

## Bari Rehab Platform 3™



*Technical Manual*

Doc. #: \_\_\_\_\_

Rev. Date: \_\_\_\_\_

Rev.: \_\_\_\_\_

**Sizewise**®  
Designed to heal

# **Table of Contents**

Definitions and Symbols .....	5
Definitions .....	5
Symbols .....	5
General Warnings and Safety Instructions .....	7
Device Information .....	8
Description of the Bari Rehab Platform 3™ .....	8
Bari Rehab Platform 3™ Specifications .....	9
Description of the SW Rest Secure System™ (RSS).....	11
SW Rest Secure System™ Specifications.....	12
RSS Control Module.....	12
RSS Hand Control.....	13
Description of the Power Drive.....	14
Power Drive Specifications .....	15
Unpacking and Set-Up Instructions .....	16
Unpacking/Parts Breakdown.....	16
Bed Set-Up.....	17
Side Rail Set-Up.....	20
Bed Operating Instructions .....	21
Hand Control .....	21
RSS Operating Instructions. ....	22
Hand Control .....	22
Basic Set-Up.....	23
Bed Exit Alarm.....	23
Scale System: Zeroing the Scale .....	24
Scale System: Adding/Removing Items .....	24
Scale System: Weight History Time Setting .....	25
Protocol: Set Alert Reminder .....	25
Protocol Timer: Sound Level Setting .....	26
Setting the Time/Date .....	26
Bed Exit Alarm: Use Alarm .....	28
Scale System: Use Scale and Access Weight History .....	29
Protocol Timer: Using the Timer .....	30
Bed Exit Alarm: Set Alert Tones.....	30

Bed Exit Alarm: Record Message.....	31
Scale System: Adjust Weight.....	31
Scale System: Change LBS/KGS Setting.....	32
Scale System: Locking/Unlocking the Unit in LBS/KGS .....	32
Power Drive Operating Instructions.....	33
Additional Driving Instructions.....	34
In Patient Cardiac Situation.....	34
Proper Use of the Bed .....	35
Reaching or Leaning .....	35
Side Rails .....	36
Transfers.....	37
Features .....	38
Casters.....	38
Connection of Electrical Components.....	39
Expandable Bed Deck.....	40
IV Pole .....	40
Manual Crank.....	40
Power Drive Control .....	41
Serial Number Location.....	41
Trapeze Assembly .....	42
Trendelenburg Disabling.....	43
Seven Zones of Bed Rail Entrapment.....	44
Safety Tips.....	46
Electrical Leakage Test Point.....	46
Acceptable Levels of Leakage Current.....	46
Electromagnetic Compatibility (EMC) .....	46
Electromagnetic Interference (EMI) from Radio Wave Sources .....	48
General Safety .....	53
Pinch Point.....	53
Transport.....	54
Cleaning Instructions.....	55
Laundry Instructions.....	59
Optional Accessories .....	60
Maintenance .....	61
Service/Replacement of Hand Control.....	62

Lubricating the Actuators.....	62
Fasteners.....	63
Storage and Disposal.....	63
Troubleshooting.....	64
Bari Rehab Platform 3™ Troubleshooting.....	64
SW Rest Secure System™ Troubleshooting.....	65
Power Drive Troubleshooting .....	66
Touchpad Flash Codes .....	66
Technical Information .....	67
Safety.....	68
Assemblies.....	69
Wiring Diagrams.....	104
Rest Secure System Technical .....	110
Warranty Information .....	143
Limited Product Warranty .....	143
Manufacturer Disclaimer.....	148



# Definitions and Symbols

## Definitions

Throughout this manual different type fonts and symbols are used to aid user readability and understanding of the content. Below are some examples.

**Standard Text:** Used for regular Information.

**Bold Face Text:** Emphasizes a word or phrase.

**NOTE:** Sets apart special information or important instruction clarification.

## Symbols








**Electrical Shock Hazard Warning:** This symbol is intended to alert the user to the presence of electrical shock hazards. It's important to follow all instructions and special procedures to avoid electrical shock to the operator, care provider and/or patient.




**Warnings/Cautions:** This symbol is intended to alert the user to the presence of important operating, maintenance or servicing instructions. Disregarding a warning could result in patient and/or user injury as well as damage to equipment.

 <b>Warning/Attention</b>		
Read and fully understand manual before operating. Failure to follow operating instructions could result in death or serious injury.		Lisez et comprenez entièrement le manuel avant utilisation. Le non-respect des instructions d'utilisation peut entraîner la mort ou des blessures graves.
27008710, Rev. 1.0		

## Manufacturer's Label

<b>Sizewise</b> Manufacturing	Class I Electrical Equipment	ETL CLASSIFIED  US Intertek 3107769	 MDR Class I Device		 Type B	<b>Model:</b> <b>Serial #:</b> <b>Manufacture Date:</b> <b>Duty Cycle:</b> <b>Weight Capacity:</b> <b>Electrical Rating:</b>	 (01)000000000000(21)246195
Legal Manufacturer: Raye's, Inc. d/b/a Sizewise Manufacturing 500 Commerce Pkwy, Hays, KS 67601		<b>Medical Electrical Equipment</b> Conforms to: AAMI std. ES60601-1, IEC std. 60601-2-52 Certified to: CSA std. C22.2 No. 60601-1					
27008623 Rev. 1.0							

Type B  Symbol for Type B applied parts indicating protection provided against electrical shock.



The pinch point is spacing between movable parts of the device which, in positions of normal use fail to maintain a clearance of  $\leq 8\text{mm}$  (0.315”) or  $\geq 25\text{mm}$  (0.984”).

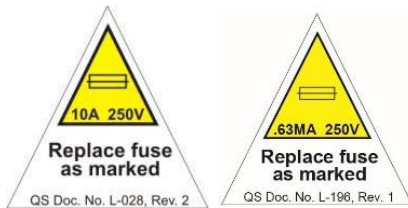


Protective Earth Terminal Grounding symbol. It is placed at the equipment earth ground point and is mandatory for all grounded equipment.



AP- Anesthetics Proof  
For medical equipment intended for use in ordinary locations but likely to be brought into the operating or delivery room.

Located on the ECM



Located on the ECM

**ELECTRIC SHOCK HAZARD**  
DO NOT REMOVE COVER. REFER SERVICING TO QUALIFIED SERVICE PERSONNEL. DISCONNECT POWER SUPPLY BEFORE SERVICING.  
**BEFORE CONNECTING READ INSTRUCTIONS.**  
GROUNDING RELIABILITY CAN ONLY BE ACHIEVED WHEN THE EQUIPMENT IS CONNECTED TO AN EQUIVALENT RECEPTACLE MARKED: HOSPITAL ONLY or HOSPITAL GRADE.

QS Doc. No. L-028, Rev. 3



The hazards and warnings are indicated on the shipping container by this label.

## General Warnings and Safety Instructions



**WARNING:** The bed is to be used in accordance with each facility's policies and procedures.

For user and patient safety, read and follow all warnings and instructions that apply to use of the Bari Rehab Platform 3™. Before using this bed, the user must know what to do to ensure safety.

Put the patient at ease. The care provider should communicate with the patient by telling them what they are planning to do.

Work with the patient's doctor, nurse or therapist to learn safe methods best suited to the care provider's abilities and those of the patient.

Always use good posture and proper body mechanics. When possible use assistive safe patient handling devices, if necessary to manually lift or support the patient, bend knees slightly and keep back as upright and straight as possible.

Failure to follow the set-up instructions could result in patient or user injury as well as damage to equipment or other property.

Use only parts, accessories and adapters authorized by the manufacturer.

Many of the screws and bolts used in the bed are special high-strength fasteners. Contact an authorized Sizewise technician to assist in finding the correct fasteners. If improper fasteners are used, they could result in patient and/or user injury as well as damage to equipment or other property.

Only authorized personnel should engage in the troubleshooting process. Troubleshooting by unauthorized persons could result in personal injury or equipment damage.

Do not attempt to install, perform maintenance, or use this product without first reading and understanding these instructions and accompanying documents such as, the User Manual, Technical Manual, and Work Instructions. If you do not understand these instructions, or documents referenced, contact Sizewise at 1-800-814-9389.

Do not attempt to install, repair, or remove the trapeze, single pole patient assist, or any other overhead components/devices while bed is occupied.

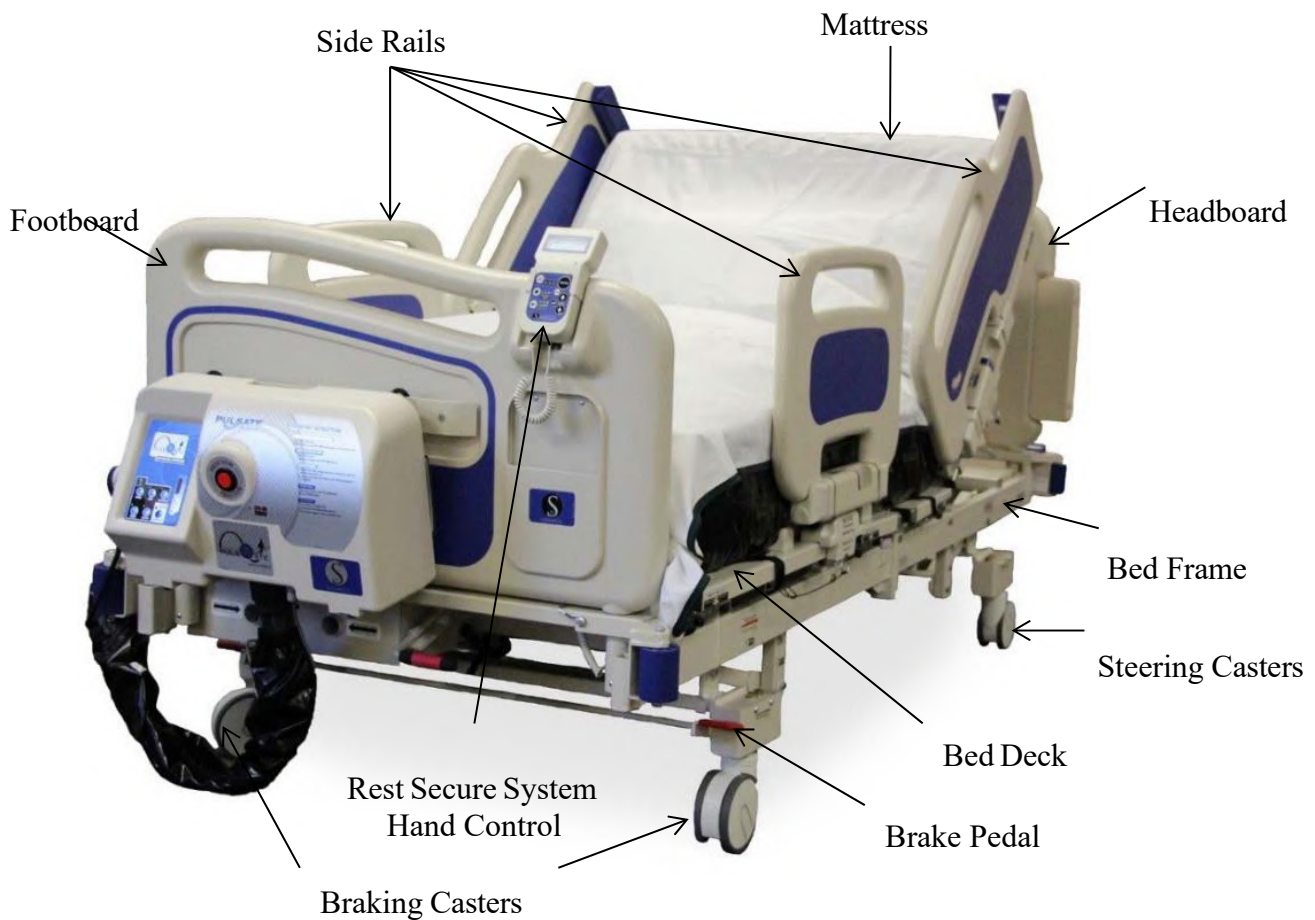
Before positioning patient on bed, verify all components are secure after adjustments, repairs, or servicing of the trapeze, single pole patient assist, or any other overhead components/devices.

Use only parts, accessories and adapters authorized by Sizewise.

# Device Information

## Description of the Bari Rehab Platform 3™

The Bari Rehab Platform 3™ is an electric bed. Its purpose is to support patients who have problems requiring specialized positioning for their rehabilitation. The positioning nature of this bed also provides care providers convenience in attending to the patients. The frame is constructed entirely from metal and is adjustable in height from a low position of 15.75” (39 cm) to a high position of 30” (76 cm). The frame is designed to support a safe working load of up to 1,000 lbs. (453 kg). The bed is standard equipped with four 5” heavy-duty casters, headboard and footboard, a manual emergency crank, four electric drive modules, a set of four side rails and a hand control. Options include Trapeze, Line Management, O2 Holder, Pillow Speaker, Power Outlet (6), HL7 EMR Connectivity, IV Pole Holder and Low Air Loss Mattress.



## **Bari Rehab Platform 3™ Specifications**

Quality Assurance Standards .....	EC 60601 CSA C22.2 No. 601.1 IEC/EN 60601-2-52 IEC/EN 60601-1 IEC 60601-1-2
Degree of Protection Against Electric Shock.....	Type B
Degree of Protection Against Ingress of Water .....	PX4
Electrical Rating.....	115VAC 60Hz, 7.6 amps (US model) 230VAC 50/60Hz, 7.6 amps (non-US models)
Duty Cycle .....	5 Min ON / 10 Min OFF Cycle (US model) 4 Min ON / 10 Min OFF Cycle (non-US models)
Fuses.....	10 amp time delay
Overall Width – 39” / 99 cm.....	41.5” / 105.5 cm
48” / 122 cm .....	50.5” / 128.5 cm
Overall Length – 80” / 203 cm.....	96” / 244 cm
86” / 218.5 cm .....	102” / 259 cm
Length – Regular.....	84.5” / 215 cm
Extra Tall .....	90.5” / 230 cm
	(Between Head & Footboard)
Deck Low (without mattress).....	15.75” / 39 cm
Deck High (without mattress).....	30” / 76 cm
Trendelenburg .....	15°
Reverse Trendelenburg.....	-15°
Head Section .....	64°
Knee Section .....	35°
Foot Section .....	10°
	(Angles have a ± 2° variance)
Under Bed Clearance .....	8”
Bed Weight –.....	39” / 99 cm Expandable (48” / 122 cm) 560 lbs. / 254 kg.
	(Weight depends on options on the bed)
Optional IV Pole Weight.....	3 lbs. / 1 kg.
Optional Trapeze Weight .....	80 lbs. / 36 kg.

Safe Working Load – Bed ..... 1000 lbs. / 453 kg.  
Optional IV Pole ..... 50 lbs. / 22 kg.  
Optional Trapeze ..... 850 lbs. / 385 kg.

*(Exceeding these limits will void the warranty)*



**WARNING:** Exceeding the weight capacity and/or safe working load listed in the specifications could result in patient or user injury as well as damage to equipment or other property.

### **Description of the SW Rest Secure System™ (RSS)**

The purpose of the SW Rest Secure System™ (RSS) is to alert the care provider that a patient is attempting to exit the bed or is in an immediate risk of falling in settings where continuous surveillance of a patient is not possible. This is achieved by precisely monitoring a change in patient position. When the patient makes an attempt to get out of bed an alarm will sound either at the hand control or activate the nurse call signal.

The SW Rest Secure System™ also has an integrated scale that utilizes a transducer based system to accurately record the weight of the patient while in the bed. It also has the capability to record the weight automatically every day for 30 days at user-defined intervals.

Another feature is the protocol timer, which can be set for 1, 2 or 4 hours, to alert the care provider that the patient needs attended to or checked on. It has the capability to alert the care provider by an audible tone or activating the nurse call signal.



## **SW Rest Secure System™ Specifications**

### **RSS Control Module**

The RSS Control Module is located under the bed.

#### **Housing**

Material ..... ABS, UL94-V0 rated  
Width..... 7.25” / 18.5 cm  
Length ..... 3.25” / 8.5 cm  
Thickness..... 2.00” / 5 cm

#### **Connectors**

Power ..... 2.1 mm Center Positive  
Load Cell ..... 6 pin RJ12  
Nurse Call..... DB-15P  
CAN Network ..... 6 pin RJ12

#### **Nurse Call**

Open ..... 0 Ohms  
Alarm ..... 0.3 Ohms  
Output..... VRMS Max

#### **External Power**

AC Adapter ..... 12.0 Volts DC, Medical Grade supply  
Current..... 800 mA, 1.25 A

#### **Battery Power**

Type..... 6V SLA  
Capacity..... 3.5 AH  
Recharge Time ..... fully discharged, 12-15 hours  
Operating Time..... (No Alarms) 8 hours

#### **Operating Current**

Normal..... 300-450 mA  
Charging..... 600 mA  
Alarming ..... 320 mA

#### **Weighing Function**

Resolution..... 1 lb. / 0.45 kg.  
Weight Stability..... ± 1 lb.  
Averaging ..... 16 samples/ 1.6 seconds



**WARNING:** Any change to the specifications can result in malfunction or damage to the SW Rest Secure System™.



## **RSS Hand Control**

The RSS Hand Control is located on the footboard.

### **Housing**

Material ..... ABS, UL94-V0 rated  
Width.....3.50” / 8.9 cm  
Length .....7.00” / 18 cm  
Thickness..... 1.75” / 4.5 cm

### **Connectors**

CAN Network ..... 6 pin RJ11

### **Operating Current**

Normal..... 54-160 mA  
Alarming ..... 150 mA

### **Audio**

Record Memory.....4 Megabits  
Voice Record Alarm Time ..... 15 seconds  
Sound Level ..... 90 dB @ 12 inches (30.48 cm)  
Tones ..... 5 selectable tones

### **Display**

Type..... LCD Graphic, blue LED backlighting  
Size..... 64 mm x 17.9 mm (2.52” x .705”)  
Resolution.....32 Pixels

### **Functions**

Bed Exit Alarm Sensitivity Levels ..... Off, Low, Medium, High  
Protocol Timer Alarm..... Off, 1, 2, 4 Hours  
Sound Volumes ..... Off, Low, Medium, High  
Scale ..... 0-1000 lbs. / 0-453.5 kg.  
Scale Accuracy\* ..... +/- 4 lbs.

\*Scale accuracy can only be achieved by proper factory calibration.



**WARNING:** Any change to the specifications can result in malfunction or damage to the SW Rest Secure System™.

## Description of the Power Drive

The Power Drive 360 is an assistive device for the movement of the bariatric bed easing the transport of patients. The device is battery powered to provide complete flexibility in transport without the constraint of a power cord. The drive wheel is retractable to allow more traditional, manual movement, when desired. It is set-up so that only the care provider is able to access the controls. It is not intended, nor has the ability for the patient to use any mobility controls.



**WARNING:** Be sure to secure the patient before operating the power drive.



**CAUTION:** Bed must be in fully-lowered position before activating the Power Drive.



**WARNING:** Avoid feet in the path of the bed when using the power drive.

The power drive is powered by two 12V 26AH SLA (sealed lead acid) batteries. The drive includes a charging system to recharge the batteries, when necessary. Before charging, ensure that the Master Power Switch on the battery charger is set to the ON position. To charge the batteries, plug the cord into a grounded or hospital grade outlet. A maximum charge time of 12 hours is recommended, although a full charge may be complete in 2-4 hours. For long-term storage of a bed, place the Master Power Switch in the OFF position.



**Power Drive Specifications**

The Power Drive is located on the patient head center of the bed.

**Battery Power**

Type..... (2) 12V SLA (Sealed Lead Acid)  
Capacity.....26 AH  
Recharge Time ..... (recommended maximum) 12 hours  
Operating Time .....2 hours\*

**Operating Current**

Normal..... 13 Amps  
Charging.....2.6 Amps  
Alarming ..... Battery Charge indicator on Touchpad

\* Operating time may vary depending on the patient load and options the bed is equipped with.

## Unpacking and Set-Up Instructions

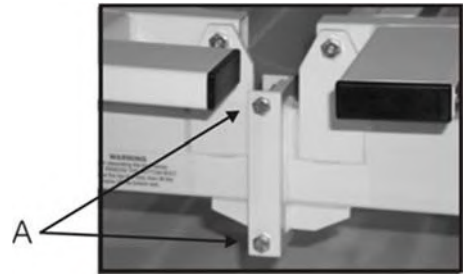
### Unpacking/Parts Breakdown

Inspect for any signs of freight damage. If obvious damage is detected, contact the freight company and file a damage complaint. It may be necessary to take pictures of the damage. After visual inspection make sure all of the proper components have been received.

Items enclosed in the box:

- Bed Frame Head Section
- Bed Frame Foot Section
- Headboard
- Footboard
- Power Cord
- Hand Control
- Hand Crank
- Side Rails with Mounts (4)
- Foot Rail (Mattress Stop)
- Power Drive
- Information Packet
- Assembly Bolts\*

\*The bed requires four bolts, two on each side, as indicated (A) to connect the head and the foot mainframe sections together. The bolts must be 5/16"-18 x 2 1/2" long Grade 8 Hex Head Cap Screws. There are no exceptions or substitutions to this requirement. Sizewise part number is 27001204.



Tools required for assembly:

- Phillips Screwdriver
- 3/16" Allen Wrench
- 7/32" Allen Wrench
- 2-1/2" Combination Wrench

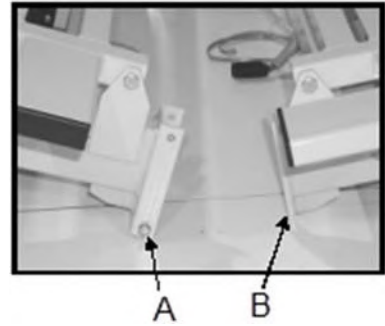
DO NOT discard any packing material until all components are accounted for and are in good condition.



**WARNING:** Failure to follow the set-up instructions could result in patient or user injury as well as damage to equipment or other property.

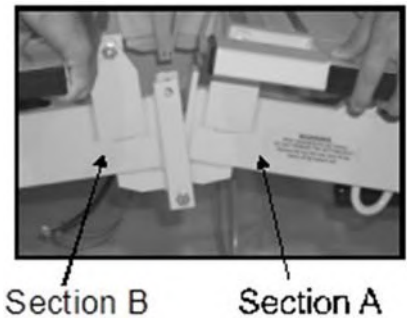
## **Bed Set-Up**

1. Position both ends of the bed so that the sections are lined up with each other.



2. Insert a 5/16"-18 x 2 1/2" long Grade 8 bolt (A) in the bottom holes, 2 places. Lift both sections of the bed and insert the brackets (B) on section A, behind the bolts on section B. Slowly lower the two sections.

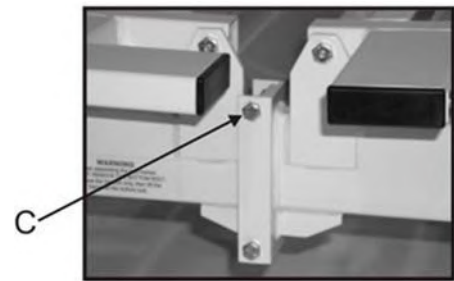
**NOTE:** For ease of assembly it may be necessary to have two people assemble the bed.



3. Install the 5/16"-18 x 2 1/2" long Grade 8 bolts (C) through the top holes on the brackets to lock the two sections together. Install and tighten the nuts on the 4 bolts.



**WARNING:** Failure to securely fasten the four bolts in place during bed set-up could result in patient or user injury as well as damage to equipment or other property.



4. Locate the headboard and footboard; mount them on their respective posts.

The headboard mount should be bolted onto the bed frame on the outer receptacles.

The footboard mount should be bolted onto the bed frame on the inner receptacles.



Headboard



Footboard

5. Locate the electrical connectors in the middle of the bed frame and insert them together.



6. Next, plug the small modular connectors into the black box mounted on the center frame.



7. Locate the Electronic Control Module (ECM) at the head end of the bed. Connect the hospital grade power cord provided and the hand control cord to the ECM.



8. The hand control for the bed is routed to the center of the bed and should be routed to exit the bed either on the left or the right side, hanger hooks are provided to secure the cable from the floor.



9. Install the mattress stop bar/rail.

Carefully remove the protective covering from the mattress. Slide the mattress onto the bed frame.

**NOTE:** DO NOT use a sharp object to cut protective covering on the mattress as you may damage the mattress covering.



10. Position the bed at least 12” (30.5 cm) from any walls. This will prevent any damage to the walls while the bed is in movement.

11. Lock the casters into their proper position as indicated by the stickers located near the casters on the bed.

**NOTE:** This step is imperative. The bed may fail if the casters are not placed in the proper position prior to use.

12. Plug the bed into a grounded or hospital grade outlet.  
Locate the “ON/OFF switch on the ECM and switch it to the “ON” position.

On/Off Switch



**WARNING:** To avoid electrical shock when plugging this bed into the wall outlet, only use grounded or hospital grade outlets.



**WARNING:** Follow EMC guidelines and safety precautions when the bed is connected to powered source (page 47).

Radio wave sources such as radio stations, TV stations, amateur radio (HAM) transmitters, two-way radios and cellular phones can affect this bed. Following the warnings listed for electromagnetic interference should reduce the chance of the bed’s unintended movement that could result in serious injury.

## Side Rail Set-Up



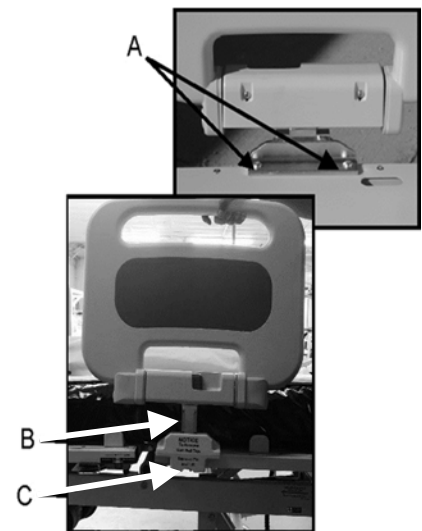
**WARNING:** It is recommended to have the side rails upright at all times while the patient is in the bed. However, the ultimate decision lies with the medical personnel who are on site and can fully evaluate all factors.



**WARNING:** If the side rails are not secured in the proper place, entrapment to the patient may occur. Bed rail entrapment is a serious health risk that can result in serious injury or even death. Sizewise recommends the care provider be mindful of the FDA guidelines relevant to bed rail entrapment, as serious injury can result. These guidelines can be found on the FDA website. It is the care provider's ultimate decision whether or not to use bed rails with the patient.

### **To Mount:**

1. Align the side rail mount with the two pre-drilled holes (A), located toward the center of the top deck, and place the bolts through the holes.
2. Place the nut on the bolt underneath the deck and tighten.
3. Slide the side rail into the mount (B).
4. Place the pin and lanyard (C) below the mount to secure the side rail.



**NOTE:** Side rails for the head section are side specific. Verify the angle indicators are facing toward the outside of the bed.



**WARNING:** A fall may occur if side rail bolts are not secured properly, or not in place, causing harm to the patient and/or care provider.



# Bed Operating Instructions



**ELECTRICAL SHOCK HAZARD WARNING:** Electrical shock or malfunction may occur if the hand control cord is pinched or frayed. Keep the cord away from moving parts.



**WARNING:** Once the bed is positioned correctly, lock casters. Failure to do this could result in patient and/or user injury as well as damage to equipment or other property.

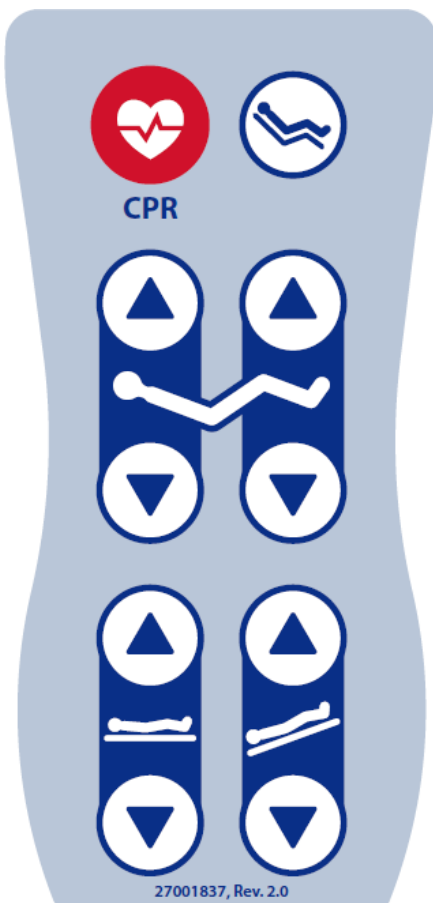


**WARNING:** To avoid and reduce risk of a tripping injury to the patient and/or care provider, align the casters with the bed.

## Bed

1. Ensure bed is connected to power.
2. Locate switch on ECM which is located at the head end of the bed.
3. Switch to ON position.
4. Functions are available with the use of the Hand Control.

## Hand Control



CPR button



Cardiac Chair



Bed Up



Anti-Trendelenburg

Bed Down

Trendelenburg

Head Section Up











Foot Section Up


Head Section Down

Foot Section Down

**RSS Operating Instructions**  
**Hand Control**





- 
Bed Exit Sensitivity Off
- 
Bed Exit Sensitivity High (+/- 4lb.)
- 
Bed Exit Sensitivity Medium (+/- 9 lb.)
- 
Bed Exit Sensitivity Low (+/- 50 lb.)
- 
Volume Sound Level Off
- 
Volume Sound Level User Selectable Low, Medium, High
- 
Protocol Timer Off
- 
Protocol Timer User Selectable 1hr, 2hrs, 4hrs

 Bed Exit Sensitivity Adjustment button


 Enter button


 Toggle Menu Up Arrow

 Protocol Timer Adjustment button

 Zero button

 Toggle Menu Down arrow

 Sound Level Adjustment button

 Back button

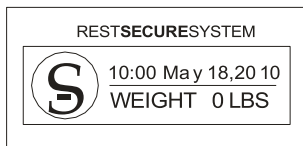
## **Basic Set-Up**



DO NOT use the SW Rest Secure System™ if the power cord is cut, frayed or loosely connected to the bed.

Make sure the unit is plugged into AC power and the hand control is connected to the bed's footboard. The Nurse Call Interface cable at the head of the bed should be securely plugged into the Nurse Call Interface on the wall to function properly. Press the enter button to activate the hand control.

The first photo shows the unit operating on AC power. The second photo shows the unit operating on battery reserve power with full charge. The third photo shows the battery reserve with 15% charge.



AC Power



Battery 100% Charge



Low Battery Warning

The unit will go into standby after 60 seconds of inactivity. If this occurs press any button, except back, to resume.

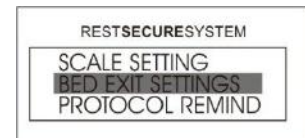


**CAUTION:** To ensure reliable functionality, the battery reserve should only be used as a temporary power source until AC power is restored. When the Low Battery Warning screen is shown, the unit should be plugged into AC immediately. It takes 24 hours for the battery to fully charge/recharge.

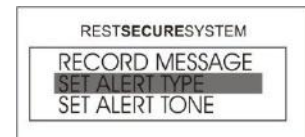
## **Bed Exit Alarm**

The nurse call is always active no matter what selection is made. When selecting nurse call only, the audio alert will be disabled in the room. This unit will chime on an alarm if a voice message has not been recorded and the unit is set to Voice Recording.

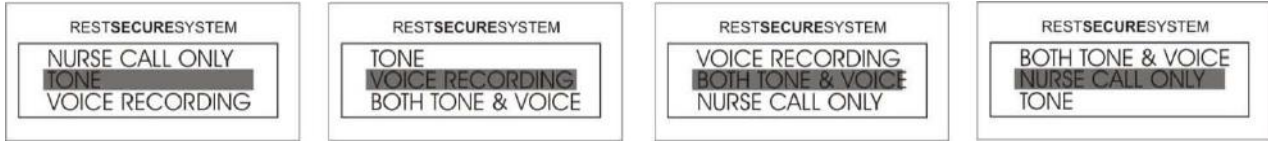
1. Access the Menu by pressing the UP or DOWN arrow until Bed Exit Settings is highlighted and then press ENTER.



2. Select Set Alert Type and then press ENTER



- Choose one of the four alert types and then press ENTER. The selection has now been made and the user will be returned to the Home Screen.



**Scale System: Zeroing the Scale**

With the patient out of the bed, press and hold the ZERO button for 3 seconds. This process sets the tare weight (base weight) and will return to the Home Screen when complete.



With the tare weight set, the patient may now be placed in the bed and begin recording weight.

**NOTE:** Make sure all equipment and linens are on the bed before zeroing the scale. If an air support mattress is being used with the patient, be sure to fully inflate the mattress prior to zeroing the scale. Adding or removing items during the zeroing process will cause inaccurate patient weight. It is highly recommended that the scale be zeroed before each new patient.

**Scale System: Adding/Removing Items**

The feature will allow items to be added and removed such as blankets or pillows from the bed without affecting the current weight reading of a patient.

- Access the Menu by pressing the UP or DOWN arrow until ADD/REMOVE ITEMS is highlighted and then press ENTER.



- Press ENTER to add/remove items from the bed.



- Change the items on the bed and press ENTER when complete. The user will now return to the Home Screen.

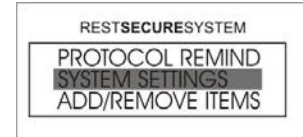


**NOTE:** If steps 2 and 3 are not completed within 30 minutes then the unit will automatically exit the Add/Remove Items screen and return to Standby.

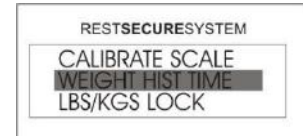
### Scale System: Weight History Time Setting

The SW Rest Secure System™ is designed to record the weight of the patient by date and time. The unit will automatically record the weight for 30 days at a default time of 00:00 hours (midnight).

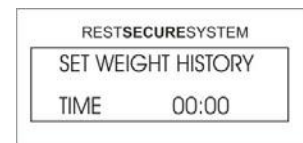
1. Access the Menu by pressing the UP or DOWN arrow until SYSTEM SETTINGS is highlighted and then press ENTER.



2. Select WEIGHT HISTORY TIME and then press ENTER.



3. Using the arrows, select the time desired for the unit to record a weight and then press ENTER. The user will return to the Home Screen.

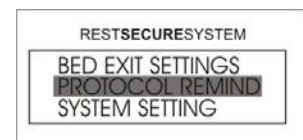


**NOTE:** Time must be set in 24-hour clock in 1/2 hour intervals. Example: 13:00 = 1:00 pm

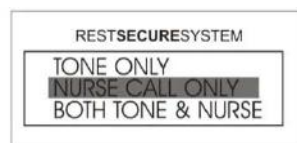
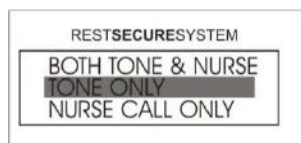
### Protocol: Set Alert Reminder

The protocol reminder is a timer that can be set for 1, 2 or 4 hours as a reminder that the patient needs to be attended to or checked on. There are three alert settings for the protocol alarm.

1. Access the Menu by pressing the UP or DOWN arrow until PROTOCOL REMIND is highlighted and then press ENTER.



2. Choose from one of the three alert types and then press ENTER. The selection has now been completed and the user will be returned to the Home Screen.

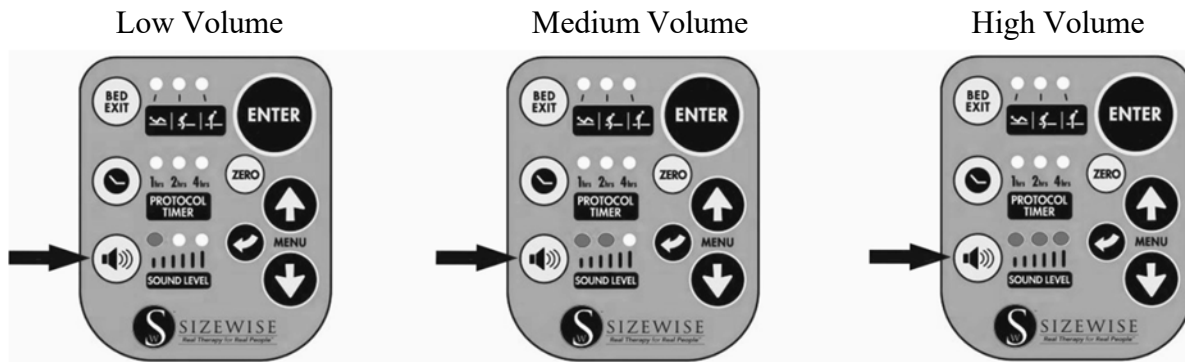


**NOTE:** The protocol audible tone is specific and is unchangeable to ensure differentiation between a bed exit alarm and a protocol alarm. The protocol alarm will have short frequent beeps.

### **Protocol Timer: Sound Level Setting**

There are 3 sound levels for the bed exit alarm/protocol reminder.

Press the sound level button once for low volume, twice for medium volume, and a third time for high volume. By pressing the sound level button for a fourth time, the sound level will be reset to low volume.



**NOTE:** When the bed exit alarm and protocol timer are disabled, the sound level indicator lights will be OFF. This indicates that the sound level has been disabled.

### **Setting the Time/Date**

1. Access the Menu by pressing the UP or DOWN arrow until SYSTEM SETTINGS is highlighted and then press ENTER.



2. Select SET TIME/DATE and then press ENTER.



3. Using the UP or DOWN arrow, the user can now set the hours and then press ENTER. The time must be set in 24-hour clock. (13:00 = 1:00 pm)



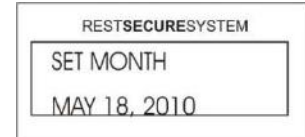
4. Using the UP or DOWN arrow, the user can now set the minutes and then press ENTER.



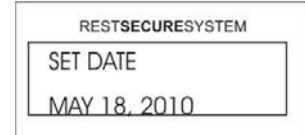
5. Using the UP or DOWN arrow the user can set the seconds and then press ENTER. This is an optional setting and may be bypassed by pressing ENTER.



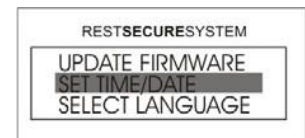
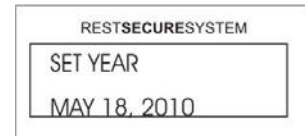
6. Using the UP or DOWN arrow the user can set the month and then press ENTER.



7. Using the UP or DOWN arrow the user can set the date and then press ENTER.



8. Using the UP or DOWN arrow the user can now set the year and then press ENTER. After pressing ENTER the user will return to the SET TIME/DATE menu. To get back to the Home Screen, press and hold the BACK button for 3 seconds.



### **Bed Exit Alarm: Use Alarm**

The bed exit alarm function on the SW Rest Secure System™ alerts the care provider that a patient is attempting to exit the bed or is in an immediate risk of falling. This is especially important in settings where continuous surveillance of the patient is not feasible.

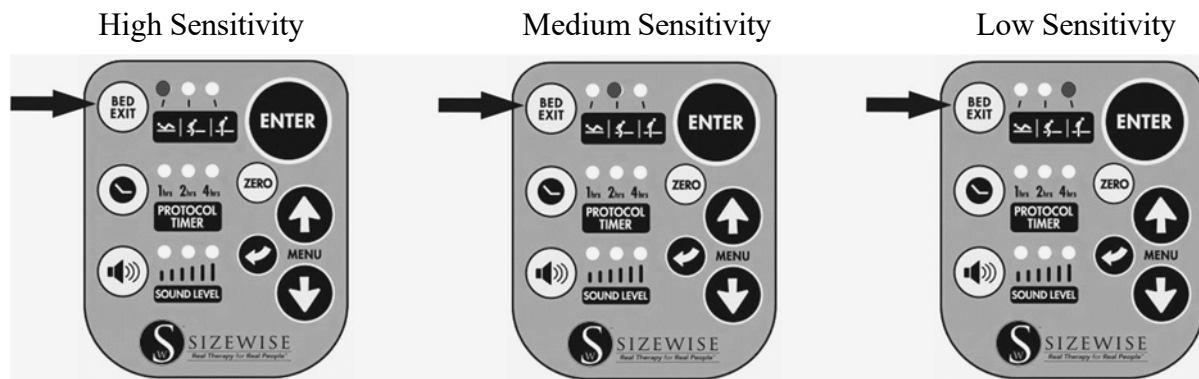


**WARNING:** The bed is to be used in accordance with each facility's policies and procedures.

There are 3 bed exit alarm sensitivity settings:

- High Sensitivity: Detects patient movement, typically this setting would be used by the care provider when needing to be notified of any movement, generally patients at very high risk for falls.
- Medium Sensitivity: Detects a patient attempting to exit the bed, typically this setting would be used by the care provider in situations where the patient is at a moderate to high risk for falls.
- Low Sensitivity: Detects when a patient has exited the bed. This setting would typically be used by the care provider in situations where the patient responds to verbal or audible commands and is at a lower risk for falls. If the patient is on an air support surface a lower sensitivity setting may be more appropriate as well.

**NOTE:** High and medium sensitivity settings may detect other movement, such as air therapy mattresses.



### **To set the bed exit alarm:**

In order to set the bed exit alarm, the patient must be in the bed prior to selecting the desired sensitivity level. To set the alarm, press the BED EXIT button until the desired sensitivity is selected. When there are no indicator lights on, the alarm is disabled. When a bed exit alarm has been activated, simply press the ENTER button to reset the alarm and the monitoring process will be restored.

**NOTE:** The bed exit indicator light will blink for 10 seconds before the alarm will activate. Upon activation, the indicator will stay on. The bed exit alarm can only be activated with a minimum of 35 lbs. (16 kg.) on the bed.



### **Scale System: Use Scale and Access Weight History**

The SW Rest Secure System's integrated scale helps reduce the risk of care provider or patient injury by allowing care providers to accurately record the weight of the patient without having to transport or move the patient each time the weight is needed. The scale system is set to weigh and record the patient's weight automatically at midnight every day up to 30 days. This bed offers care providers convenience in attending to the patient.

Before a patient is placed into the bed, the scale should be zeroed out. See the section Unpacking and Set-Up Instructions Scale System: Zeroing the Scale on page 25.

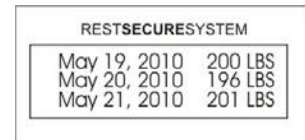
1. Access the Menu by pressing the UP or DOWN arrow until SCALE SETTINGS is selected and then press ENTER.



2. Select WEIGHT HISTORY and then press ENTER.



3. Using the arrows, the user can toggle through the last 30 days of history. Press the BACK button twice to return to the Home Screen.



**NOTE:** The unit will only store the last 30 days of weight history. When the memory is full, it will begin replacing the older weight history readings first.

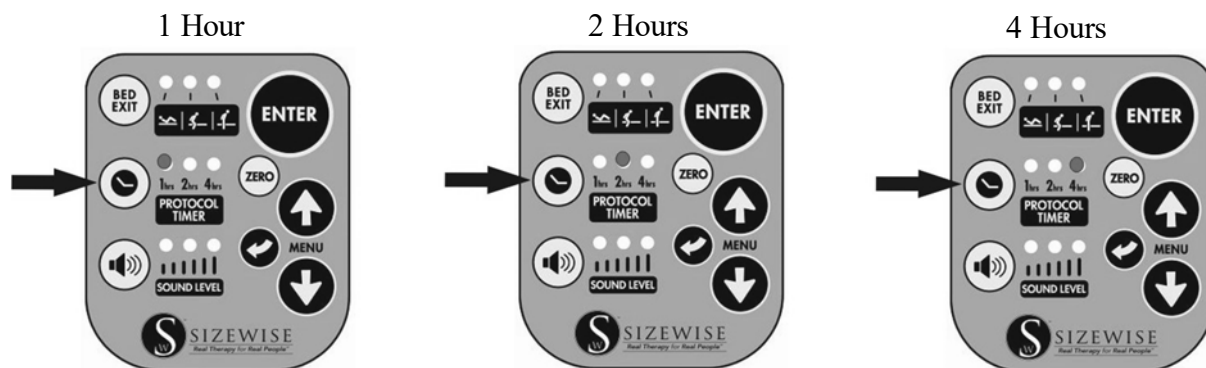
### **Protocol Timer: Using the Timer**

The SW Rest Secure System™ protocol timer can be utilized to alert the care provider that the patient needs to be attended to or checked on at intervals of 1, 2 or 4 hours. The protocol timer has the capability to alert the care provider by an audible tone on the unit and, if connected to the Nurse Call Interface, can activate the nurse call signal.



**WARNING:** The bed is to be used in accordance with each facility's policies and procedures.

Press the PROTOCOL TIMER button once to set the timer to 1 hour, press it twice to set the timer to set to 2 hours, press it three times to set to 4 hours. By pressing the PROTOCOL TIMER button a fourth time, the timer will be disabled and no indicator lights will be lit. When a protocol alarm has been activated, simply press the ENTER button to reset the alarm and repeat the timing process.



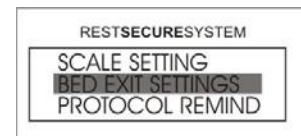
**NOTE:** On alarm, the unit must first be reset by pressing ENTER before the protocol timer can be changed.

The sound level on the protocol timer can be changed, see the section Unpacking and Set-Up Instructions Protocol Timer: Sound Level Setting on page 27 to learn how.

### **Bed Exit Alarm: Set Alert Tones**

There are 5 different audible alarm tones for the bed exit alarm. The user will hear each of the different tones as they scroll through the 5 selections.

1. Access the Menu by pressing the UP or DOWN arrow until Bed EXIT SETTINGS is highlighted and then press ENTER.
2. Select SET ALERT TONE and then press ENTER.
3. Using the arrows, select one of the 5 tones and then press ENTER. The selection has now been completed and the user will return to the Home Screen.

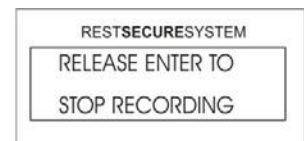
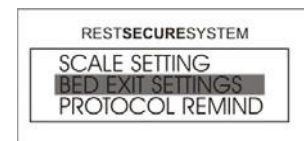


### **Bed Exit Alarm: Record Message**

The Bed Exit Menu will allow you to change the alert type, alert tone, and also let you record a message to the patient so they are not startled by the tones of the bed exit alarm. This unit is also equipped with a Nurse Call Interface which will activate the nurse call whether the unit is set to alert tone or voice message.

**NOTE:** The unit must be connected to the interface in order for the nurse call to activate.

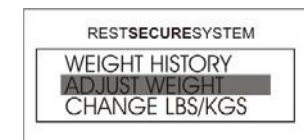
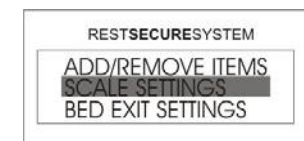
1. Access the Menu by pressing the UP or DOWN arrow until BED EXIT SETTINGS is highlighted and then press ENTER.
2. Select RECORD MESSAGE and then press ENTER.
3. Press and hold the ENTER button until the user hears a series of beeps. With the ENTER button still pressed, the user may begin to record a message by speaking directly into the microphone. The message can be recorded for a maximum length of 15 seconds.
4. When the recording is finished, release the ENTER button and follow the on-screen prompts.



### **Scale System: Adjust Weight**

This feature is designed to manually adjust the weight if items were added to the bed without using the Add/Remove option. The user will need to make sure the patient's weight is known before using this option.

1. Access the menu by pressing the UP or DOWN arrows until SCALE SETTINGS is highlighted and then press ENTER.
2. Select ADJUST WEIGHT and then press ENTER.
3. Adjust the weight that is added or removed from the bed in 0.5 lb. increments using the up or down arrow and then press ENTER. The user will now return to the Home Screen.

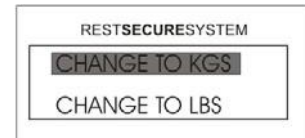


**NOTE:** The adjusted weight will return to 0.0 lb. when zeroing the scale as shown in the section Unpacking and Set-Up Instructions Scale System: Zeroing the Scale on page 25.

### **Scale System: Change LBS/KGS Setting**

This feature will allow the user to display the patient's weight in either pounds (lbs.) or kilograms (kg.). The default for patient weight display is pounds (lbs.). This unit has a LBS/KGS Lockout feature to prevent an accidental change of units (see the section Rest Secure Operating Instructions section on Scale System: Locking/Unlocking the Unit in LBS/KGS on page 33 for instructions).

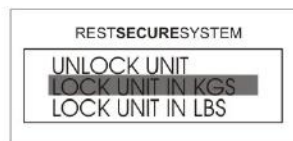
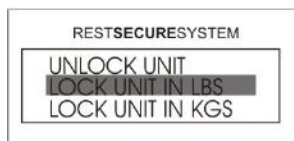
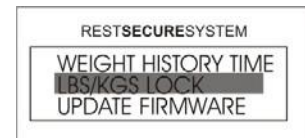
1. Access the menu by pressing the UP or DOWN arrows until SCALE SETTINGS is highlighted and then press ENTER.
2. Select CHANGE LBS/KGS and then press ENTER.
3. Select CHANGE TO KGS or CHANGE TO LBS and then press ENTER.
4. The unit will return to the Home Screen showing the weight in kilograms or pounds dependent upon which was chosen.



### **Scale System: Locking/Unlocking the Unit in LBS/KGS**

As part of a safety feature, this unit has the ability to lock the unit of measure in lbs. or kg. This will prevent accidentally changing the units in the Scale Settings menu.

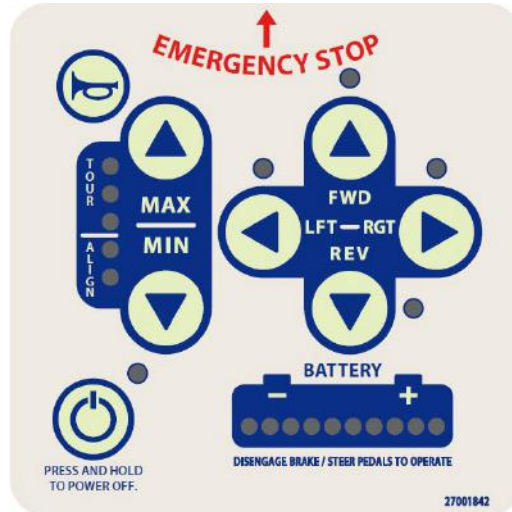
1. Access the menu by pressing the UP or DOWN arrow until SYSTEM SETTINGS is highlighted and then press ENTER.
2. Select LBS/KGS LOCK and then press ENTER.
3. Select the preferred unit of measure to lock and then press ENTER. The selection has been completed and the user will return to the Home Screen.



**NOTE:** Follow the directions in the section Rest Secure Operating Instructions Scale System: Change LBS/KGS Setting on page 33 to change between lbs. and kg.

## Power Drive Operating Instructions

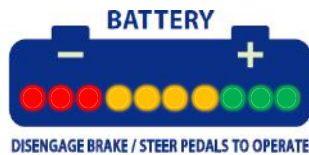
Prior to operating the power drive, read this section and heed any caution statements or warnings.



Power Button  
ON – Green LED Indicator illuminated  
OFF – Green LED Indicator off. CAUTION:  
Bed must be in fully-lowered position before activating the Power Drive



Horn Button to alert others

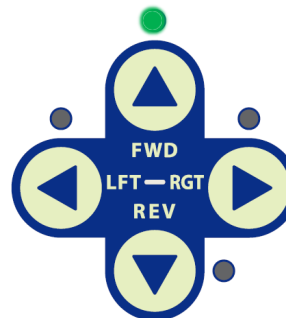


Battery Charge Level Indicator  
LED Indicators show charge level



Set speed higher  
LED Indicators show level selected

Set speed Lower  
LED Indicators show level selected



Desired direction selector  
LED Indicators show current direction selected

1. The brake pedal must be in the NEUTRAL position or the bed will not steer properly.
2. Place bed in fully lowered position.
3. Turn ON power with the ON/OFF button on the power drive control. When power is activated the drive wheel will drop to the floor.

**NOTE:** The drive will not operate while the charger cord is plugged in.



**WARNING:** Set speed control to a minimum position before engaging power drive. Failure to do so could result in patient and/or user injury as well as damage to equipment



**WARNING:** Make sure the power drive is in forward position (FWD) before engaging. Failure to do so could result in patient and/or user injury as well as damage to equipment or other property.

4. Determine direction desired by using the LFT, RGT, FWD or REV switch on the power drive.
5. Set the speed using the speed control switch. The up arrow gives more speed and power to the throttle. Use slowest setting for tight quarter maneuvers.



**WARNING:** When using the power drive set the speed that is suitable for the user's experience with the power drive. Failure to do so could result in patient and/or user injury as well as damage to the device.

6. Slowly squeeze one side of the Acceleration Control Throttle and the device will begin to move. The more you squeeze the throttle the faster it will go. To stop, release lever.

**NOTE:** If the attendant is squeezing the throttle when turning on the system the device will go to a default (Flash) mode. If this happens turn the system off (ON/OFF switch on the controls) and restart the power drive.

### **Additional Driving Instructions**

- To steer device, turn handle in direction you wish to go. In forward position, Right Direction (Clockwise), Left Direction (Counter Clockwise). Reverse position would be opposite.
- Avoid sudden sharp turns when operating at any speed over slow without training, or Loss of Control can occur.
- The power drive is designed primarily for flat surface use. Ramps, hills, etc. should be avoided if at all possible. If not avoidable, use extreme care! The power drive is NOT intended to stop or hold the patient on a declining or inclining surface.
- When going down any ramp or hill always precede handle first (reverse). Failure to observe this can result in Loss of Control. NEVER attempt to drive system with the patient in front going down.
- This device is NOT recommended in situations where the slope is greater than 1:12 (one inch in 12 inches).

### **In Patient Cardiac Situation**

Pull release knob, lift lock assembly and rotate controller assembly to the left. Remove bed headboard and administer CPR.

## **Proper Use of the Bed**



**WARNING:** Follow the instructions for assisting patients in and out of the bed to avoid a fall or injury to the patient and/or care provider.

To get in the bed, position the bed at the proper height by following these steps:

1. Lower the side rails as desired.
2. Have the patient stand next to the bed where he/she is planning to sit with the back of the patient's legs or buttocks next to the bed.
3. Using the hand control, raise or lower the entire bed, positioning the bed so the top of the mattress is even with the lower buttocks of the patient.
4. Have the patient sit on surface and recline comfortably.

This will prevent the patient from “dropping” down onto the mattress, causing stress on the center joint of the bed.

To get out of the bed, position the bed at the proper height by following these steps:

1. Using the hand control raise or lower the entire bed.
2. Firmly plant feet on the ground.
3. Have patient slowly rise to standing position.

It is not recommended to use the head or foot section functions to assist the patient in and out of the bed, damage to the bed may occur.

### **Reaching or Leaning**



**WARNING:** Reaching or leaning affects the patient's center of balance. Follow the instructions for patients reaching or leaning from the bed to avoid a fall or injury to the patient and/or care provider.

Have the patient avoid reaching or leaning over the side of the bed. Have the patient ask for help or use a device to extend his/her reach.

Never allow the patient to reach with both hands. In doing so, the patient may not be able to catch himself or herself to prevent a fall.

If the patient must reach or lean from the bed, the patient should steady himself or herself by firmly grasping a side rail with one hand.

## Side Rails

The side rails were tested to 60601-2-52 (28.4.102 and 28.4.103). These rails also have been tested and comply with patient entrapment rules and regulations (23.101). See Seven Zones of Bed Rail Entrapment section on page 45.



**WARNING:** Never try to move the bed by its side rails. The side rails may come loose or break. Move the bed by the non-detachable parts on the main frame.

The detachable side rails are not designed to bear the full weight of the patient.

It is recommended to have the side rails upright at all times while the patient is in the bed. However, the ultimate decision lies with the medical personnel who are on site and can fully evaluate all factors.

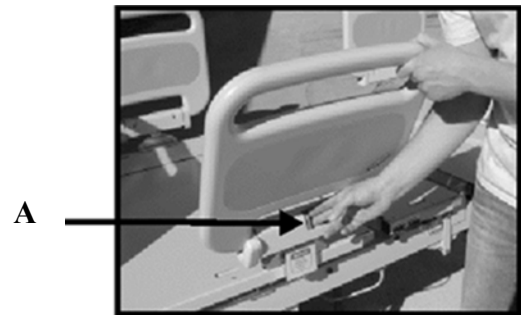
An injury may occur if the side rail pins are not secured properly, or not in place, causing harm to the patient and/or care provider.

If the side rails are not secured in the proper place, entrapment to the patient may occur. Bed rail entrapment is a serious health risk that can result in serious injury or even death. Sizewise recommends the care provider be mindful of the FDA guidelines relevant to bed rail entrapment, as serious injury can result. These guidelines can be found on the FDA website. It's the provider's ultimate decision whether or not to use bed side rails with the patient.

The side rails are intended to fold down and away from the bed. There are two positions for the side rails: upright and completely down.

To Fold Down:

With one hand, hold the top of the side rail and with the other hand push the blue button (A) inward to lower the rail.



The side rails are attached to the top deck and are designed to move with it.

To Remove:

Lock side rail in the upright position.

Remove the pin (B) below the mount. Then pull up on the side rail.





## Transfers



**WARNING:** Follow the instructions for transferring patients to avoid a fall or injury to the patient and/or care provider.

Transfers require good balance and agility and are very dangerous. The care provider should learn how to position the body and support himself or herself during a patient transfer.

The care provider should work with the patient's doctor, nurse or therapist to learn safe transfer methods.

Provide help to the patient until he or she knows what can cause a slip or fall and how to avoid doing so. Never let the patient maneuver into or out of the bed without assistance until it is confirmed that the patient can do so safely.

Position the bed at an elevation comfortable to the patient and/or care provider.

Bring the top deck to a flat position.

Lock brake and steer casters.

Lower the side rails.

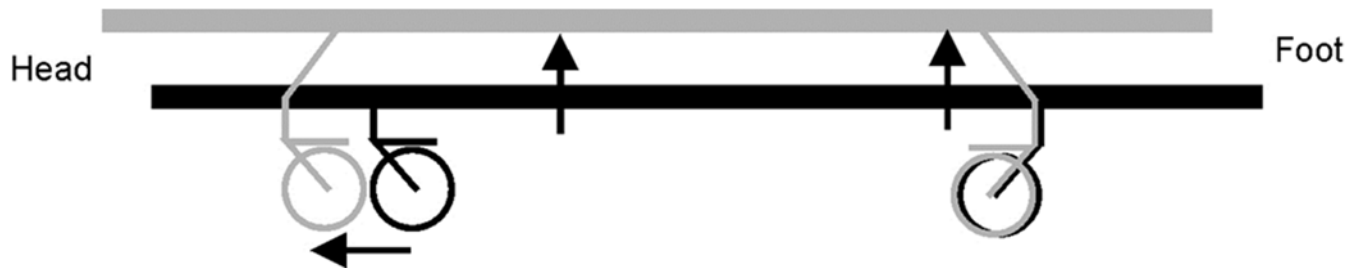
Make sure the equipment the patient is being transferred to is stable and will not slide away from the patient and/or care provider during the transfer.

# Features

## Casters

### **Head Section Casters**

At the head section there are lock and steer casters. When locked, the bed can still maneuver but the casters will not swivel, this makes them the steering casters. Press down on the pedal to lock and lift up on the pedal to unlock. When one pedal on the head section caster is pressed or lifted both head section casters will be activated. Position the bed at least 12” from any walls. This will prevent any damage to the walls while the bed is in movement.



### **Foot Section Casters**

At the foot section there are lock only casters. When locked, the bed cannot be moved. Press down on the pedal to lock and lift up on the pedal to unlock. When one pedal on the foot section caster is pressed or lifted both foot section casters will be activated.



**WARNING:** While the patient is in the bed, it is recommended to lock the casters to reduce risk of injury to the patient and/or care provider.

To avoid and reduce risk of a tripping injury to the patient and/or care provider, align the casters with the bed.

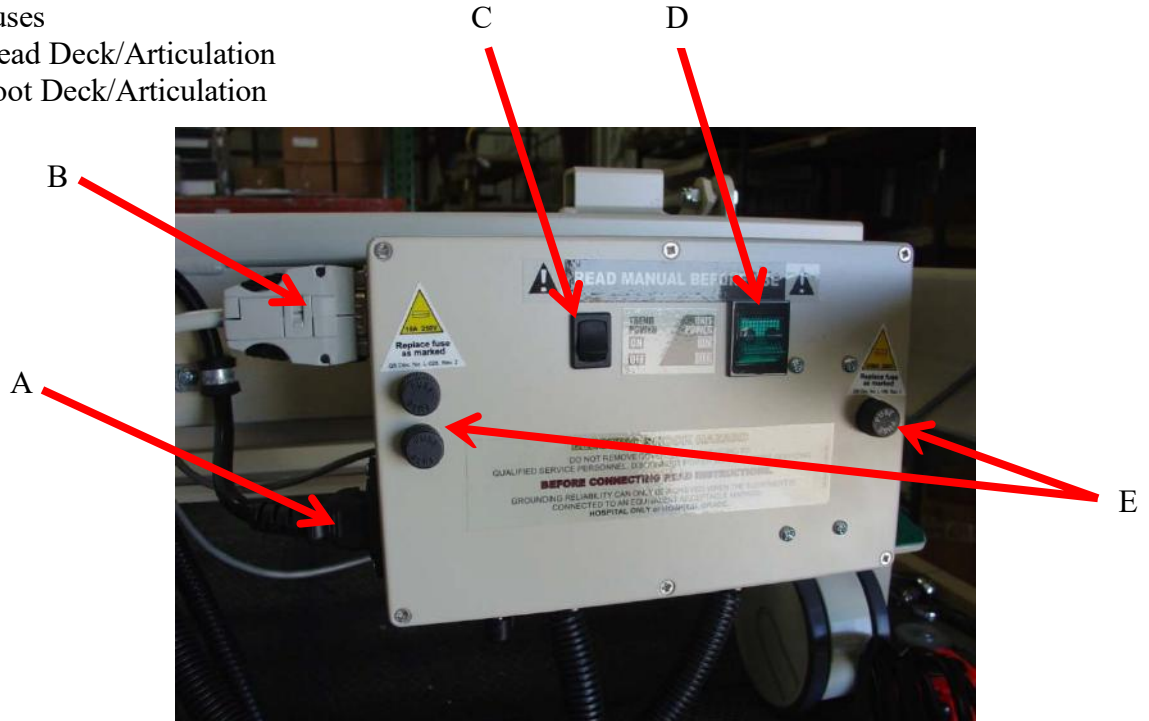
Position the bed 12” from the wall to avoid damage to equipment or other property.

## Connection of Electrical Components

Should it become necessary to remove any of the cables from the control box, the diagram below will assist in finding the appropriate cables.

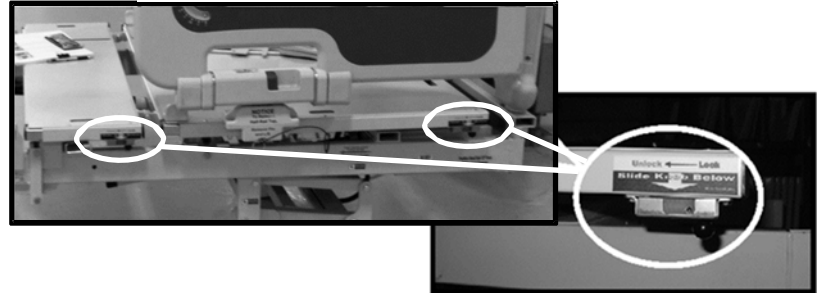
The diagram also indicates the fuse placement. If needed, replace fuses as marked.

- A. Main Power
- B. Hand Control
- C. Trendelenburg ON/OFF
- D. Main Unit Power
- E. Fuses
- F. Head Deck/Articulation
- G. Foot Deck/Articulation



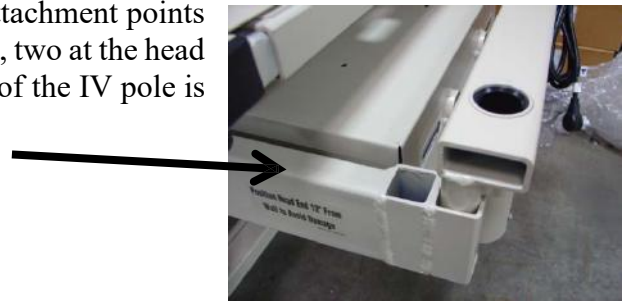
## **Expandable Bed Deck**

To expand or retract the width of the bed, slide the release knob to the unlock position (the release knob is located directly below the label) and slide the deck to the desired width. Be sure the release knob moves back into the lock position. This will be required for all 8 sections of the top deck.



## **IV Pole**

The IV pole can be placed in any of the four accessory attachment points on the bed. They are located at the four corners of the bed, two at the head section and two at the foot section. The weight capacity of the IV pole is rated at 50 lbs. (22 kg).



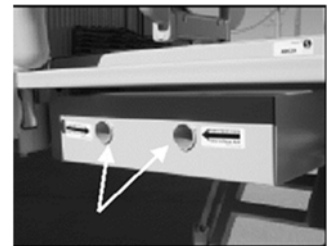
**WARNING:** If the weight capacity of the IV pole is exceeded, it could result in patient and/or user injury as well as damage to equipment or other property.

## **Manual Crank**

The manual crank allows the user to operate the basic motor driven functions of the bed in case there is a power outage or an electrical/motor failure on the bed.

Select the hole in the end of the motor box for the desired function and insert the manual crank.

Rotate the manual crank until the desired bed position is achieved. Manual override of the motor should only be used in case of emergency.



**NOTE:** If the manual crank is used, the bed must be recalibrated to prevent damage to the actuators.

Remove the manual crank before operating the controls or using the bed.

## **Power Drive Control**

When using a bed with a power drive system make sure the power drive wheel (located under the center of the bed) is NOT resting on the floor. To raise the wheel, turn off the power drive system.

## **Serial Number Location**

The bed has a manufacturer serial number, and a Sizewise Rentals LLC serial number. The serial numbers are located at the foot of the bed.

### **Manufacturer Serial Number**



### **Sizewise Serial Number**



## **Trapeze Assembly**

This trapeze is rated with an 850 lbs. (385 kg.) weight capacity.



**WARNING:** If the weight capacity of the trapeze is exceeded, it could result in patient and/or user injury as well as damage to equipment or other property.



**HAZARD:** Pay close attention to pinch points on the bed to avoid injury to the patient and/or care provider.



**WARNING:** Do not attempt to install, perform maintenance, or use this product without first reading and understanding these instructions and accompanying documents such as, the User Manual, Technical Manual, and Work Instructions. If you do not understand these instructions, or documents referenced, contact Sizewise at 1-800-814-9389.



**WARNING:** Do not attempt to install, repair, or remove the trapeze, single pole patient assist, or any other overhead components/devices while bed is occupied.



**WARNING:** Before positioning patient on bed, verify all components are secure after adjustments, repairs, or servicing of the trapeze, single pole patient assist, or any other overhead components/devices.



**WARNING:** Use only parts, accessories and adapters authorized by Sizewise.

Tools required for assembly:  
2 - 9/16" wrenches



1. Attach the end posts into the appropriate brackets on the head and foot sections of the bed.
2. Place the overhead beam into the slots on top of each end post.

**NOTE:** Be sure to place the holes facing upward on the overhead beam.



3. Insert the four 3/8" bolts (2 on each side) and tighten the nuts using a 9/16" wrench.



4. Attach the sliding saddle to the overhead beam. Move the saddle until the bolt is secured into one of the holes on the overhead beam.



5. Place the bolt through the sliding saddle and secure it with a nut, as shown in the picture.
6. After securing the trapeze bar, the saddle can be repositioned into the appropriate location without removing the nut and bolt.



### **Trendelenburg Disabling**

To disable the Trendelenburg function on the hand control, turn switch (A) on the ECM, to the OFF position. This will prevent the patient from using the function when they should not. The ECM is located at the head of the bed and it is mounted to the frame.

## Seven Zones of Bed Rail Entrapment

If the patient would have any clinical conditions that could result in risk of falling or improperly lying in bed, the bed should be left at its lowest setting and in flat position when not attended. Sizewise recommends the use of bed rails if they are available. There are seven zones of bed rail entrapment.



**WARNING:** Bed rail entrapment is a serious health risk that can result in serious injury or even death. Sizewise recommends the care provider be mindful of the FDA guidelines relevant to bed rail entrapment, as serious injury can result. These guidelines can be found on the FDA website. When using an Air Therapy system the care provider is responsible for ensuring the mattress properly fits the bed frame. It is also the care provider's ultimate decision whether or not to use bed rails with the patient.

**Zone 1:** Within the Rail

**Zone 2:** Under the Rail, Between the Rail Supports or Next to a Single Rail Support

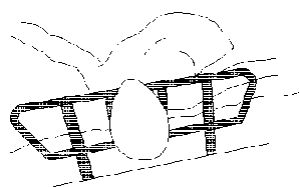
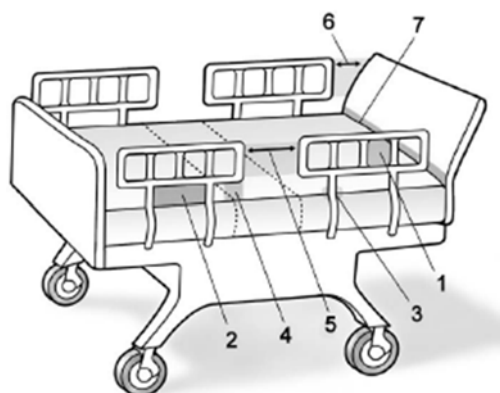
**Zone 3:** Between the Rail and the Mattress

**Zone 4:** Under the Rail, at the Ends of the Rail

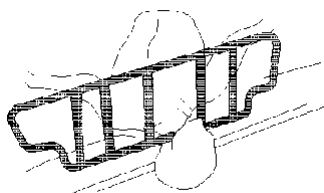
**Zone 5:** Between Split Bed Rails

**Zone 6:** Between the End of the Rail and the Side Edge of the Head or Footboard

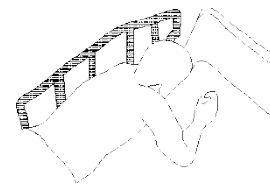
**Zone 7:** Between the Head or Footboard and the Mattress End



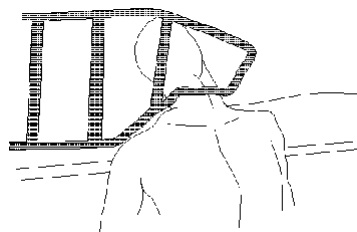
**Zone One**



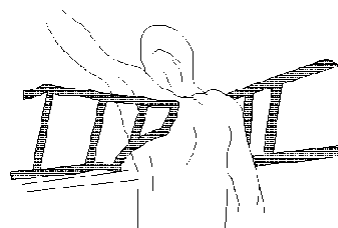
**Zone Two**



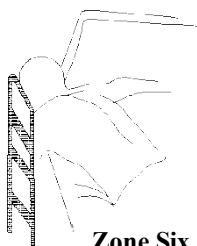
**Zone Three**



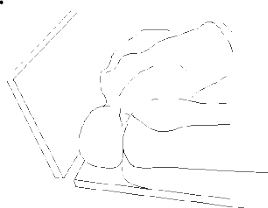
**Zone Four**



**Zone Five**



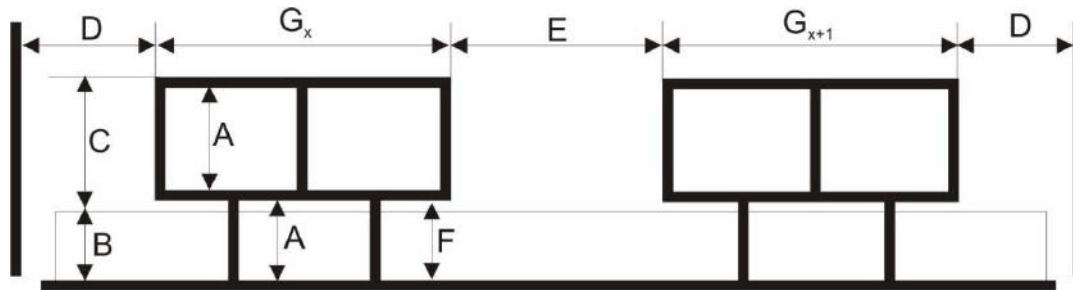
**Zone Six**



**Zone Seven**



This bed complies with IEC 60601-2-52 standard for bed rail entrapment. Below are the specifications of that standard. This was taken from the 60601-2-52 standard.



DESIGNATOR	DESCRIPTION	DIMENSION	
A	Smallest dimension between elements inside the perimeter of the SIDE RAIL in its raised/locked positions or perimeters created between the SIDE RAIL and fixed parts of the BED.	$\leq 120$ mm	
B	Thickness of NORMAL USE mattress.	Specified by the manufacturer	
C	Height of the top edge of the SIDE RAIL above the mattress (see B) without compression.	$> 220$ mm	
D	Distance between HEAD PANEL or FOOT PANEL and SIDE RAIL	$\leq 60$ mm Or $> 318$ mm	
E	Distance between segmented SIDE RAIL with the MATTRESS SUPPORT PLATFORM in the flat position	$\leq 60$ mm Or $> 318$ mm	
F	Smallest dimension of any accessible opening between the SIDE RAIL and the MATTRESS SUPPORT PLATFORM.	If D or E $> 120$ mm then $F \leq 60$ mm	If D or E $\leq 60$ mm then $F \leq 120$ mm
G	Total length of the SIDE RAIL or sum of the length of segmented SIDE RAILS on one side of the BED.	$\sum G_x >$ half the length of the MATTRESS SUPPORT PLATFORM	

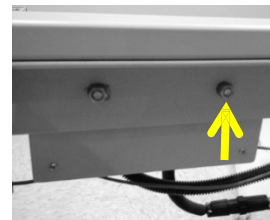
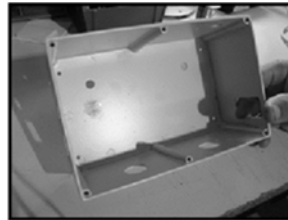
# Safety Tips

## Electrical Leakage Test Point



**CAUTION:** If the ground is not properly connected to the electrical leakage test point a false reading may occur.

In the event the electrical leakage test is done, the proper location for this test is on the main frame at the head section by the ECM box. Labeling on the main frame will indicate proper location.



## Acceptable Levels of Leakage Current

Allowable limits for leakage current measurements for medical devices depend upon function and intentional contact with patient. Limits are required for UL 60601-01, IEC 60601-1 and CSA C22.2 No. 601.1. The maximum allowed leakage reading for the Bari Rehab Platform is 300 micro amps.

## Electromagnetic Compatibility (EMC)

The Bari Rehab Platform 3™ has been tested for compliance with the EMC requirements. The guidelines in this section will help to ensure the medical equipment will meet the requirements of the standard.



**WARNING:** Medical equipment should not be used, stacked or located on or around equipment that may create electromagnetic interferences.

## **Emissions**

The Bari Rehab Platform 3™ has been type tested and have passed the requirements of CISPR 11. Observe the following recommendations to minimize radio frequency emissions in this section and the Electromagnetic Interference section.

## **Immunity**

The Bari Rehab Platform 3™ has been stringently tested for susceptibility to electromagnetic radiation over the frequency range 80 MHz to 2.5 GHz. The test was conducted on this bed and passed the requirements of IEC 61000-4-3.

All pins of connectors have passed ESD testing.

## List of Cables and Accessories

Replacement parts, such as cables and accessories, must be purchased through Sizewise to ensure proper compliance requirements.



**WARNING:** Using other manufacturer’s cables and accessories may affect EMC performance. Unauthorized use of these items will void warranty and could result in patient and/or user injury as well as damage to equipment or other property.

The use of cables or accessories other than those for which the bed was designed or tested can significantly degrade emissions and immunity performance.

Cables and Accessories	Specifications and Requirements
Hand Control	Length: 9.51 feet (2.9 meters) 105°C (221°F) 24 AWG Strand PVC Insulated Standards: UL AWM Style 2464, NEC Type CMG/cUL CEC Type CMG FT4, CSA AWM I A, EU CE
Power Cord	Hospital Grade Length: 16 feet (4.88 meters) SJT 16/3C 60°C (140°F) End Types: YP-18L-2 and YC-12 UL and CSA certified 3 prong IEC C13 power cord receptacle. Built to the IEC 60320-C13 standard. Rated 13A 125V/250V. This IEC C13 power cord receptacle is fully molded with a low profile ergonomic design and fully RoHS and REACH compliant.
Coiled Cord (RSS)	US Plug 6P6C, Gold Plated 3u” 28 AWG (7/0.12BC)*6C+Jacket Curve Length 1ft, 3ft L: (1ft*Æ13)+105+105mm OD: 3.5mm RoHS Compliant

### **Electromagnetic Interference (EMI)**

The Bari Rehab Platform 3™ has been tested and are intended for safe use with other components compliant to IEC 601 standards for medical devices. The Bari Rehab Platform 3™ can cause interference with non-601 regulated equipment and/or other non-601 regulated equipment can cause interference with The Bari Rehab Platform 3™. This section is in accordance with IEC 60601-1-2 section 5.2.2.



**WARNING:** Radio wave sources such as radio stations, TV stations, amateur radio (HAM) transmitters, two-way radios and cellular phones can affect this bed. Following the warnings listed for electromagnetic interference should reduce the chance of the bed's unintended movement that could result in serious injury.

DO NOT turn ON hand-held personal communication devices, such as citizens band (CB) radios and cellular phones while the bed is turned ON.

Be aware of nearby transmitters, such as radio or TV stations, and try to avoid coming close to them.

If unintended movement occurs, turn the bed OFF as soon as it is safe.

Adding accessories, components or modifying this bed may make it more susceptible to interference from radio wave sources (there is no easy way to evaluate their effect on the overall immunity of the bed).

Report all incidences of unintended movement to the bed's manufacturer and note whether there is a radio wave source nearby.



**CAUTION:** It is very important to read the information regarding the possible effects of electromagnetic interference on the Bari Rehab Platform 3™.

### **Electromagnetic Interference (EMI) from Radio Wave Sources**

The Bari Rehab Platform 3™ have been tested and are intended for safe use with other components compliant to IEC 601 standards for medical devices. The Bari Rehab Platform 3™ may be susceptible to electromagnetic interference (EMI), which is energy that is reflected or emitted from sources such as radio stations, TV stations, amateur radio (HAM) transmitters, two-way radios and cellular phones in the form of electrical and magnetic waves that travel through space. The interference (from radio wave sources) is not likely but in extreme circumstances can cause this bed to move by itself or move in unintended directions. It can also permanently damage the bed's control system. The intensity of the interfering EMI energy can be measured in volts per meter (V/m). The bed can resist EMI up to certain intensity. This is called its "immunity level".

### **GUIDANCE AND MANUFACTURER'S DECLARATION**

**Company:** Wheelchairs of Kansas  
**Model:** Sizewise Bari Rehab Platform 3™  
**Control Number:** 3107769

**Table 201 Guidance and Manufacturer’s Declaration – Emissions  
Equipment and Systems that are NOT Life-Supporting**

The Bari Rehab Platform 3™ is intended for use in the electromagnetic environment specified below. The customer, or user, of the bed should ensure that it is used in such an environment.

<b>Emissions Test</b>	<b>Compliance</b>	<b>Electromagnetic Environment Guidance</b>
RF Emissions CISPR 11	Group 2	The bed must emit electromagnetic energy in order to perform its intended function. Nearby electronic equipment may be affected.
RF Emissions CISPR 11	Class B	The bed and RSS are suitable for use in all establishments other than domestic and those directly connected to the public low-voltage power supply network that supplies buildings used for domestic purposes.
Harmonics Emissions IEC 61000-3-2	Class A	
Voltage Fluctuations/ Flicker IEC 61000-3-3	Complies	

**Table 202 Guidance and Manufacturer’s Declaration – Immunity  
All Equipment and Systems**

The Bari Rehab Platform 3™ is intended for use in the electromagnetic environment specified below. The customer, or user, of the Bari Rehab Platform 3™ should ensure that it is used in such an environment.

<b>Immunity Test</b>	<b>IEC 60601 Test Level</b>	<b>Compliance Level</b>	<b>Electromagnetic Environment Guidance</b>
ESD IEC 61000-4-2	±6kV Contact ±8kV Air	A	Floors should be wood, concrete or ceramic tile. If floors are synthetic, the r/h should be at least 30%.
EFT IEC 61000-4-4	±2kV Mains ±1kV I/Os	A	Mains power quality should be that of a typical commercial or hospital environment.
Surge IEC 61000-4-5	±1kV Differential ±2kV Common	A	Mains power quality should be that of a typical commercial or hospital environment.
Voltage Dips/Dropout IEC 61000-4-11	>95% Dip for 0.5 Cycle  60% Dip for 5 Cycles  30% Dip for 25 Cycles  >95% Dip for 5 seconds	A	Mains power quality should be that of a typical commercial or hospital environment. If the user of the bed requires continued operation during power mains interruptions, it is recommended that the bed be powered from an uninterruptable power supply or battery.
Power Frequency 50-60Hz Magnetic Field IEC 61000-4-8	3A/m	A	Power frequency magnetic fields should be that of a typical commercial or hospital environment.

**Table 204 Guidance and Manufacturer’s Declaration – Immunity  
Equipment and Systems that are NOT Life-Supporting**

The Bari Rehab Platform 3™ is intended for use in the electromagnetic environment specified below. The customer, or user, of the bed should ensure that it is used in such an environment.

Immunity Test	IEC 60601 Test Level	Compliance Level	Electromagnetic Environment Guidance
<p>Conducted RF IEC 61000-4-6</p> <p>Radiated RF IEC 61000-4-3</p>	<p>3 Vrms 150 kHz to 80 MHz</p> <p>3 V/m 80 MHz to 2.5 GHz</p>	<p>(V1)Vrms = 3</p> <p>(E1)V/m = 3</p>	<p>Portable and mobile communications equipment should be separated from the bed by no less than the distances calculated/listed below:</p> <p><math>D=(3.5/V1)(\text{Sqrt } P)</math></p> <p><math>D=(3.5/V1)(\text{Sqrt } P)</math> 80 to 800 MHz</p> <p><math>D=(7/V1)(\text{Sqrt } P)</math> 800 MHz to 2.5 GHz</p> <p>Where P is the max power in watts and D is the recommended separation distance in meters.</p> <p>Field strengths from fixed transmitters, as determined by an electromagnetic site survey, should be less than the compliance levels (V1 and E1).</p> <p>Interference may occur in the vicinity of equipment containing a transmitter.</p>

**Table 206 Recommended Separation Distances between portable and mobile RG Communications equipment and bed.**

**Equipment and Systems that are NOT Life-Supporting**

Recommended Separations Distances for the Bari Rehab Platform 3™: the Bari Rehab Platform 3™ is intended for use in the electromagnetic environment in which radiated disturbances are controlled. The customer, or user, of the Bari Rehab Platform 3™ can help prevent electromagnetic interference by maintaining a minimum distance between portable and mobile RF Communications Equipment and the bed, as recommended below, according to the maximum output power of the communications equipment.

$D=(3.5/V1)(\text{Sqrt } P)$

$D=(3.5/E1)(\text{Sqrt } P)$

80 to 800 MHz

$D=(7/E1)(\text{Sqrt } P)$

800 MHz to 2.5 GHz

Compliance Level	Cond RF 3	Rad RF-800 MHz 3	Rad RF – 2.5 GHz
0.01	0.12	0.12	0.23
0.1	0.37	0.37	0.74
1	1.17	1.17	2.33
10	3.69	3.69	7.38
100	11.67	11.67	23.33

**Table 208 Guidance and Manufacturer’s Declaration – Electromagnetic Immunity Equipment and Systems that are NOT Life-Supporting**

The bed is intended for use in the electromagnetic environment specified below. The customer or user of the bed should ensure that it is used in such an environment.

Immunity Test	IEC 60601 Test Level	Compliance Level	Electromagnetic Environment Guidance
Conducted RF IEC 61000-4-6	3 Vrms 150 kHz to 80 MHz	3 Vrms	The bed may be used in shielded or unshielded locations. Each cable that enters a shielded location must meet the minimum FR Filter requirements.
Radiated RF IEC 61000-4-3	3 V/m 80 MHz to 2.5 GHz	3 V/m	Field strengths outside the shielded location from fixed RF transmitters, as determined by an electromagnetic site survey, should be less than 3 V/m.



## General Safety



**WARNING:** The bed is to be used in accordance with each facility's policies and procedures.



**CAUTION:** Possible fire hazard when used with oxygen administering equipment other than the nasal, mask or 1/2 bed length type tent. Oxygen tent should not extend below the mattress support level. Lock hand control at foot of bed when using oxygen administering equipment.



**WARNING:** Electric shock may occur when plugging the bed into the wall outlet. Use ONLY grounded or hospital grade outlets.

DO NOT use the bed if the power cord is cut, frayed or loosely connected to the bed.

## Pinch Point

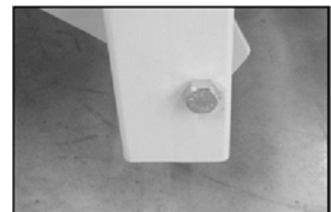
Watch for pinch points on the bed, which are indicated by the pinch point label.



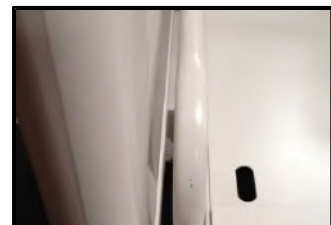
**HAZARD:** Pay close attention to pinch points on the bed to avoid injury to the patient and/or care provider.

Pinch points have minimal clearances between two moving parts that fail to maintain a clearance of  $\leq 8\text{mm}$  (0.315") or  $\geq 25\text{mm}$  (0.984").

Pinch points are present on both sides of the bed between the bed and the ground.



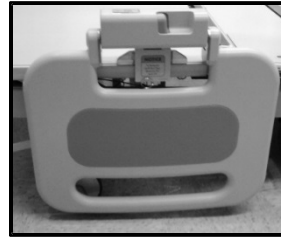
Pinch points are present between the mattress stop bar and footboard.



Pinch points are present near the casters and when the casters move as the bed is raised or lowered.



Pinch points are also present between the side rail and the floor.



## **Transport**



**WARNING:** During transport, use caution so the bed does not tip or overbalance. Failure to do so could result in patient and/or user injury as well as damage to equipment or other property.



**CAUTION:** The bed needs to be stored, transported and operated in a temperature range of -5°C to 45°C (23°F to 113°F).

DO NOT expose the bed to humidity greater than 95%.

It is not recommended to transport a patient when the bed is in the Trendelenburg or Reverse Trendelenburg positions. When the bed is in Trendelenburg or Reverse Trendelenburg, the position of the casters is modified to prevent movement and/or accidental tipping of the bed.

Generally, as the load increases, the risk of instability goes up.

Lower the foot section and head section to increase stability.

Lower the bed deck height approximately 15.75"-20" (40-51 cm) from the floor to increase stability.

Use and position of accessories may affect stability. DO NOT overextend IV poles or similar accessories and DO NOT overload accessories. If multiple accessories are in use, distribute them evenly from side to side or head to foot.

For inclines or thresholds, approach them moving forward or backwards, rather than sideways.

To help prevent overbalance or collision with hidden objects or people, DO NOT make sharp turns or turn the bed at high speeds.

The bed complies with the 60601 Threshold Test (21.6.102) and will go over a rectangular cross-section 20 mm (.787") high and 80 mm (3.15") deep.

# Cleaning Instructions



**WARNING:** Before cleaning the bed, be sure to disconnect it from the wall outlet (power source). Failure to do so could result in electrical shock and could result in patient and/or user injury as well as damage to equipment or other property.

To minimize the negative impact of cleaning agents:

- Contact time must be monitored and kept to the required time identified on the manufacturer's instructions.
- All cleaning solutions must be diluted in accordance with manufacturer's instructions.

## **Recommended EPA Registered Disinfectants:**

Wex-Cide 128 (Wexford Labs), EPA Reg. #34810-31

Equipment must be disinfected using an EPA registered, hospital-grade disinfectant, according to the manufacturer's recommendations for use.

## **Recommended Stain Remover(s):**

Stain Away (ABC Compounding)

This stain remover is effective in removing most difficult stains and is intended to be used in its original concentration.

## ***Clostridium difficile* (C. diff) Prevention:**

Clorox Germicidal Wipes (Clorox Professional Products Company), EPA Reg. #67619-12

These pre-moistened wipes meet the CDC's recommendations for *Clostridium difficile* (C.diff) bacteria, after the manufacturer's recommended "wet contact time".

1. Perform hand hygiene using soap and warm water, or hand sanitizer, and then put on disposable gloves and eye protection.
2. Use wipes to wipe the top and front of head/footboards, hand controls and cords, side rails and mattress top cover, making sure to wipe between the mattress and side rails.
3. Change wipes often to ensure that surfaces remain wet with disinfectant for the manufacturer's required contact time. Used wipes are to be discarded in the trash.
4. Remove disposable gloves and discard in the trash; perform hand hygiene using soap and warm water, or hand sanitizer, and then remove eye protection.

To reduce the discoloration of fabrics and degradation of the sleep surface lining, surfaces must be thoroughly rinsed with clean, fresh water to remove chemical residues immediately after the manufacturer's recommended "wet contact time" has been reached. The use of bleach-based solutions must be avoided whenever possible.

## **General Patient Room Cleaning/Disinfecting**

Personal Protective Equipment should always be used as directed by the Material Safety Data Sheet for the disinfectant.

Prepare the disinfectant according to the manufacturer's recommendations.

Prepare a separate bucket of warm, fresh water to be used for rinsing the equipment after cleaning/disinfecting procedures are completed as instructed.

Inspect sleep surface for attachment straps that may be securing the sleep surface to the bed top deck and disconnect attachment straps.

For any active therapy based sleep surface, disconnect hoses from the control unit to prevent damage to control unit or hose connections.

Remove sleep surface from the bed to gain full access to bed top deck and internal surfaces of headboards, footboards and side rails.

Raise all bed functions to the highest position for easy access to all surfaces.

- Bed to highest position
- Head articulation to highest position
- Foot articulation to highest position

Disconnect the bed from all electrical power to avoid electrical shock.

All bed frame surfaces are to be wiped using a coarse cloth, dampened with the disinfectant solution, prepared as directed by the manufacturer's recommendations, to remove organic material and visible soil.

When cleaning components, such as hand and/or foot controls and areas where there are electrical connections and components, avoid excessive moisture to prevent damage.

Allow all bed surfaces to remain wet with disinfectant solution for the manufacturer's recommended contact time.

Rinse all surfaces with a clean cloth dampened with fresh water to remove chemical and organic residue.

After cleaning, all surfaces are to be wiped with a clean, dry cloth to remove any moisture or residue.

**NOTE:** Additional cleaning may be completed, as desired, with a mild soap solution and/or household cleaning products. Avoid using harsh chemicals, such as acetone or paint thinner, as they will damage the finish of the paint.

## **Steam Cleaning**

This product may be steam cleaned to eliminate bacteria and/or bed bug infestations, if desired. When applying steam, avoid areas such as electrical connections and components including scale meters, scale system components, hand and/or footboard controls that may be damaged by being exposed to excessive moisture and/or heat.

Rinse all surfaces with a clean cloth dampened with fresh water to remove chemical and organic residue.

After cleaning, all surfaces are to be wiped with a clean, dry cloth to remove any moisture or residue.

## **Scale System Components**

All surfaces of the scale meter and the coiled cord are to be wiped using a coarse cloth, dampened with the disinfectant solution, prepared as directed by the manufacturer's recommendations, to remove organic material and visible soil.

Avoid excessive moisture to prevent damage.

Allow the scale meter and coiled cord to remain wet with disinfectant solution for the manufacturer's recommended contact time.

Rinse all surfaces of the scale meter with a clean cloth dampened with fresh water to remove chemical and organic residue.

After cleaning, all surfaces are to be wiped with a clean, dry cloth to remove any moisture or residue.

## **Bed Electronics and Hand Controls**

Electronic components (Electrical Control Module, electrical connections and motor box covers and hand controls) are to be wiped using a coarse cloth, dampened with the disinfectant solution, prepared as directed by the manufacturer's recommendations, to remove organic material and visible soil.

Avoid excessive moisture to prevent damage.

Allow the electrical components and hand control to remain wet with disinfectant solution for the manufacturer's recommended contact time.

Rinse all electrical components with a clean, dry cloth to remove any moisture or residue.

### **Sleep Surfaces (Including Mattress Bases and Top Covers)**

**NOTE:** The use of bleach-based products/solutions will provide a higher concentration of the agent than is required to eliminate the bacteria and will increase the potential for damage to the fabric and the built-in protective barrier to fluid of the sleep surface.

**NOTE:** To reduce the discoloration of the sleep surface lining, surfaces must be thoroughly rinsed with clean, fresh water to remove chemical residues immediately after the required “wet contact time” has been reached.

1. Personal Protective Equipment should be used as directed by the Material Safety Data Sheet for the disinfectant.
2. Prepare the disinfectant according to the manufacturer’s recommendations.
3. Inspect sleep surface for attachment straps that may be securing the sleep surface to the bed top deck and disconnect attachment straps.
4. For any control unit based sleep surface, turn OFF the control unit and disconnect from electrical power. Disconnect hoses from control unit to prevent damage to control unit or hose connections.
5. All surfaces of the mattress are to be wiped using a coarse cloth, dampened with the disinfectant, prepared as directed by the manufacturer’s recommendations, to remove organic material and visible soil. When cleaning the mattress, special attention is to be given to sewn seams and folds in mattress fabrics.
6. Allow the mattress to remain wet with disinfectant solution for the manufacturer’s recommended contact time.
7. Stains on the mattress may be treated using a mild stain remover, according to the manufacturer’s recommendations, using a soft bristled brush.
8. Rinse all surfaces of the mattress with fresh water and clean cloth to remove chemical and organic residue.
9. After cleaning, all surfaces are to be wiped with a clean, dry cloth to remove any moisture or residue and allowed to air dry.

### **Control Unit and Hand Control (if equipped)**

**NOTE:** Hand clean only. DO NOT place in sterilization room or chamber.

1. Personal Protective Equipment should be used as directed by the Material Safety Data Sheet for the disinfectant.
2. Prepare the disinfectant according to the manufacturer’s recommendations.
3. Turn OFF the control unit and disconnect it from all electrical power to avoid electrical shock.
4. When cleaning the control unit, avoid excessive moisture especially in areas where there are electrical connections and components, to prevent damage.
5. All surfaces of the control unit and the power cord are to be wiped using a coarse cloth, dampened with the disinfectant solution, prepared as directed by the manufacturer’s recommendations, to remove organic material and visible soil.
6. Allow the control unit to remain wet with disinfectant solution for the manufacturer’s recommended contact time.

7. Rinse all surfaces of the control unit with fresh water and use a clean cloth to remove chemical and organic residue.
8. After cleaning, all surfaces are to be dried with a clean, dry cloth.

Control unit air filters must be cleaned weekly. Replacement of the control unit air filter is recommended every 6 months.

1. Remove the air filter located on the back of the control unit.
2. Clean with prepared disinfectant solution and allow to air dry.
3. Reinstall the filter when dry.

### **Laundry Instructions**

If additional cleaning is necessary, top covers may be removed and laundered using standard hospital disinfectant/detergent. **DO NOT use temperatures in excess of 120°F (49°C).**

1. Set washing machine to Regular Cycle.
2. Pre-soak with disinfectant/detergent in cold water for 10 minutes. **DO NOT USE HARSH SOLVENTS OR CLEANERS.**
3. Main wash cycle: 15 minutes, time dependent on soil level.
4. Rinse cycle: 5 minutes, minimum.
5. Spin/Drain cycle: 5 minutes, minimum.

After washing, the mattress top cover is to be air dried or dried in a dryer at very low or no heat to protect it from heat related damage.

### **Air Therapy Internal Mattress Components**

1. Prepare the disinfectant according to the manufacturer's recommendations.
2. Prepare a separate bucket of warm, fresh water to be used for rinsing the equipment after cleaning/disinfecting procedures are completed as instructed.
3. Using a clean cloth dampened with the disinfectant solution, wipe all internal mattress surfaces, including the air cells, and allow to remain wet for the manufacturer's recommended contact time.
4. Rinse all surfaces of the air cells with fresh water and clean cloth to remove chemical and organic residue.
5. After cleaning, dry the internal air cells with a clean, dry cloth.
6. After all mattress components are dry, reinstall the top cover.
7. Store the mattress in a clean environment until the next use.

**NOTE:** Only the outer cover of the mattress requires cleaning and maintenance. Disassembly of the support surface for the maintenance of internal components is not recommended. **DO NOT** use harsh solvents or cleaners. Special care should be used to not puncture the mattress with needles or sharp instruments. This may result in loss of integrity of the mattress cover or internal components.

## **Optional Accessories**

### **Full-Frame Trapeze**

The entire frame of the trapeze is to be wiped using a coarse cloth, dampened with the disinfectant solution, prepared as directed by the manufacturer's recommendations, to remove organic material and visible dirt.

Allow the trapeze to remain wet with disinfectant solution for the manufacturer's recommended contact time.

Rinse the trapeze with a clean cloth dampened with fresh water to remove chemical and organic residue.

After cleaning, all surfaces are to be wiped with a clean, dry cloth to remove any moisture or residue.

If necessary, the trapeze frame may be steam cleaned.

### **Cleaning Blood and Other Excretions:**

Blood and other excretions should be wiped up while wet, if possible. These substances are more difficult to remove once they have dried to surfaces. Dried blood and other excretions are to be removed using ample disinfectant solution in order to moisten the substance and make it easier to clean.



**WARNING:** Do not attempt to install, perform maintenance, or use this product without first reading and understanding these instructions and accompanying documents such as, the User Manual, Technical Manual, and Work Instructions. If you do not understand these instructions, or documents referenced, contact Sizewise at 1-800-814-9389.



**WARNING:** Do not attempt to install, repair, or remove the trapeze, single pole patient assist, or any other overhead components/devices while bed is occupied.



**WARNING:** Before positioning patient on bed, verify all components are secure after adjustments, repairs, or servicing of the trapeze, single pole patient assist, or any other overhead components/devices.



**WARNING:** Use only parts, accessories and adapters authorized by Sizewise.



## Maintenance



**CAUTION:** The bed requires regular maintenance to uphold performance and avoid premature wear, damage and injury.

Check the items on this chart at the indicated intervals. If any of the items are loose, worn, bent or distorted, immediately have them checked and/or repaired by an authorized Sizewise Technician. Frequent maintenance and servicing will improve performance between each use and extend bed life. For long term use, the following maintenance chart should be followed:

	Three Months	Six Months
<b>Bari Rehab Platform 3™</b>		
Side Rails		X
Fasteners	X	
Frame		X
Foam Mattress		X
Casters	X	
Hand Control	X	
Actuators	X	
Power Cords	X	
<b>SW Rest Secure System™</b>		
Fasteners	X	
Frame		X
Case		X
Battery		X
Power Cords	X	

The following is an equipment safety checklist that can be used with the maintenance chart to maintain and service this product:

- Make sure the bed operates easily and freely and all parts work smoothly.
- Check for excess noise, vibration or a change in ease of use. These may be signs of a problem such as a need for lubrication, loose fasteners or damage to the bed.
- Plug bed into AC power.
- Verify each function operates fully on the hand control.
- Ensure side rails are installed and lock properly.
- Ensure brake/steer casters lock in place.
- Ensure scale system is calibrated and functions properly (if installed).
- Ensure bed is clean/disinfected and patient ready.

All power cords are fastened in a manner to keep them free from moving or pinching parts. At any time parts are replaced, all cords should be secured into proper position to prevent damage.

If a problem is detected, make sure to repair or adjust the bed before using it. Contact an authorized Sizewise technician to help find and correct the problem.

## Service/Replacement of Hand Control

Should it become necessary to remove the hand control from the bed, the motor cable must first be removed from the bed.



**WARNING:** Failure to follow the service/replacement of hand control instructions could result in damage to the hand control cable plug.

Removal:

1. Disconnect the hand control plug and carefully cut the zip ties from the bed frame.
2. The hand control can now be removed for service or replacement.

**NOTE:** Reverse the above directions for installation of the hand control.



## Lubricating the Actuators

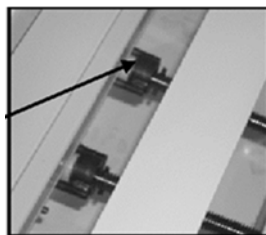
The actuators need to be greased about every three months to ensure proper functioning. Use **ONLY** heavy duty wheel bearing/axle grease. Good quality grease can be located at a local hardware or auto supply store.

### **Lubricating Instructions**

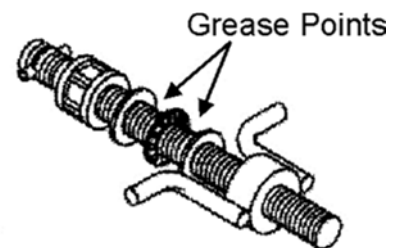
1. Completely extend the actuators and wipe off dust and lint prior to greasing.
2. Place the end of the grease gun hose in the hole in the actuator.
3. Three to four pumps of the grease gun are sufficient.



4. After separating bearings from races, grease must be worked down into both sides of the bearing.



Thrust Bearing and Actuator Rod Guide



5. Repeat steps 1 through 4 for each actuator.

## **Fasteners**



**WARNING:** Many of the screws and bolts used in the bed are special high-strength fasteners. Contact an authorized Sizewise technician to assist in finding the correct fasteners. If improper fasteners are used, they could result in patient and/or user injury as well as damage to equipment or other property.

Improper fasteners may fail. Use only screws and bolts provided by an authorized Sizewise representative.

If screws or bolts become loose, tighten them immediately.

If a problem is detected, make sure to repair or adjust the bed before using it.

## **Storage and Disposal**

The bed should be stored in a dry location so that the components DO NOT become contaminated with moisture. If the bed is stored for any period of time, make sure it is adjusted properly and that all components are in working order before using the bed.



**CAUTION:** The bed needs to be stored, transported and operated in a temperature range of -5°C to 45°C (23°F to 113°F).

**DO NOT** expose the bed to humidity greater than 95%.

End-of life Sizewise products must be disposed of properly according to local laws and regulations. If your product contains a battery and / or electronics components, disposal of those components must be completed separate from standard waste disposal. Please contact Sizewise or your local authorities for disposal and recycling options.

# Troubleshooting



**CAUTION:** Only authorized personnel should engage in the troubleshooting process. Troubleshooting by unauthorized persons could result in personal injury or equipment damage.

## **Bari Rehab Platform 3™ Troubleshooting**

### **The bed will not operate with all functions unresponsive:**

- Ensure the bed is plugged into a power source.
- Check that the main power switch on the ECM is set to the “ON” position.
- Ensure all cables to the Electronic Control Module are properly connected and secure.
- Check the main power fuse in the ECM.

### **One or more functions fail to operate, the motor(s) will not activate:**

- Ensure all cables to the Electronic Control Module are properly connected and secure.
- Inspect the hand control for damage and ensure it is properly connected to the ECM.
- Verify the Trendelenburg switch on the ECM is set to the “ON” position.
- Check the power from the ECM to the motor on the section not working.

### **Motor quits after repeated use:**

- The motor may have overheated, wait 10 minutes for the motor to cool and try operating the bed again.

### **A motor operates but does not turn the actuator:**

- Inspect the motor coupler to the actuator.
- Check the actuator for wear to make sure the roll pin is not sheared off. Please contact a Sizewise representative for further assistance.

### **A motor activates (hums) but does not turn (frozen):**

- Inspect all mechanical components to make sure they are free of any obstacles that may restrict movement and that they are in good working order.
- Inspect that the actuators are greased. Grease if dry. See Lubricating the Actuators section on page 63.

### **A function fails to raise or lower fully:**

- Inspect all mechanical components to make sure they are free of any obstacles that may restrict movement and that they are in good working order.

**NOTE:** If the troubleshooting process does not solve the problem please contact a Sizewise representative for service.

## **SW Rest Secure System™ Troubleshooting**

### **Display on handheld shows Load Cell Error or yellow light flashing on the RSS Control Box under the bed:**

- Check the RSS Control Box to make sure that all load cell cables are plugged in. Check for damaged load cell cables.

### **The unit will not power up:**

- Make sure the RSS Control Box (located under bed) is plugged into the wall. Unplug handheld from the footboard, wait 5 seconds and then plug it back in.

### **Weight history readings will not store:**

- Make sure the clock time and weight history time are set correctly (24-hour clock format).
- Check time to make sure it is correct (see the section Set-Up Instructions Setting the Time/Date).
- Open case and check to make sure SD card is installed (see the section SW Rest Secure System Updating Firmware to find the SD card location).

### **Scale showing incorrect weight:**

- Make sure the zeroing process was done correctly (see the Set-Up Instructions section on Scale System: Zeroing the Scale on page 25).

### **Unit will not change from LBS to KGS in the scale settings menu:**

- Unlock LBS/KGS (see Rest Secure Operating Instructions section on Scale System: Locking/Unlocking the Unit in LBS/KGS on page 33).

### **Nurse call will not activate:**

- Make sure cable from bed to wall interface is securely plugged. Check cable from RSS Control Box to bed frame.
- Make sure “dummy plugs” are inserted, if applicable.

**NOTE:** If the troubleshooting process does not solve the problem please contact a Sizewise representative for service.

## Power Drive Troubleshooting

### Touchpad Flash Codes

User Control Interface Board or (Interface PCB) is programmed with flash codes to inform the user of a SYSTEM FAULT. Flashes or pulses are countered by the user to determine what the fault is if using a Flash Code Chart. Flash indicators are located within the Battery LED (B8) and Speed Indicator LED (B4). See Table 1 shown below.

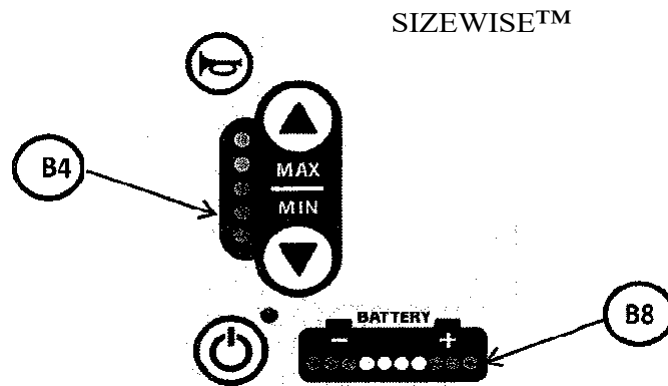


Table 1


<b>BATTERY INDICATOR LED FLASH CODES (B8)</b>		
<b>CODE</b>	<b>FAULT</b>	<b>Comments, Contact Service for Trouble Shooting</b>
(1) Flash	LOW BATTERY	RECHARGE BATTERY, CHECK BATTERY CONNECTIONS
(2) Flashes	NO MOTOR POWER	CHECK MOTOR WIRING, OPEN IN THE WIRING OR CONNECTIONS
(3) Flashes	MOTOR SHORT	BAD MOTOR, WIRING FAULT
(4) Flashes	FOOT BRAKE SET	DISENGAGE FOOT BRAKE FOR POWERED MOBILITY
(5) Flashes	COMPRESSOR TIME OUT	CHECK CIRCUIT BREAKER, CHECK FOR AIR LEAK
(6) Flashes	DRIVE INHIBIT	CHARGER IS CONNECTED AND ACTIVE, DISABLEING POWERED DRIVE MOBILITY
(7) Flashes	THROTTLE FAULT AT MOTOR DRIVE	WIRING FAULT IN MAIN CONTROL BOX
(8) Flashes	S DRIVE CONTROLLER FAULT	CHECK CONNECTIONS TO S DRIVE, CONTACT SERVICE
(9) Flashes	MOTOR BRAKE FAULT	FAULT IN ELECTROMAGNETIC BRAKE CIRCUIT, CHECK CONNECTIONS, CHECK MOTOR BRAKE LEVER POSITION
(10) Flashes	EXCESSIVE VOLTAGE	POOR MOTOR CONNECTION, BAD CHARGER

<b>SPEED INDICATOR LED FLASH CODES (B4)</b>		
<b>CODE</b>	<b>FAULT</b>	<b>Comments, Contact Service for Trouble Shooting</b>
(3) Flashes	WIG WAG FAULT	WIG WAG IS NOT CENTERED NOT ALLOWING UNIT TO POWER UP
(4) Flashes	E STOP SWITCH IS ACTIVATED	RESET EMERGENCY STOP SWITCH

# Technical Information

## General

- Images and drawings in this Technical Manual are for reference only. Actual product may vary and drawings are subject to change at any time. These changes may not be reflected in this manual. If there are any questions regarding the most up to date information, call Sizewise for further assistance.
- The Technical Information section is an addition to the Technical Manual. Read and fully understand all Information provided in the manual prior to the Technical Information section.

 <b>Warning/Attention</b>		
<p>Read and fully understand manual before operating. Failure to follow operating instructions could result in death or serious injury.</p>		<p>Lisez et comprenez entièrement le manuel avant utilisation. Le non-respect des instructions d'utilisation peut entraîner la mort ou des blessures graves.</p>
<p>27008710, Rev. 1.0</p>		

# Technical Information

## Safety



WARNING: This Product must be assembled, positioned, and used in accordance with these instructions.



ELECTRICAL SHOCK HAZARD WARNING: To avoid risk of electric shock or Injury, only use manufacturer's approved power cord.



ELECTRICAL SHOCK HAZARD WARNING: Inappropriate handling of the power supply cord, (e.g. by kinking, shearing, other mechanical damages) is hazardous.



ELECTRICAL SHOCK HAZARD WARNING: To Avoid risk of electrical shock, inspect cables of bed and all components to ensure no cuts or fraying is present prior to use.



WARNING: Do not attempt to install, perform maintenance, or use this product without first reading and understanding these instructions and accompanying documents such as, the User Manual, Technical Manual, and Work Instructions. If you do not understand these instructions, or documents referenced, contact Sizewise at 1-800-814-9389.



WARNING: Do not attempt to install, repair, or remove the trapeze, single pole patient assist, or any other overhead components/devices, while bed is occupied.



WARNING: Before positioning patient on bed, verify all components are secure after adjustments, repairs, or servicing of the trapeze, single pole patient assist, or any other overhead components/devices.



WARNING: Use only parts, accessories and adapters authorized by the manufacturer.



WARNING: Once the bed is positioned correctly, lock casters. Failure to do this could result in patient and/or user injury as well as damage to equipment or other property.



WARNING: Set speed control to a minimum position before engaging power drive. Failure to do so could result in patient and/or user injury as well as damage to equipment



WARNING: BRP3™ is to be used in accordance with each facility's policies and procedures.



WARNING: Any change to the specifications can result in malfunction or damage to the BRP3™.



WARNING: Prior to performing maintenance, troubleshooting, or cleaning, ensure patient is not on the bed and the BRP3™ is not in use.



WARNING: Many of the screws and bolts used in the bed are special high-strength fasteners. Contact an authorized Sizewise technician to assist in finding the correct fasteners. If improper fasteners are used, they could result in patient and/or user injury as well as damage to equipment or other property.



# Technical Information

## 45050100 Parts List

Parts List							
Item	Description	Part #	Qty.	Item	Description	Part #	Qty.
1	MAIN FRAME HEAD 39/48 X 80	12030001	1	38	HCS 3/8-16 X 2 3/4"	27001208	4
2	MAIN FRAME FOOT 39/48 X 80	12030002	1	39	H-BAR PIVOT FRAME MOUNT	45030110	4
3	HCS 5/16-18 X 2 1/2"	27001204	4	40	LOADCELL SPACER	12031670	4
4	NYLON LOCKNUT 5/16-18	27001105	4	41	FLINTEC LOADCELL KIT	29050030	4
5	ECM, 60601 APV, FULL ELEC w/12V SUPPLY	12070725	1	42	FOOT LEVER	12030490	2
6	5/16 LOCKWASHER SPLIT	27001003	18	43	HCS 3/8-16 X 2"	27001433	12
7	NUT 5/16-18	27001227	18	44	HEX NUT 3/8-16	27001437	8
8	HEAD MOTOR BOX FULL ELECTRIC	45070730	1	45	5" TWIN WHEEL CASTER	27000646	4
9	FOOT MOTOR BOX FULL ELECTRIC	45070740	1	46	6mm INT. TOOTH LOCKWASHER	27001475	8
10	1/2" BLIND HOLE CLAMP	27000169	2	47	HCS 6mm X 1.0 X 12mm	27001348	8
11	AXLE SUPPORT FRAME	12030020	2	48	3" UNIVERSAL LOADCELL COVER	29030982	4
12	BEARING REPLACE NYLON BUSHING	12001410	8	49	1/4" INT. TOOTH LOCKWASHER	27001470	8
13	SMALL THRUST WASHER	27000801	4	50	BHSCS 1/4-20 x 1/2"	27001468	8
14	1/2" 18 GA X 1-1/2" BUSHING	12000255	4	51	INLINE PHONE CONN. MOUNT	27002433	1
15	F436 F/W 1/2 GALA 325 WASHER	27001228	8	52	SELF DRILL SCREW	27001179	18
16	HCS 3/8-16 X 2-1/4	27001032	4	53	FULL ELECTRIC MOTOR BOX COVER	12031705	2
17	NYLON INSERT LOCKNUT 3/8-16	27001010	24	54	HAND CRANK SUPPORT	12030570	1
18	FLINTEC LOADCELL BED AXLE	12030370	2	55	1/2" CABLE CLIP	27003820	2
19	3/8" WASHER - FLAT CUT	27001089	4	56	3/16 X 3/16 - 1/4 STEEL RIVET	27000039	2
20	NARROW RIM BUSHING	27001102	4	57	86" BED, HAND CRANK	12060292	1
21	1/2" 18 GA X 1-9/16" BUSHING	12000258	4	58	MAIN FRAME, PIVOT ROD STOP	12030030	1
22	HCS 3/8-16 X 2 1/2"	27001090	4	59	HCS 1/4-20 X 1	27001041	1
23	WASHER FLAT CUT ZP 1/2	27001067	8	60	FOOT RAIL	12030790	1
24	1/2" 18 GA X 1-5/16" BUSHING	12000257	4	61	HEAD/FOOTBOARD MOUNT	29050180	1
25	FLANGED AXLE POSITIONER STRAP	45030150	4	62	BRP3 HEAD BOARD MOUNT	45050000	1
26	1/2" BUSHING	12000251	4	63	HEADBOARD, SW2000 GENERATION 3	45050030	1
27	HCS 3/8-16" X 2" GR5 ZP	27001031	4	64	BRP3 FOOTBOARD	45050040	1
28	HCS 3/8-16 X 1 1/4	27001025	12	65	FOOTBOARD PUMP BAR	29031962	1
29	MAIN ACTUATOR POWER PULL	12060410	2	66	PUMP BAR SPACER	29030740	2
30	ACTUATOR MOUNT	12030460	8	67	MS PHIL FLAT 1/4-20 X 2"	27001934	2
31	1/2" 18 GA X 3/4" BUSHING	12000252	8	68	#8-32 X 5/8" MS PHIL PAN	27001933	7
32	ARTICULATION ACTUATOR	12060411	2	69	FOOTBOARD INFO SLEEVE	27001931	1
33	3/8" THRU HARDENED WASHER	27001171	8	70	FOOTBOARD INFO SLEEVE CLIP	27001951	1
34	HEAD H-BAR	45030000	1	71	SW2000 SCALE METER HOLDER	27001950	1
35	FOOT H-BAR	45030010	1	72	CUSHION CLAMP	27001657	1
36	DECK ROLLER	27001890	4	73	MS PHIL PAN 10-32 X 5/8	27002539	1
37	H-BAR BUSHING SPACER	45000320	4	74	NYLON INSERT LNUT 10-32	27001110	3

# Technical Information

## 45050100 Parts List

Parts List

Item	Description	Part #	Qty.	Item	Description	Part #	Qty.
75	RIGHT HEAD BUMPER BRACKET	45050204	1	98	4 PLACE HG POWER STRIP 6060I	27001668	1
76	LEFT HEAD BUMPER BRACKET	45050205	1	99	8-32 x 1/2" FHPLMS	27003219	2
77	RIGHT FOOT BUMPER BRACKET	45050206	1	100	PEM Nut - 8-32 x .020-.080	27003264	2
78	LEFT FOOT BUMPER BRACKET	45050207	1	101	1/4-20 X 1/2" PHPL TCS	27003294	4
79	FOOT SIDE RAIL WITH BASE MOUNT	45050060	2	102	REST SECURE SYSTEM	42050250	1
80	LEFT HEAD SIDE RAIL WITH BASE MOUNT	45050050	1	103	BRAKE SWITCH HARNESS	45070500	2
81	RIGHT HEAD SIDE RAIL WITH BASE MOUNT	45050055	1	104	BRAKE SWITCH JUMP HARNESS	45070510	2
82	GREEN PEDAL CAP	27000300	2	105	4-40 X 1/2 PHIL STD SCREW	27000440	2
83	RED PEDAL CAP	27000301	2	106	4-40 NYLOCK NUT	27508020	2
84	HCS 1/4-20X1 1/4	27001115	4	107	COMMUNICATION CABLE	45070520	1
85	1/4-20 JAM NUT	27001194	8	108	HCS 1/4-20 UNC X 1.5	27001294	2
86	SHOULDER BOLT	27000273	4	109	1/4" NYLON WASHER	27001016	2
87	WIRING CHANNEL	45030260	2	110	NYLON INSERT LNUIT 1/4-20	27001106	6
88	8-32 X 2 1/2 PHPLMS	27000792	4	111	HL-7, BRP-3 (OPTIONAL)	45070760	N/A
89	#8-32 NYLON LOCK NUT	27621018	6	112	WIRING CHANNEL BRACKET	45030265	4
90	1/2" SPLIT LOOM	27000217	188"	113	HCS 1/4-20X3/4" G5 ZP	27001299	4
91	1/4-20 HALF HEX PEM	27003064	3	114	EMR INTERFACE CABLE BRP-3	42070225	1
92	1X2 RECT PLASTIC TUBE PLUG	27000241	2	115	#4 x .120 x .220 NYLON FLATWASHER	27001898	2
93	E-BRAKE SWITCH MOUNT	45030130	2	116	3/8" WIRE CLIP	27000638	6
94	Poly Rail Push Button Spring	27001860	2	117	#10 EXT. TOOTH LOCK WASHER	27001431	4
95	1/4 x 1" SHOULDER BOLT 10-32	27003159	2	118	#8 STEEL SASH CHAIN	27001132	9.00"
96	8 FUNCTION CPR HANDWAND w/12ft CORD	45070750	1	119	5" FLAT BRAIDED CABLE ASSEMBLY	12070190	1
97	16' POWER CORD W/90 DEGREE PLUG	27000445	1	120	3/8-16 NYLOCK JAM NUT	27001569	1



WARNING: BRP3™ is to be used in accordance with each facility's policies and procedures.



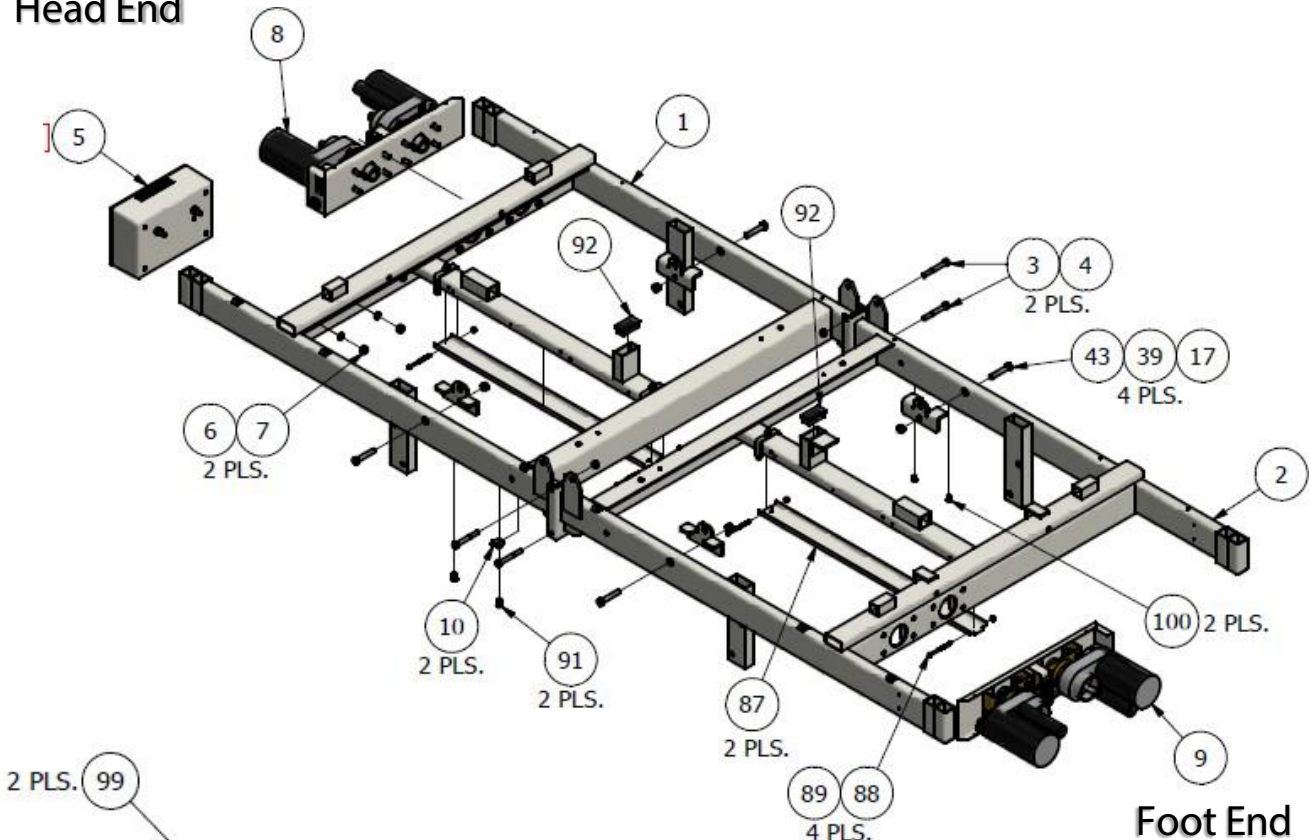
WARNING: Any change to the specifications can result in malfunction or damage to the BRP3™.

# Technical Information

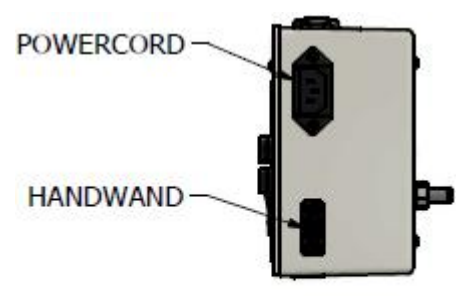
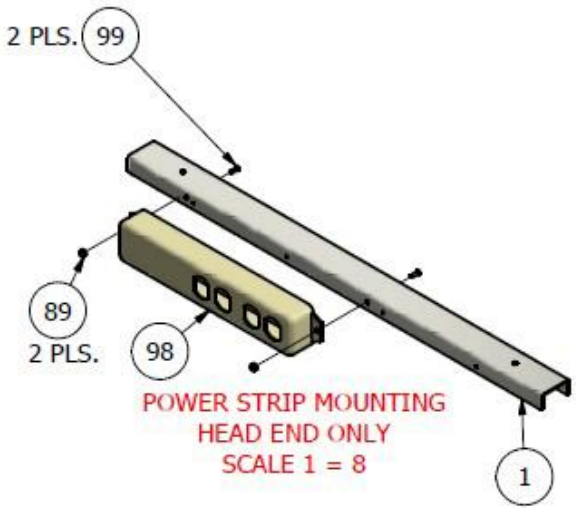
## Mid-Frame Assembly

1. Route ECM and motor box cables into wiring tray. Then fasten tray over the top of bed reinforcement bar using items 88 and 89.
2. See detail "A" for ECM side view power cord and hand wand placement.

Head End



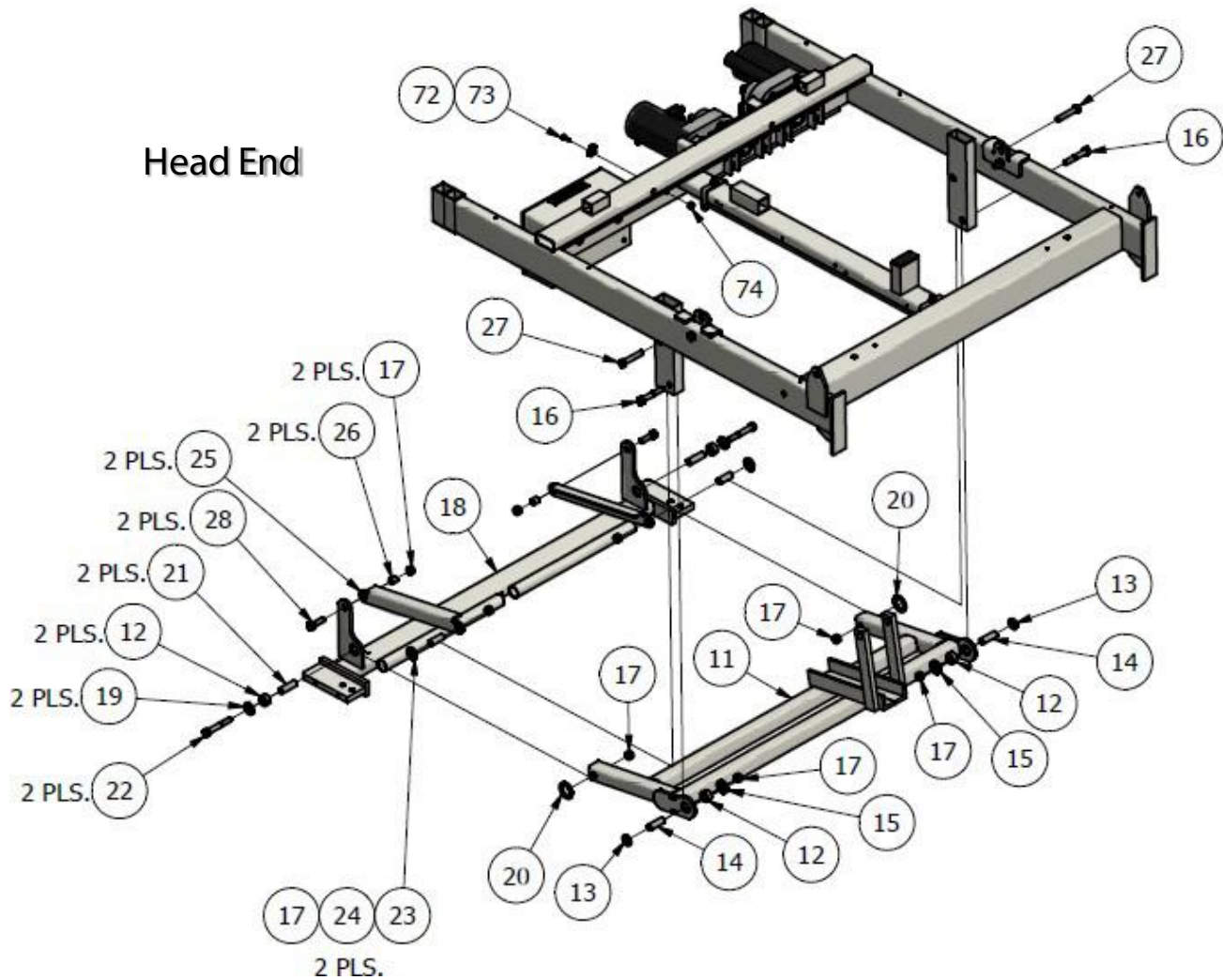
Foot End



**DETAIL "A"  
ECM SIDE VIEW  
SCALE 1 = 4**

# Technical Information

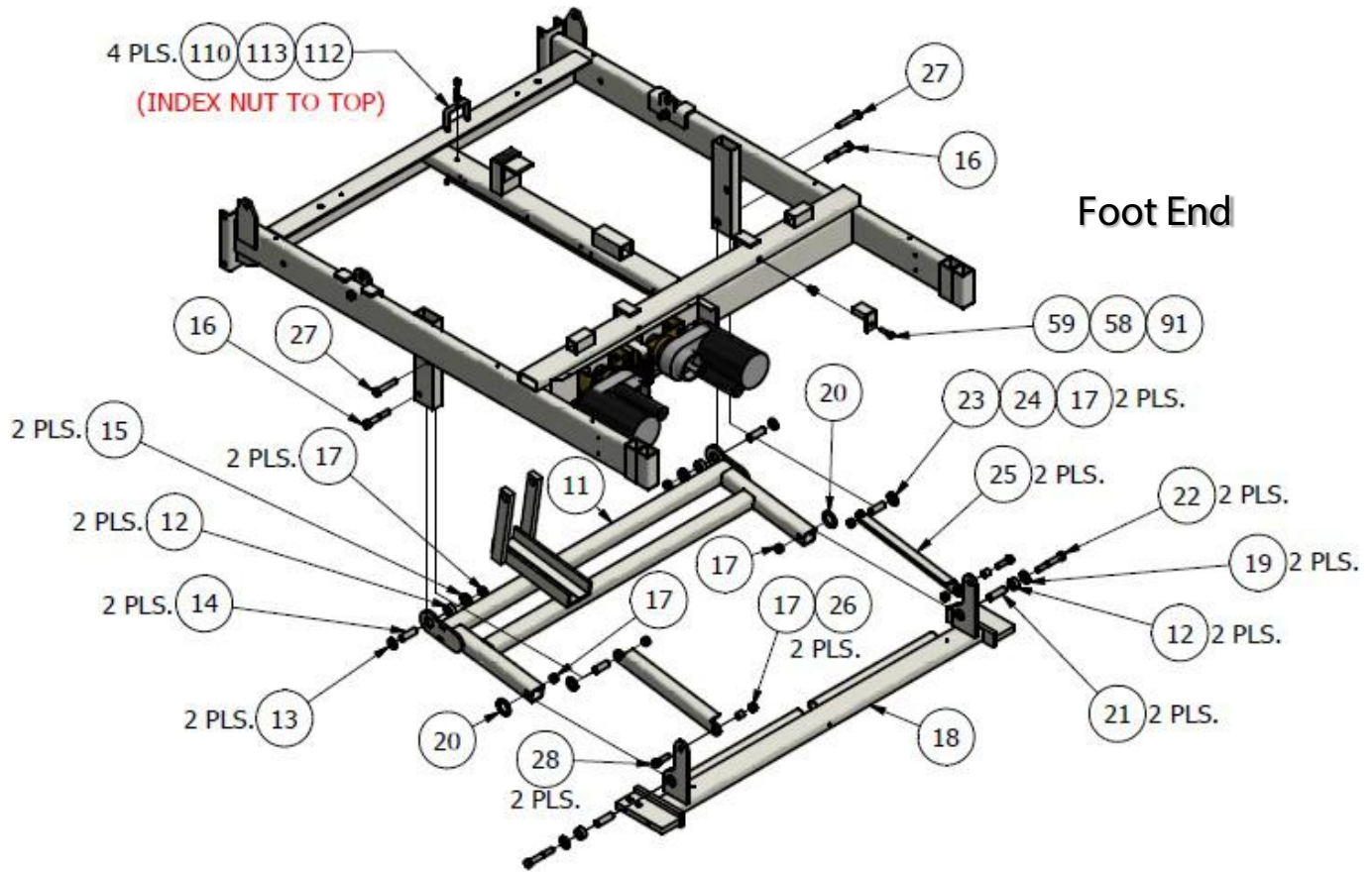
## Head Mid-Frame Assembly



**WARNING:** Many of the screws and bolts used in the bed are special high-strength fasteners. Contact an authorized Sizewise technician to assist in finding the correct fasteners. If improper fasteners are used, they could result in patient and/or user injury as well as damage to equipment or other property.

# Technical Information

## Foot Mid-Frame Assembly



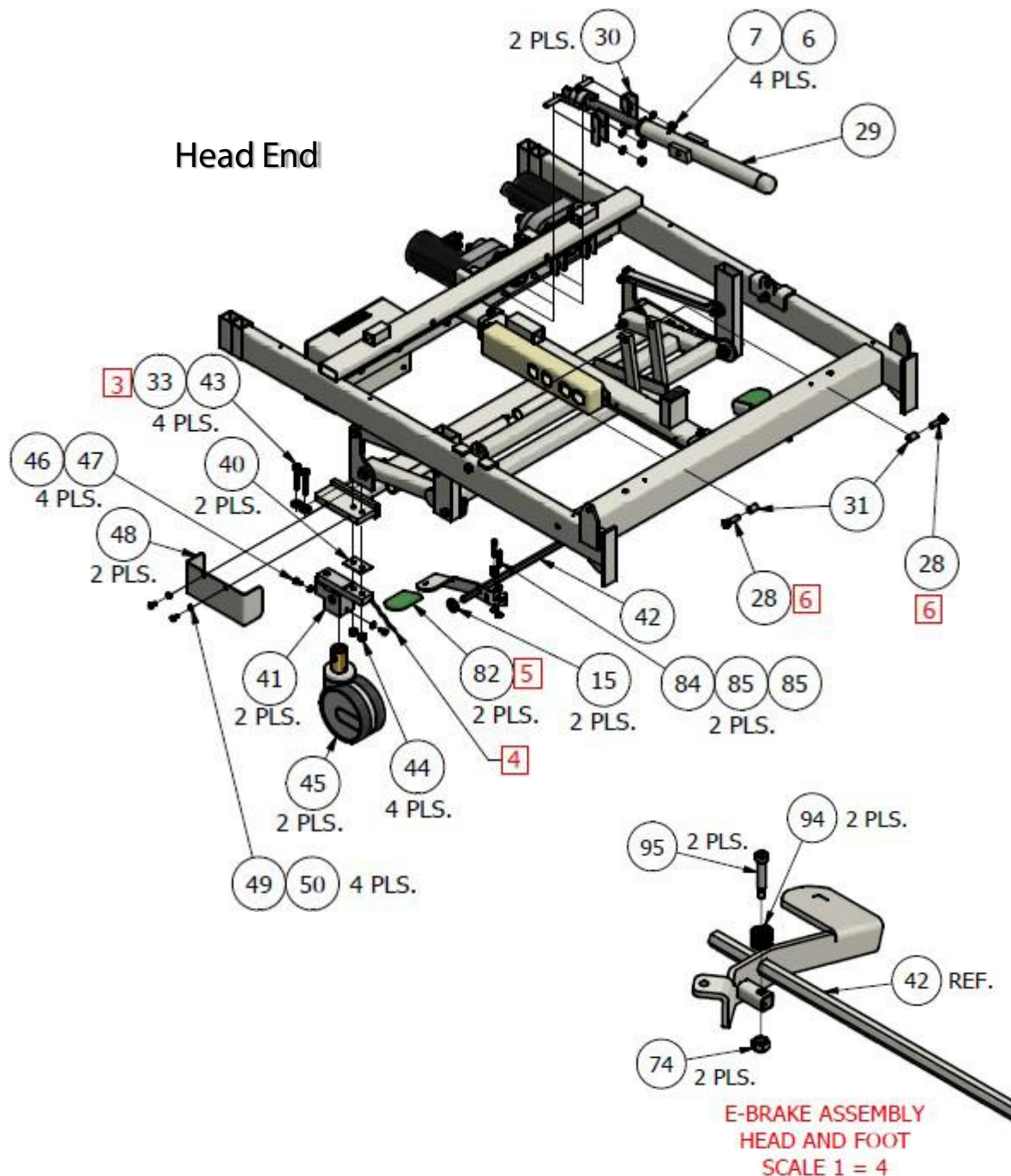
**WARNING:** Many of the screws and bolts used in the bed are special high-strength fasteners. Contact an authorized Sizewise technician to assist in finding the correct fasteners. If improper fasteners are used, they could result in patient and/or user injury as well as damage to equipment or other property.



# Technical Information

## Head Axle Assembly

1. Torque 45 lb. (2) screws and (2) places.
2. Route load cell cables and brake switch harness (item 104) through the axle tubes. To prevent pinching of wire, use zip tie to secure load cell cables to axle. Apply 64" of loom (item 90) to load cell cables. Then route load cell cables and brake switch harness through center frame. Plug load cell cables into RSS junction control box at foot end of bed.
3. Use adhesive to secure pedal cap to pedal.
4. Apply red thread locker.
13. Apply 60" of loom (item 90) to RSS power cable (part of item 102), communication cable (item 107), nurse call multi interface cable (part of item 102), and optional HI-7 cable (part of item 111) through head section center frame.

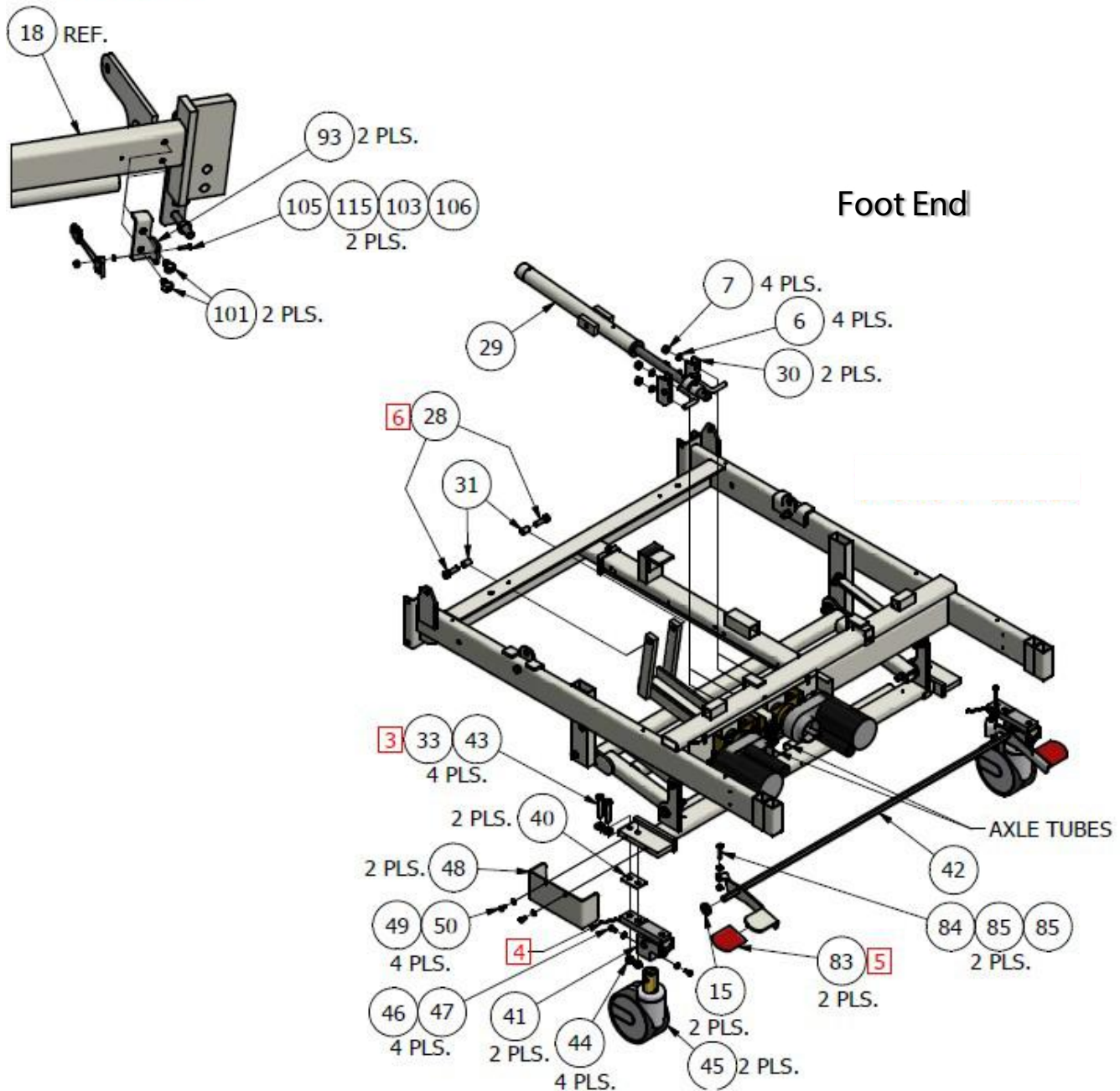


# Technical Information

## Foot Axle Assembly

3. Torque 45 lb. (2) screws and (2) places.
4. Route load cell cables and brake switch harness (item 104) through the axle tubes. To prevent pinching of wire, use zip tie to secure load cell cables to axle. Apply 64" of loom (item 90) to load cell cables. Then route load cell cables and brake switch harness through center frame. Plug load cell cables into RSS junction control box at foot end of bed.
5. Use adhesive to secure pedal cap to pedal.
6. Apply red thread locker.

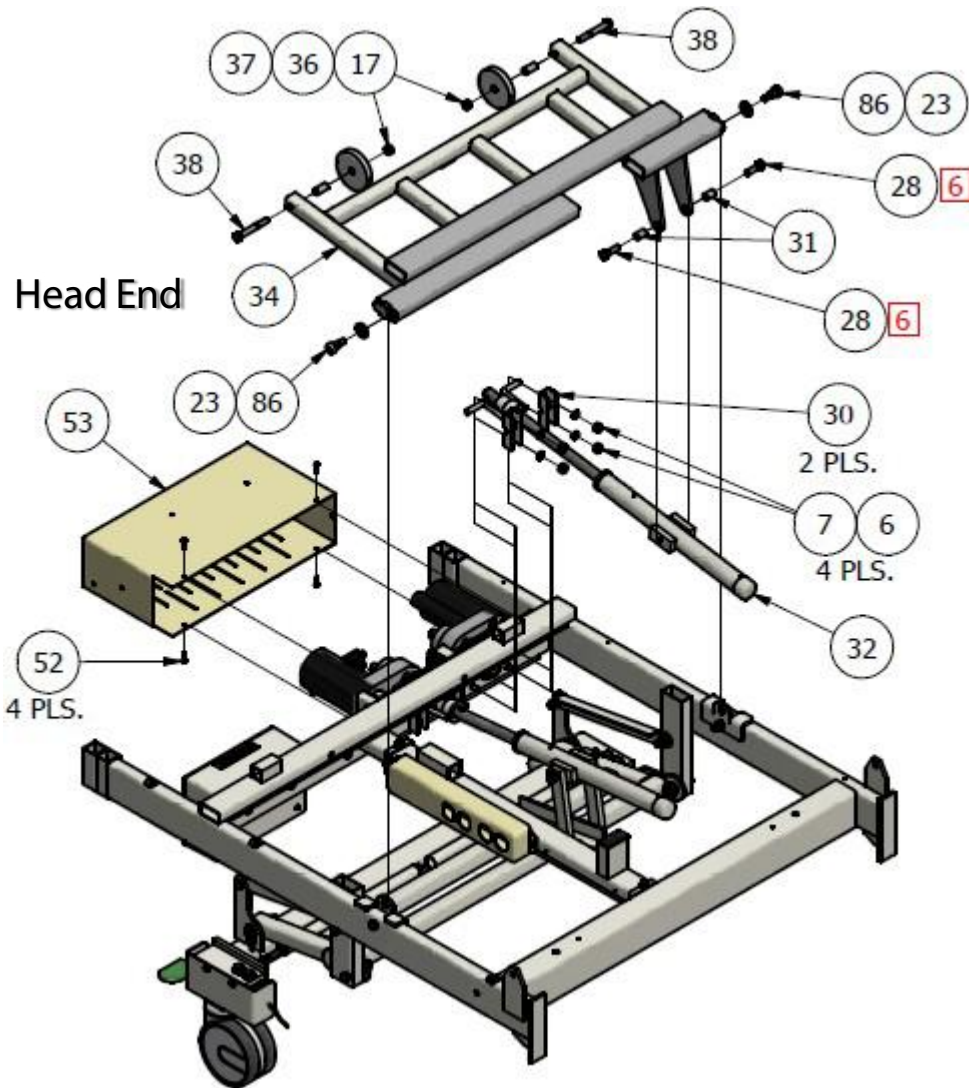
### E-BRAKE ASSEMBLY HEAD AND FOOT SCALE: 1 = 6



# Technical Information

## Head Mid-Frame Assembly

6. Apply red thread locker.



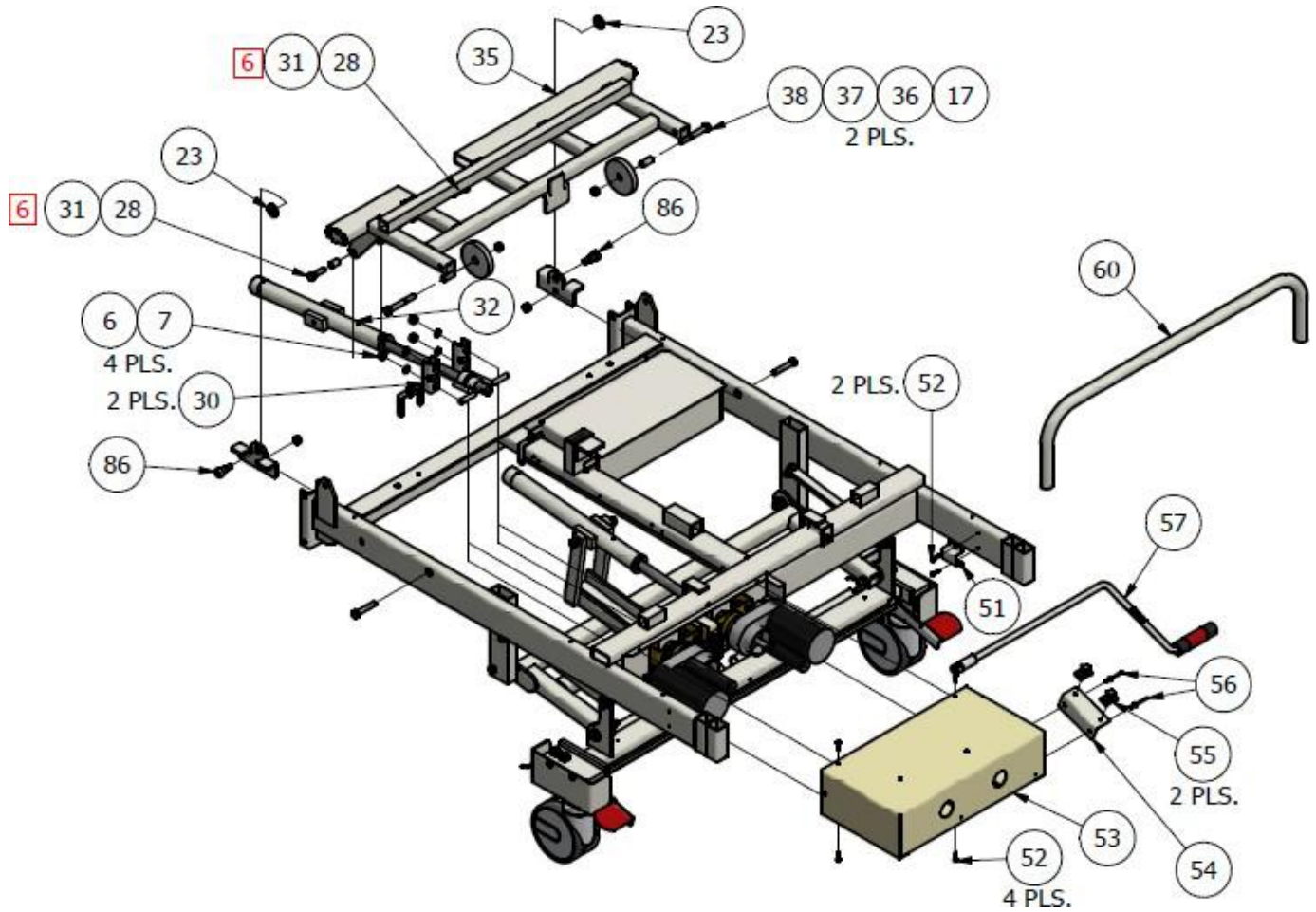
**WARNING:** Many of the screws and bolts used in the bed are special high-strength fasteners. Contact an authorized Sizewise technician to assist in finding the correct fasteners. If improper fasteners are used, they could result in patient and/or user injury as well as damage to equipment or other property.



# Technical Information

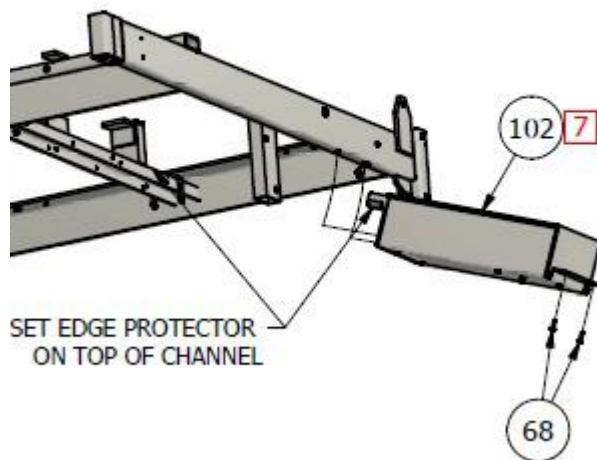
## Foot Mid-Frame Assembly

6. Apply red thread locker
7. Reference wire routing for remainder of components in (item 102).



### RSS MOUNT REFERENCE

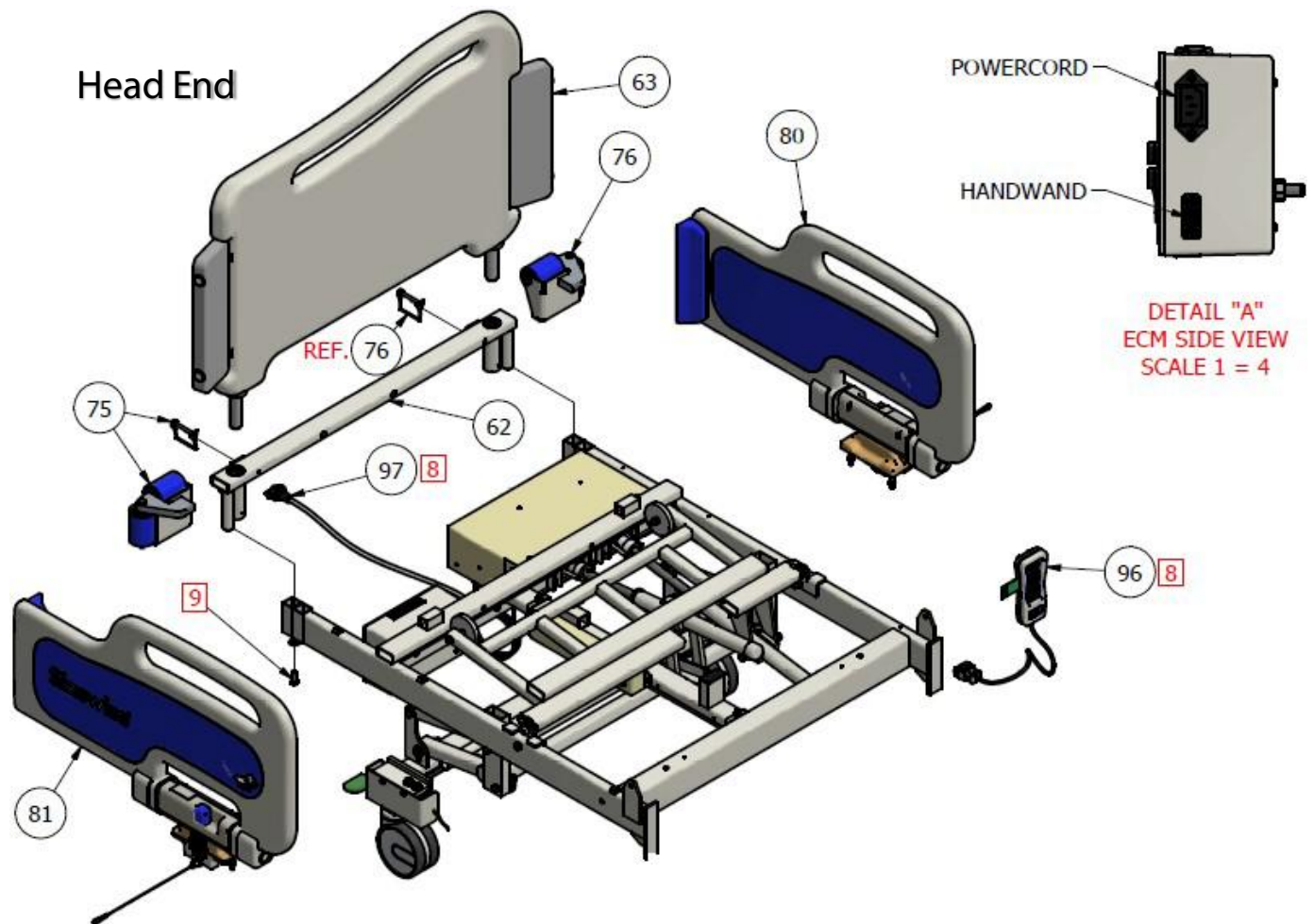
### Foot End



# Technical Information

## Head End Assembly

8. See detail "A" for ECM side view power cord and hand wand placement.
9. Use items 27001054 and 27001097 from 45050000 to mount to frame.

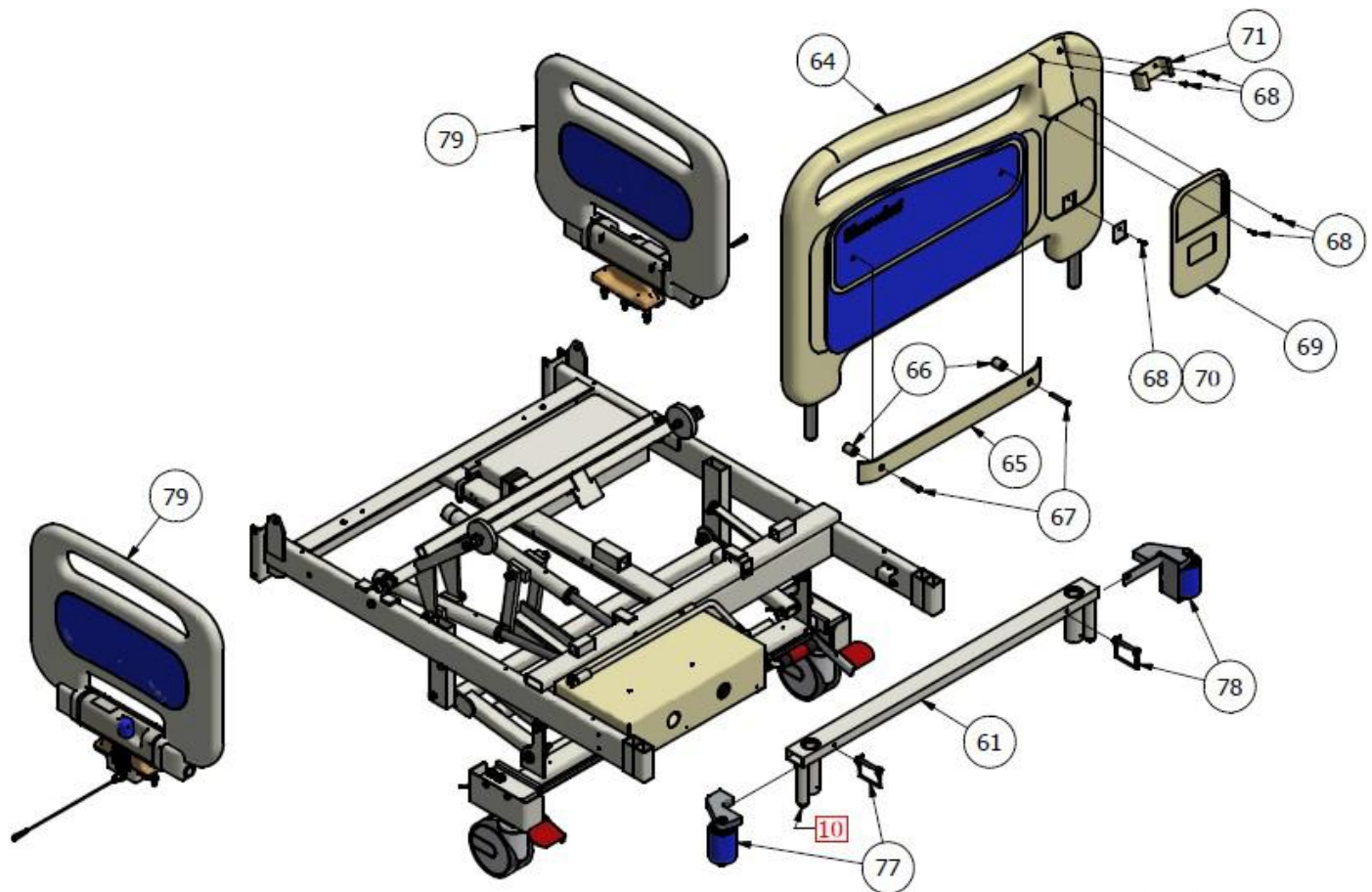


**ELECTRICAL SHOCK HAZARD WARNING:** To avoid risk of electric shock or Injury, only use manufacturer's approved power cord.

# Technical Information

## Foot End Assembly

10. Use items 27001054 and 27001097 from 29050180 to mount to frame.



Foot End



**WARNING:** Many of the screws and bolts used in the bed are special high-strength fasteners. Contact an authorized Sizewise technician to assist in finding the correct fasteners. If improper fasteners are used, they could result in patient and/or user injury as well as damage to equipment or other property.

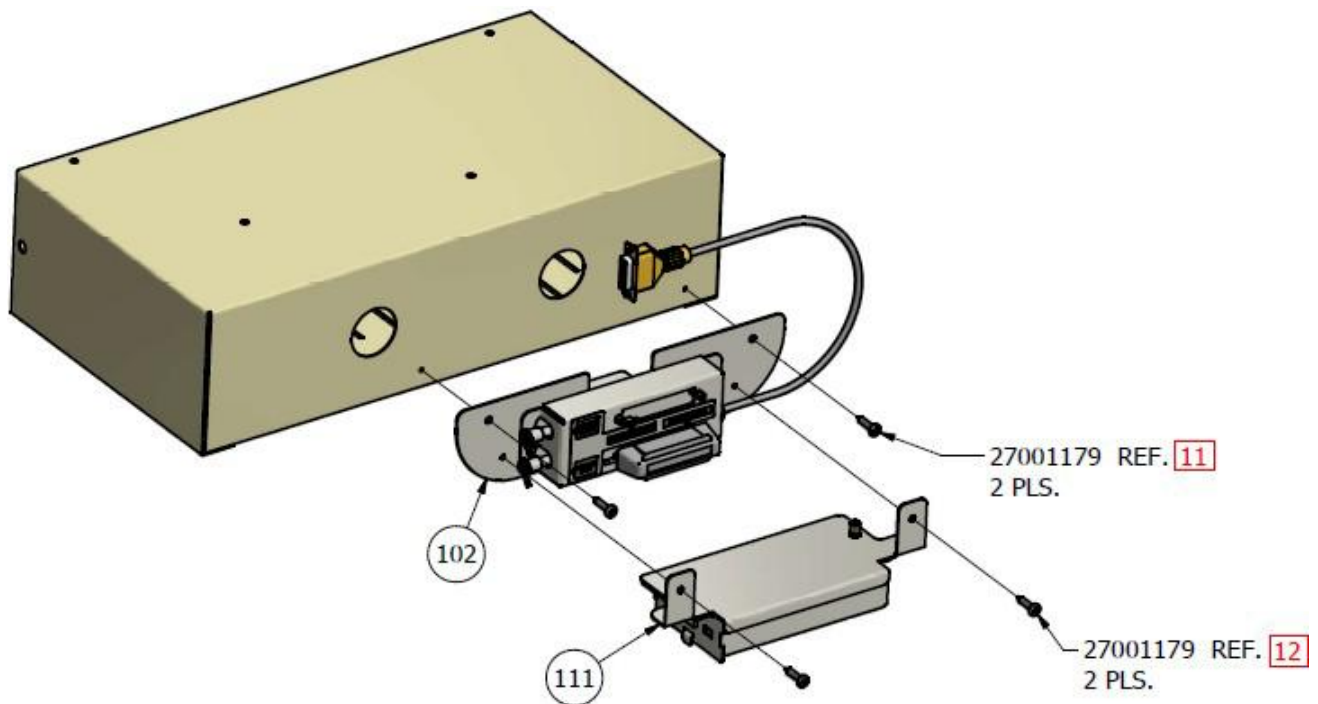
# Technical Information

## Nurse Call Detail

- 11. Part of RSS (Rest Secure System) (item 102).
- 12. Part of HL-7 system (item 108).

Head End

Scale: 1=4



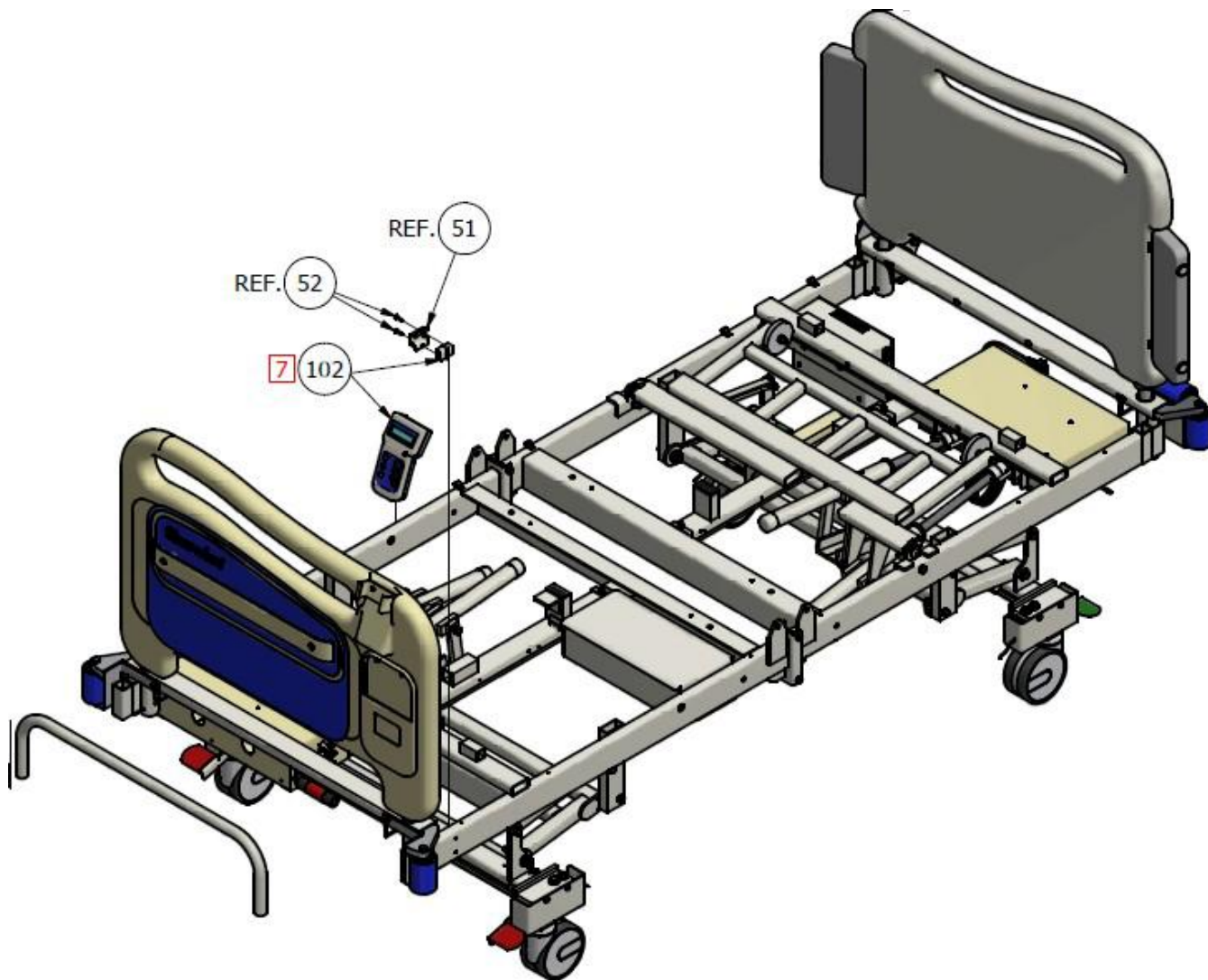
**ELECTRICAL SHOCK HAZARD WARNING:** To Avoid risk of electrical shock, inspect cables of bed and all components to ensure no cuts or fraying is present prior to use.



# Technical Information

## Hand Wand Detail

7. Reference wire routing for remainder of components in (item 102).



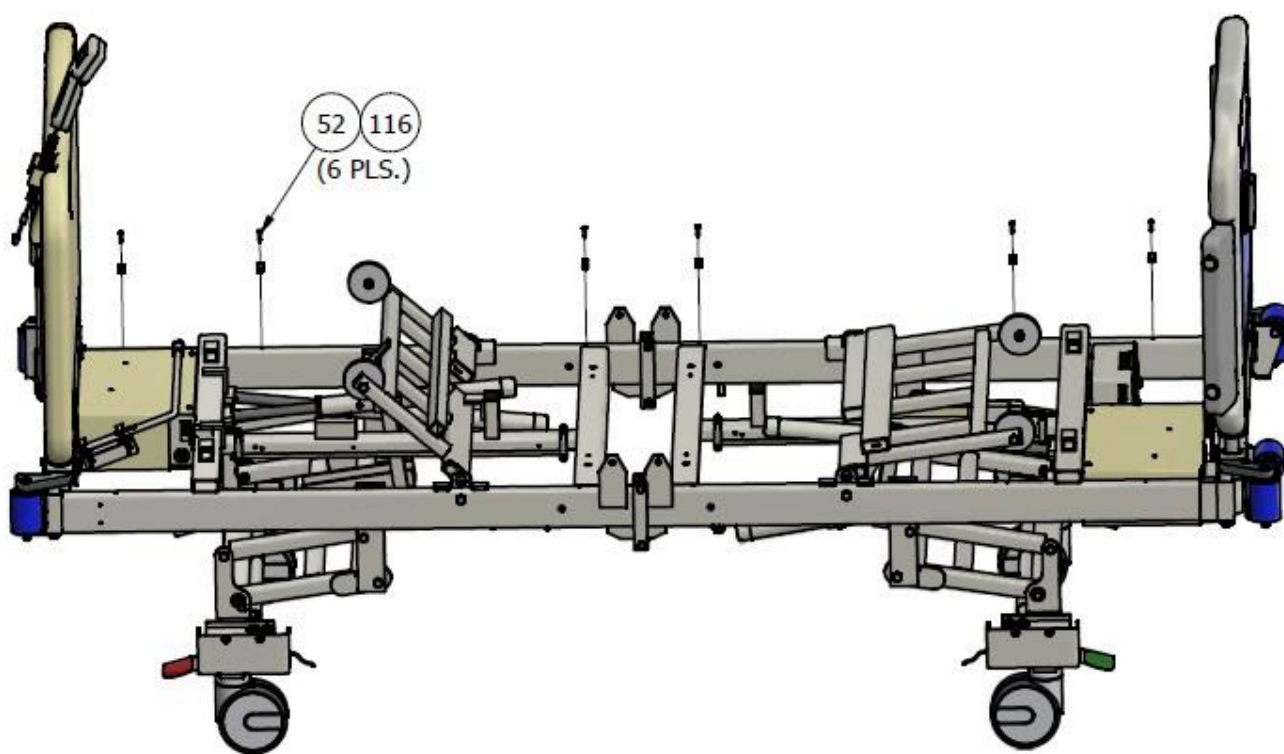
**ELECTRICAL SHOCK HAZARD WARNING:** To Avoid risk of electrical shock, inspect cables of bed and all components to ensure no cuts or fraying is present prior to use.

# Technical Information

## Bed Detail

Foot End

Head End



WARNING: BRP3™ is to be used in accordance with each facility's policies and procedures.

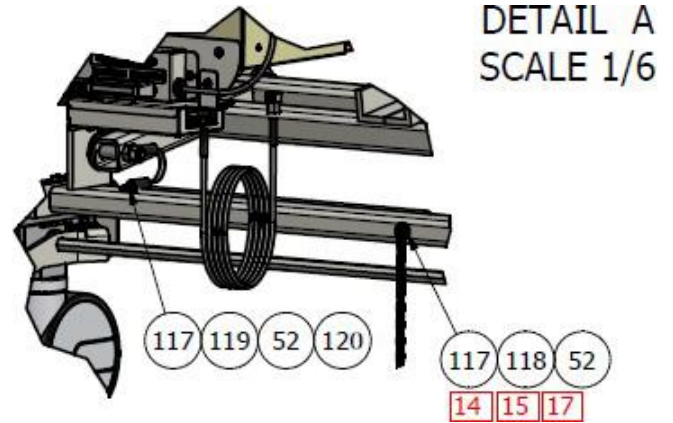
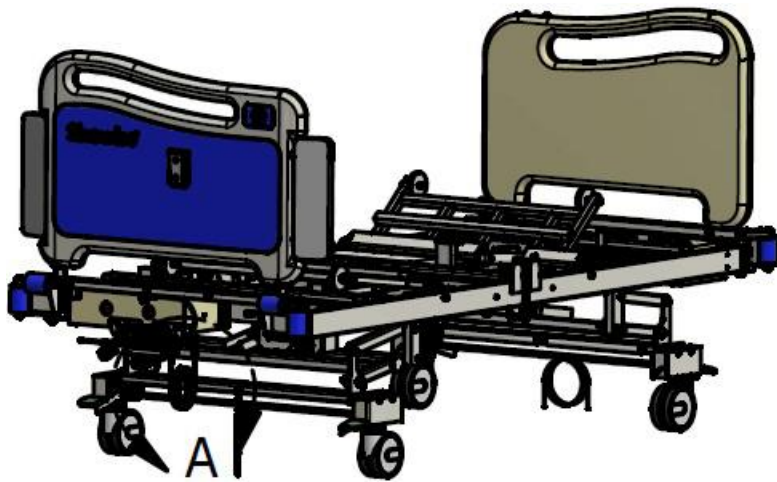


WARNING: Any change to the specifications can result in malfunction or damage to the BRP3™.

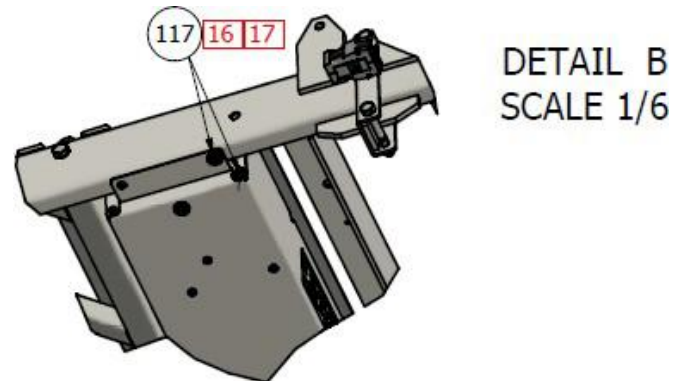
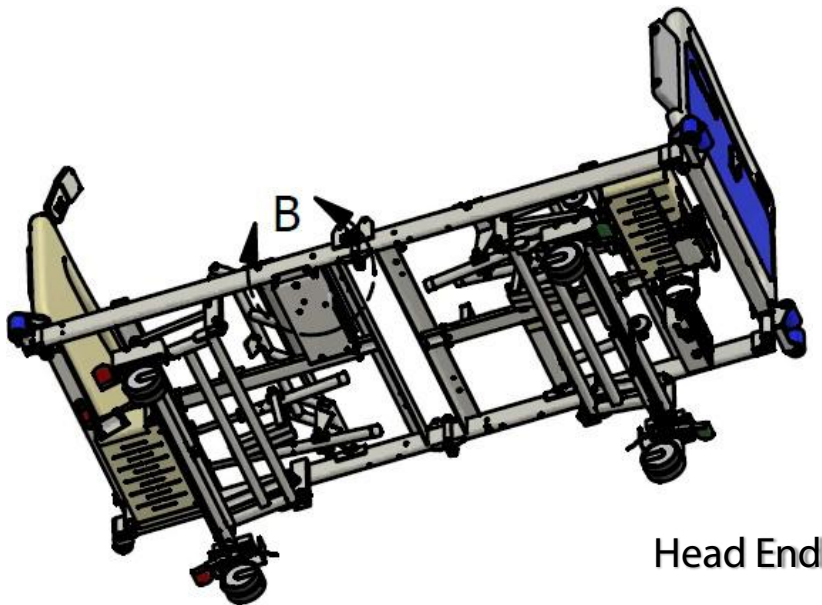
# Technical Information

## Bed Detail

14. Install ground drag chain in existing hole. (9" length).
15. Chain must be installed with fastener going through flat end of link as to prevent patient access.
16. Spin machine screw with external tooth lock washer into existing hole with no mating fastener to strip coating. This provides proper grounding connection.
17. Check ground path from tip of ground chain to RSS (Rest Secure System) box mount screw.



## Head End



Head End

# Technical Information

## Power Drive Control Parts List

Parts List							
Item	Description	Part #	Qty.	Item	Description	Part #	Qty.
1	BUMPER MOUNT WELDMENT- SW2000	29031200	1	26	4.75 " GRIP	27001766	2
2	BED DRIVE ARM ZINC	27006128	1	27	BRP-3 HEAD PIECE	27001775	1
3	HANDLEBAR SADDLE ASSEMBLY	29031220	1	28	BED DRIVE CONTROL HEAD COVER	27001768	1
4	BED DRIVE FRICTION DISC	27001763	1	29	BED DRIVE TOUCH PAD	27001842	1
5	COMPRESSION SPRING	27001760	1	30	WIGWAG HANDLE	29031340	1
6	SHOULDER BOLT	27000273	1	31	WIGWAG CABLE HARNESS	27001783	1
7	NYLON INSERT LOCKNUT 3/8-16	27001010	1	32	1/2" Cable Clip	27000235	1
8	#8-32 X 3/8 PHILLIPS PAN HEAD	27003344	4	33	4-40 X 3/8 PAN HEAD TCS	27001187	4
9	SWIVEL COVER	27001771	1	34	BHSCS 1/4-20 X 3/4	27001435	2
10	KNOB	27001761	1	35	ESCORT DRIVE PCB	27001784	1
11	1/4-20 HALF HEX PEM	27003064	2	36	PEM NUT - 8-32 x .020-.080 GRIP	27003264	2
12	5/16-18 X 3" HCS	27001178	1	37	1X2 RECT PLASTIC TUBE PLUG	27000241	2
13	WASHER FLAT CUT 5/16	27001054	1	38	BED DRIVE CONTROL HARNESS	29070250	1
14	NYLON LOCKNUT 5/16-18	27001105	1	39	WASHER FLAT CUT 1/4	27001039	1
15	WIG WAG ASSEMBLY	27001774	1	40	8-32 X 3/8 FHPLMS	27003265	2
16	BED DRIVE BASE MOUNT PIN	29001260	2	41	MS PHIL PAN 6-32 X 1/4	27001200	2
17	#8-32 X 1 1/4" PHILIPS PAN HEAD	27001764	2	42	BUMPER TAPE 3M	27000390	1"
18	#8-32 NYLON LOCK NUT	27621018	2	43	DECK ENTRAPMENT TAPE BULK	27001896	2"
19	LOWER BASE COVER	27001772	1	44	.507" X .775" X .25" NYLON SPACER	27001897	2
20	LANYARD	27001765	2	45	WIGWAG JUMPER	29070260	1
21	HEADBOARD LOCK ASSEMBLY ZINC	27006129	1	46	MAIN GROUND	29070270	1
22	FEMALE CONNECTOR W/PLATE	27503505	1	47	3/16 OD X .115 ID X 1/8 BUSHING	27001893	4
23	1/8" MULTI GRIP ALUM. RIVET	27000111	2	48	SELF DRILL SCREW	27001179	2
24	SHOULDER BOLT	27001762	1	49	BLACK CAP	27001795	2
25	EMERGENCY STOP	27001770	1	50	10-24 X 1/2 TRUSS PHP MS	27003259	1



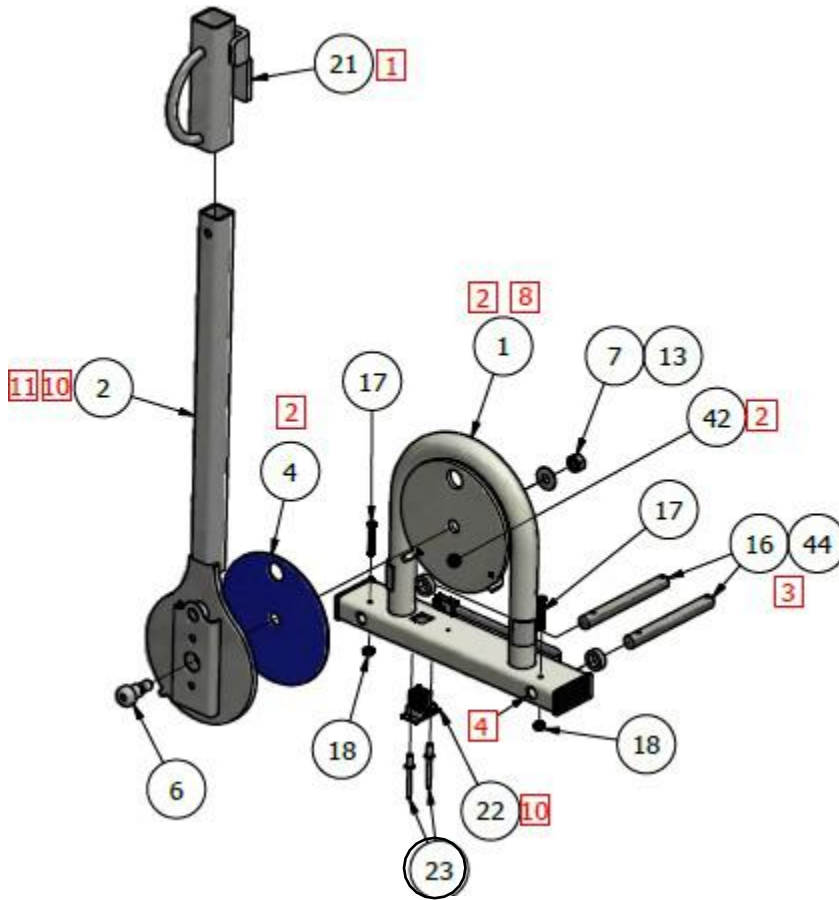
**WARNING:** Do not attempt to install, perform maintenance, or use this product without first reading and understanding these instructions and accompanying documents such as, the User Manual, Technical Manual, and Work Instructions. If you do not understand these instructions, or documents referenced, contact Sizewise at 1-800-814-9389.



# Technical Information

## Bed Drive Controller

1. Install item 21 before crimping item 11 (hex pem nut).
2. Join friction disc (item 4) to bed drive arm zinc (item 2) using 1" long piece of 3M\_468 double sided adhesive tape (item 42). Position tape as shown.
3. Apply adhesive to base of pin (item 16) next to bumper mount (item 1) and slide spacer (item 44) to lock in place.
4. Remove all paint inside pin mount holes (2 pls.).

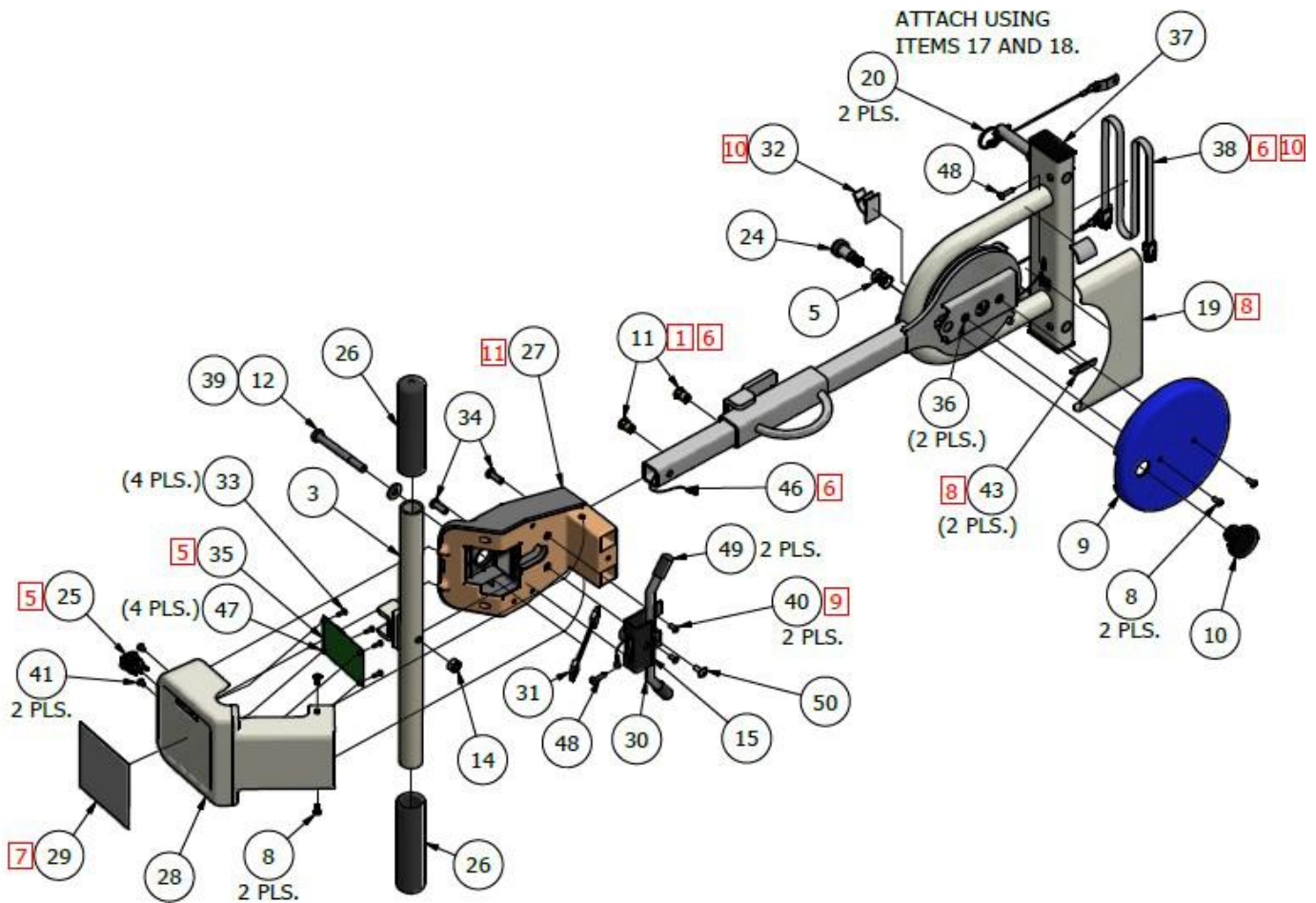


**WARNING:** Many of the screws and bolts used in the bed are special high-strength fasteners. Contact an authorized Sizewise technician to assist in finding the correct fasteners. If improper fasteners are used, they could result in patient and/or user injury as well as damage to equipment or other property.

# Technical Information

## Bed Drive Controller

5. Connect wires from printed circuit board (item 35) to terminals 1 and 2 on emergency stop (item 25).
6. Route harness before crimping item 11 (hex pem nut).
7. Clean surface of control head cover (item 28) before adhering touch pad.
8. Join lower base cover (item 19) to bumper mount weldment (item 1) using (2) 1" long pieces of 3M VHB double sided adhesive tape (item 43). Position as shown.
9. Countersink mount holes.

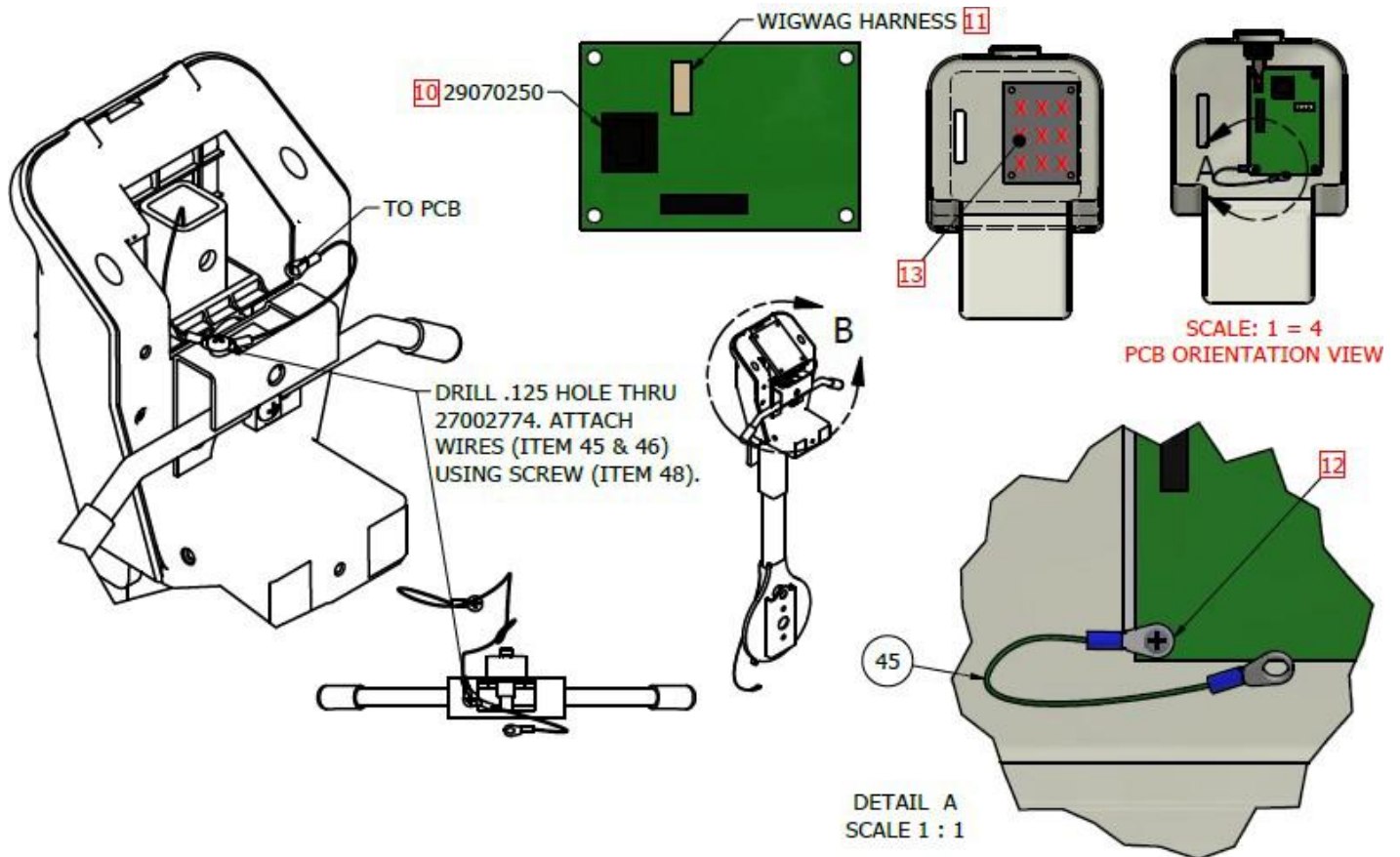


**WARNING:** Many of the screws and bolts used in the bed are special high-strength fasteners. Contact an authorized Sizewise technician to assist in finding the correct fasteners. If improper fasteners are used, they could result in patient and/or user injury as well as damage to equipment or other property.

# Technical Information

## Bed Drive Controller

10. Route 29070250 (item 38) thru bed drive arm (item 2). Route through item 2 at base of tube to item 32. Then plug into item 22.
11. Route WIGWAG harness (item 31) alongside item 2 into item 27 then plug into the WIGWAG terminal on item 35.
12. Use 27001187 (item 33) to secure 29070260 (item 45) to circuit board.
13. Apply anti-static to inside surface of bed drive control head cover (item 28) before installation of printed circuit board (item 35).



**ELECTRICAL SHOCK HAZARD WARNING:** Inappropriate handling of the power supply cord, (e.g. by kinking, shearing, other mechanical damages) is hazardous.

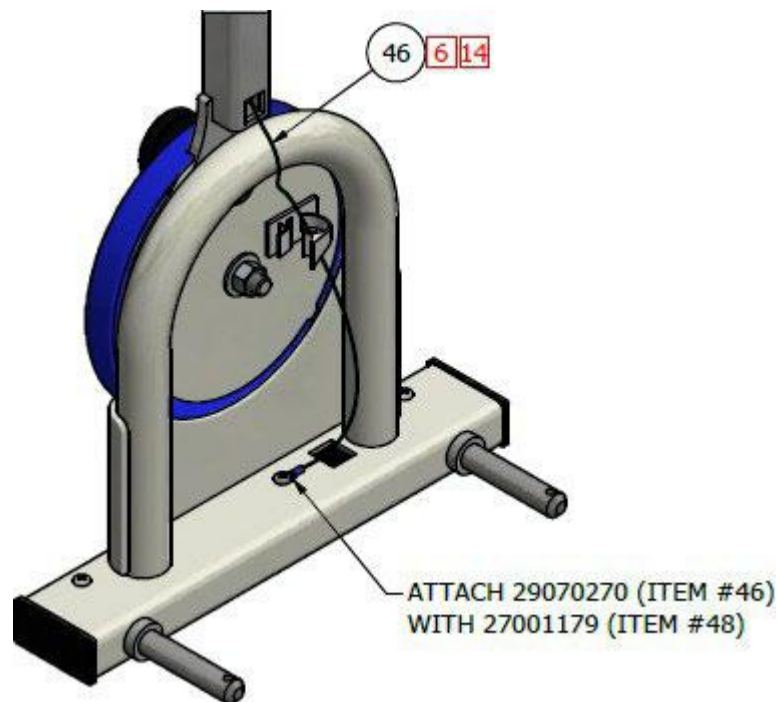


**ELECTRICAL SHOCK HAZARD WARNING:** To Avoid risk of electrical shock, inspect cables of bed and all components to ensure no cuts or fraying is present prior to use.

# Technical Information

## Bed Drive Controller

14. Route 29070270 (item 46) thru bed drive arm (item 2). Route thru item 2 at base of tube to item 32. Then mount as shown.



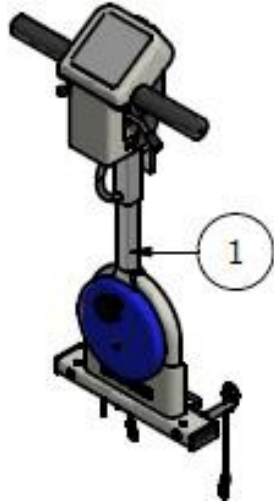
**ELECTRICAL SHOCK HAZARD WARNING:** Inappropriate handling of the power supply cord, (e.g. by kinking, shearing, other mechanical damages) is hazardous.



**ELECTRICAL SHOCK HAZARD WARNING:** To Avoid risk of electrical shock, inspect cables of bed and all components to ensure no cuts or fraying is present prior to use.

# Technical Information

## Bed Drive

Parts List							
Item	Description	Part #	Qty.	Item	Description	Part #	Qty.
1	BED DRIVE CONTROLLER ASSY.	29051200	1	26	2 FT POWER CORD	27001655	1
2	BRP-3 POWER DRIVE ASSY	27001895	1	27	1/2" SPLIT LOOM	27000217	18"
3	BARIATRIC DRIVE BATTERY	27001786	2	28	MALE TO MALE CONN.	27001788	1
4	BATTERY LIFT STRAP	29001390	2	29	11" ZIP TIE	N/A	5
5	BATTERY CRADLE SPACER	29001370	1	30	4" ZIP TIE	N/A	8
6	BATTERY BACK GUARD	29001400	1	31	INPUT VOLTAGE LABEL	27008158	1
7	BATTERY SEPERATOR BLOCK	29001380	1	32	EMERGENCY RELEASE LABEL	27008159	1
8	#8-16 X .625 PHP PLASTIC SCREW	27001787	3	33	BED DRIVE WIRE TRAY	29031455	1
9	BATTERY COVER	29031430	1	34	SELF-DRILL PHP 8-18X1/2"	27001179	2
10	3/16 TRIM LOK	27001312	3"	35	8-32 X .328 U-PANEL NUT	27003069	2
11	BED DRIVE MOUNTING BRKT	29031440	2	36	STEEL SASH CHAIN	27001132	.58'
12	HCS 3/8-16 X 1 1/4	27001025	6				
13	HCS 3/8-16 X 1"	27001097	2				
14	3/8" WASHER - FLAT CUT	27001089	16				
15	NYLON INSERT LOCKNUT 3/8-16	27001010	8				
16	#8-32 X 5/8" MS PHIL PAN	27001933	6				
17	#8-32 NYLON LOCK NUT	27621018	4				
18	HCS 1/4-20X3/4" G5 ZP	27001299	2				
19	WASHER FLAT CUT 1/4"	27001039	2				
20	SHCS 10-32 X 3/4"	27000314	1				
21	CUSHION CLAMP	27001657	1				
22	NYLON INSERT LNUT 10-32	27001110	1				
23	BARIATRIC BED DRIVE COVER	29031450	1				
24	LARGE RACEWAY/WIRING DUCT	27003216	10"				
25	#10 SS FLAT WASHER	27000663	2				



**WARNING:** Many of the screws and bolts used in the bed are special high-strength fasteners. Contact an authorized Sizewise technician to assist in finding the correct fasteners. If improper fasteners are used, they could result in patient and/or user injury as well as damage to equipment or other property.

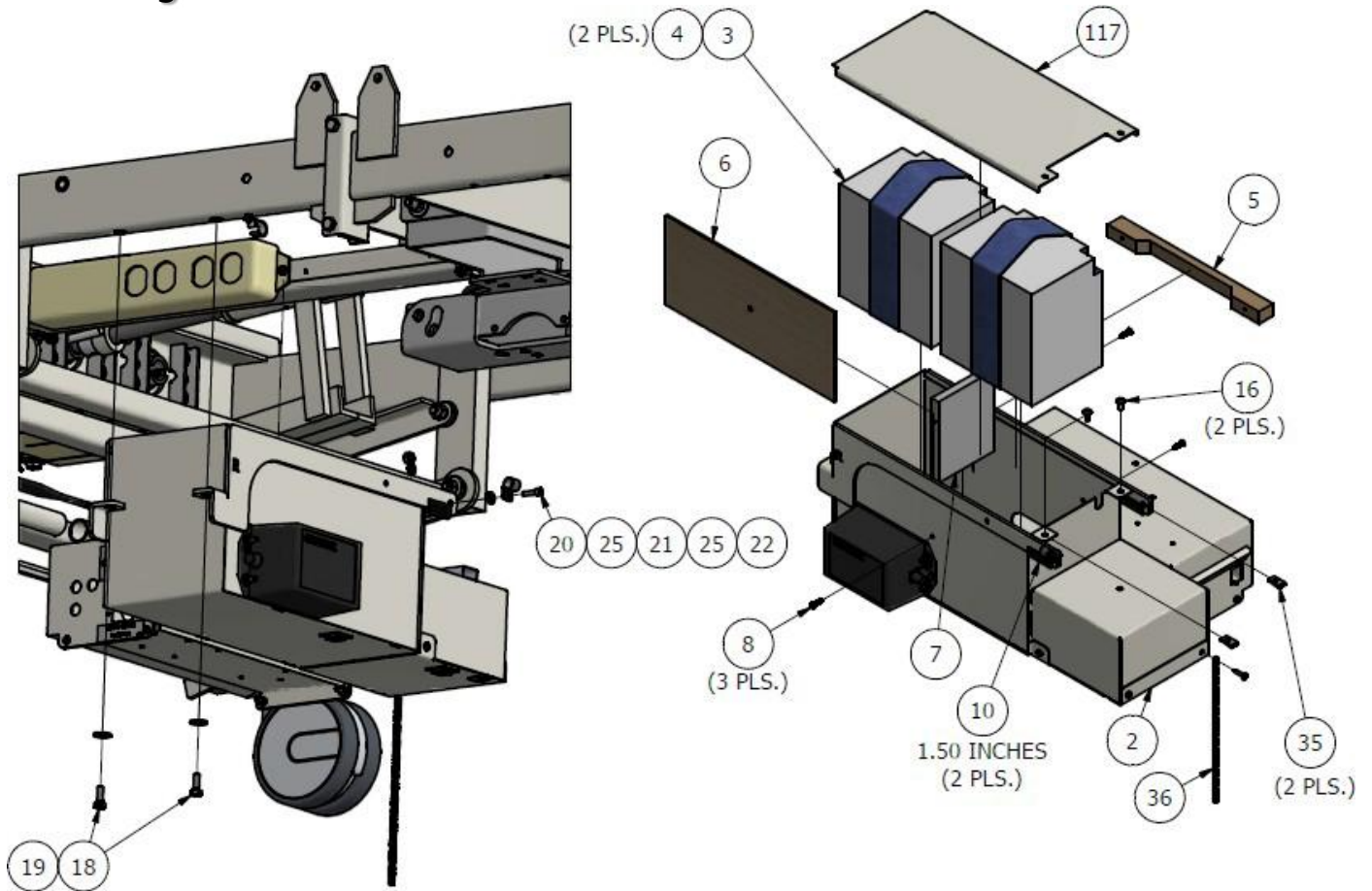


# Technical Information

## Bed Drive

### Head End

### Patient Right Hand Side



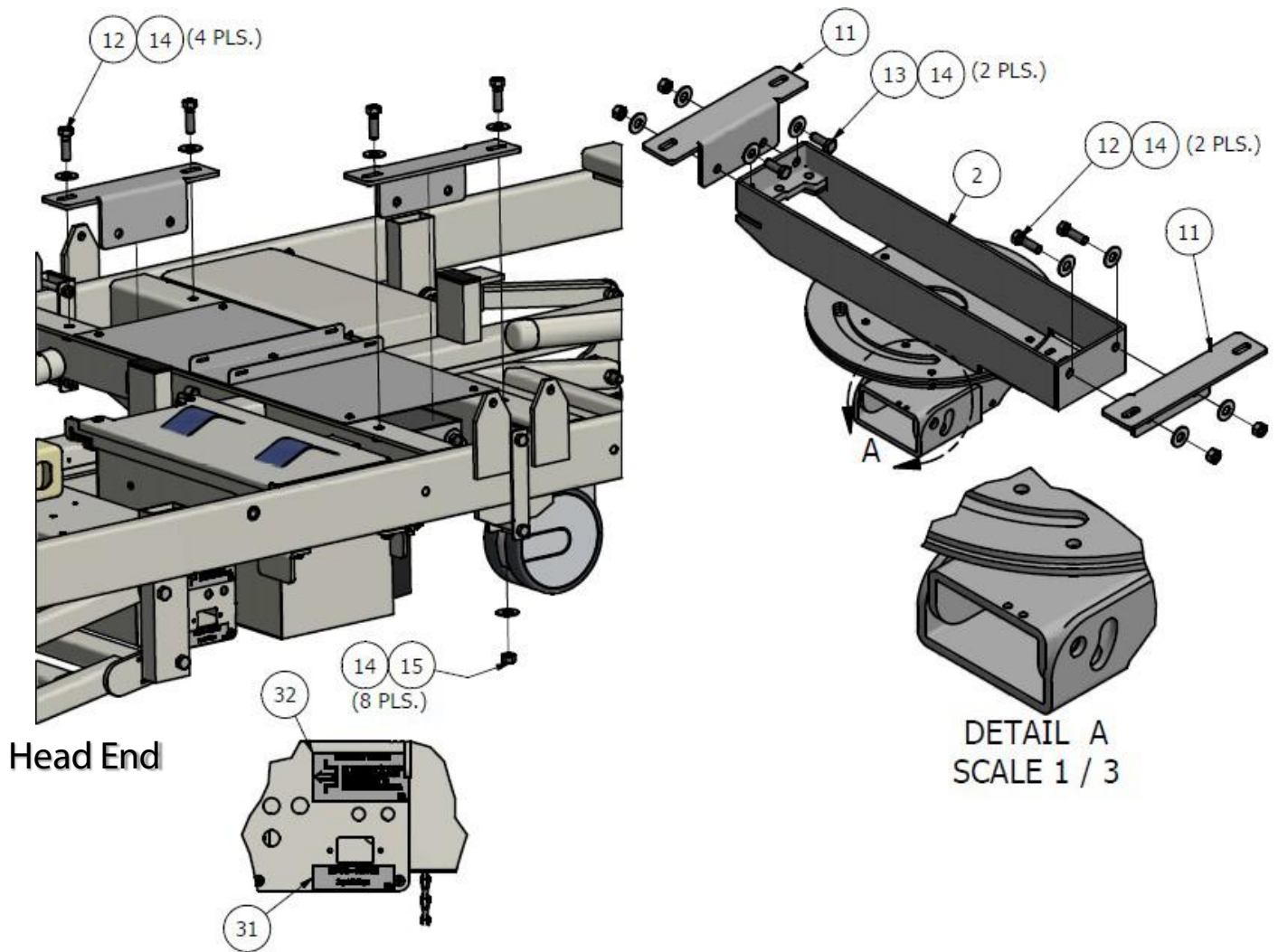
**ELECTRICAL SHOCK HAZARD WARNING:** Inappropriate handling of the power supply cord, (e.g. by kinking, shearing, other mechanical damages) is hazardous.



**ELECTRICAL SHOCK HAZARD WARNING:** To Avoid risk of electrical shock, inspect cables of bed and all components to ensure no cuts or fraying is present prior to use.

# Technical Information

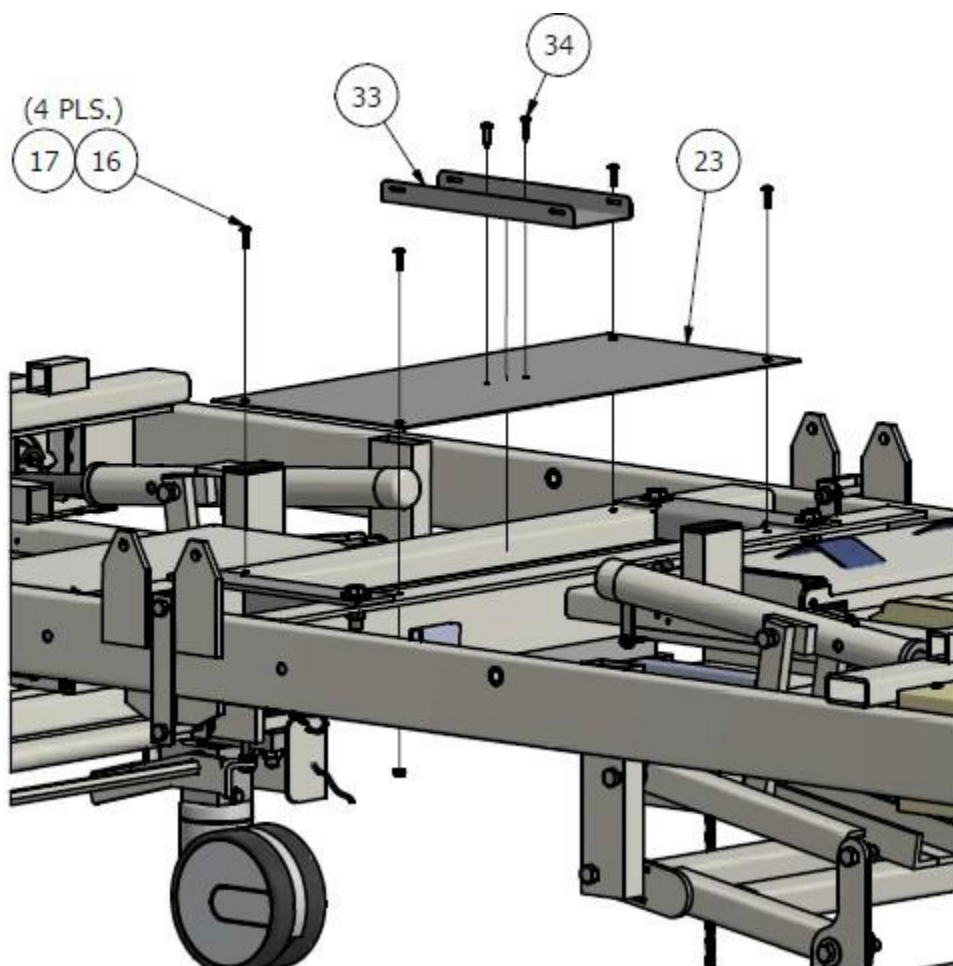
## Bed Drive



**WARNING:** Many of the screws and bolts used in the bed are special high-strength fasteners. Contact an authorized Sizewise technician to assist in finding the correct fasteners. If improper fasteners are used, they could result in patient and/or user injury as well as damage to equipment or other property.

# Technical Information

## Bed Drive

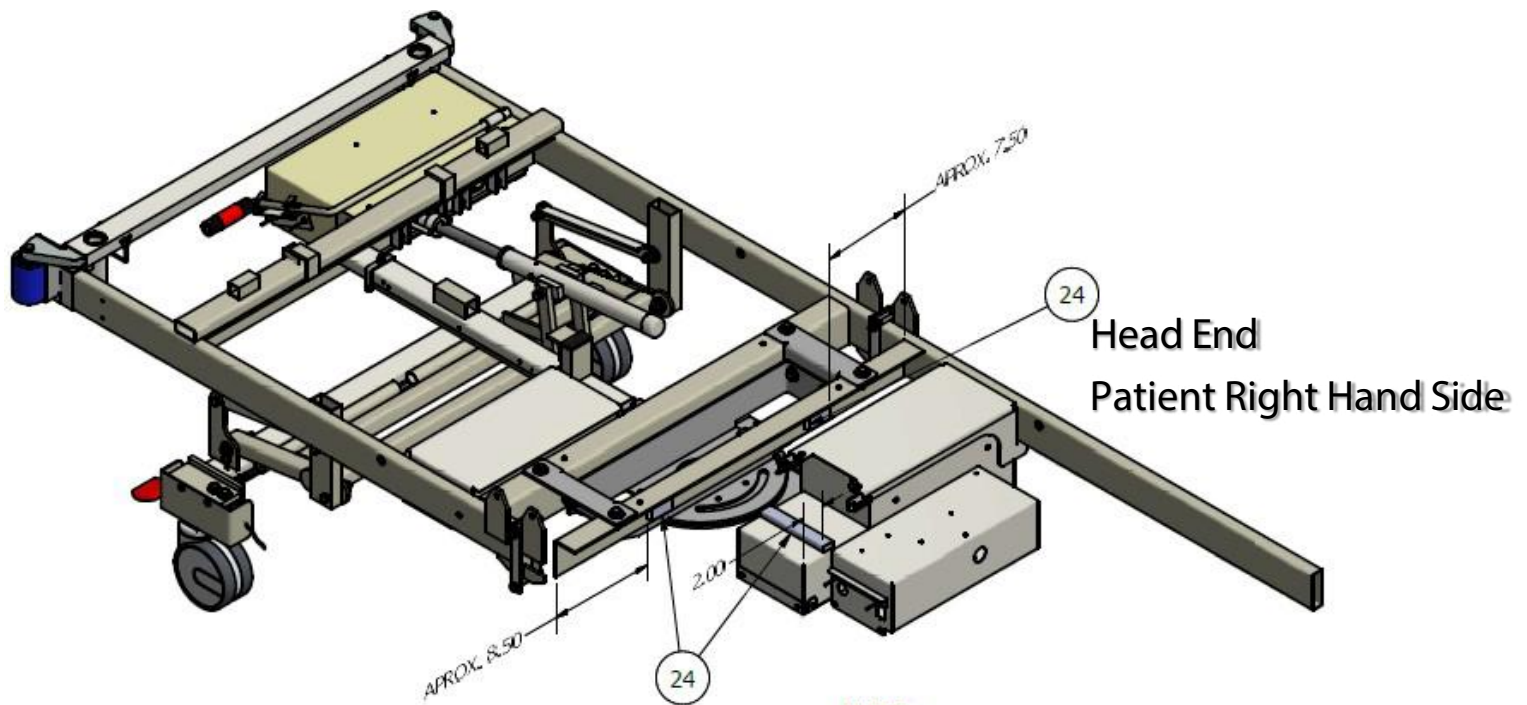


**WARNING:** Many of the screws and bolts used in the bed are special high-strength fasteners. Contact an authorized Sizewise technician to assist in finding the correct fasteners. If improper fasteners are used, they could result in patient and/or user injury as well as damage to equipment or other property.



# Technical Information

## Bed Drive



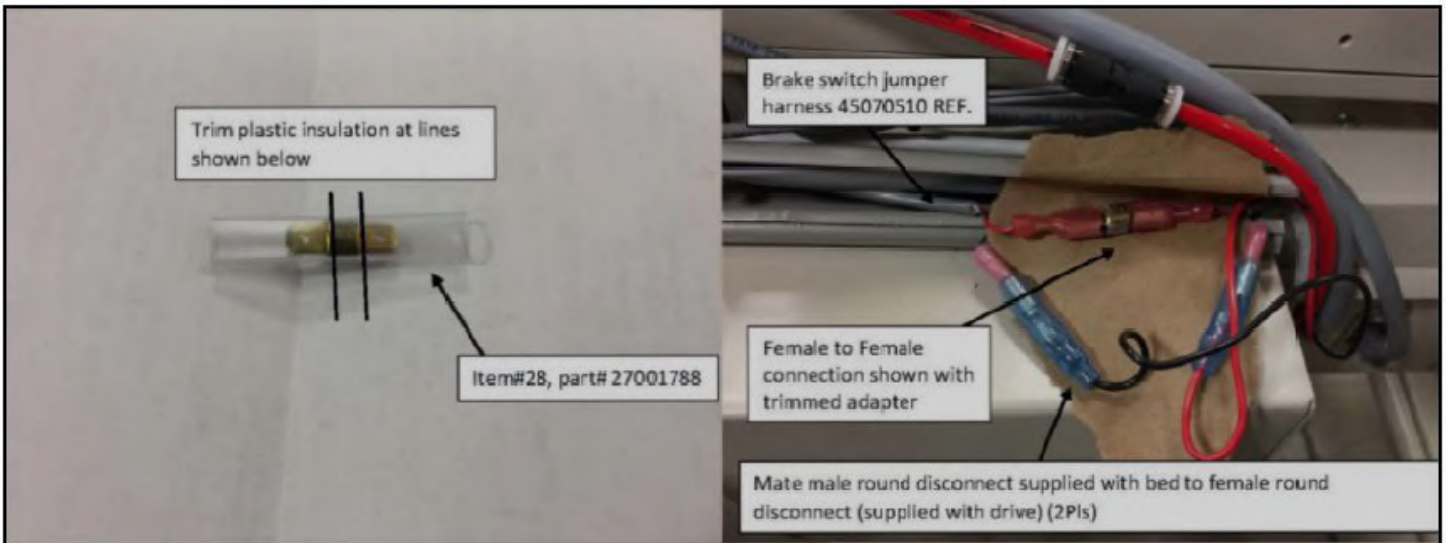
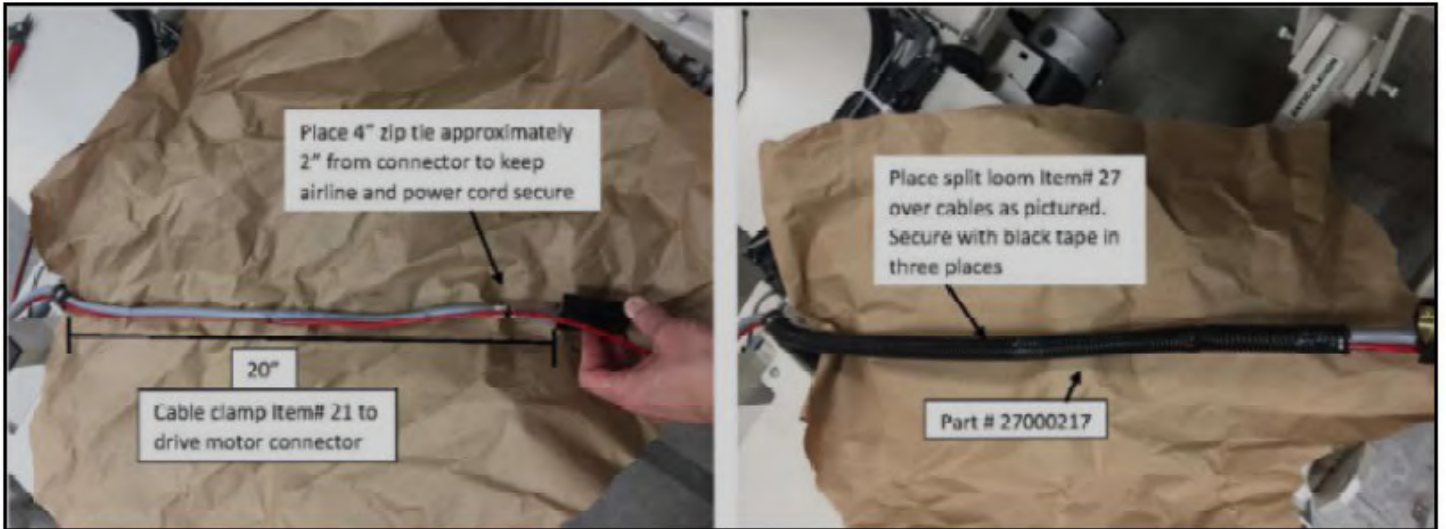
**NOTE:**  
1. TRIM LARGE RACEWAY INTO THREE PIECES,  
TWO AT 2 INCHES AND ONE AT 6 INCHES.  
INSTALL AS SHOWN ABOVE. (3 PLS.)



**WARNING:** Many of the screws and bolts used in the bed are special high-strength fasteners. Contact an authorized Sizewise technician to assist in finding the correct fasteners. If improper fasteners are used, they could result in patient and/or user injury as well as damage to equipment or other property.

# Technical Information

## Bed Drive



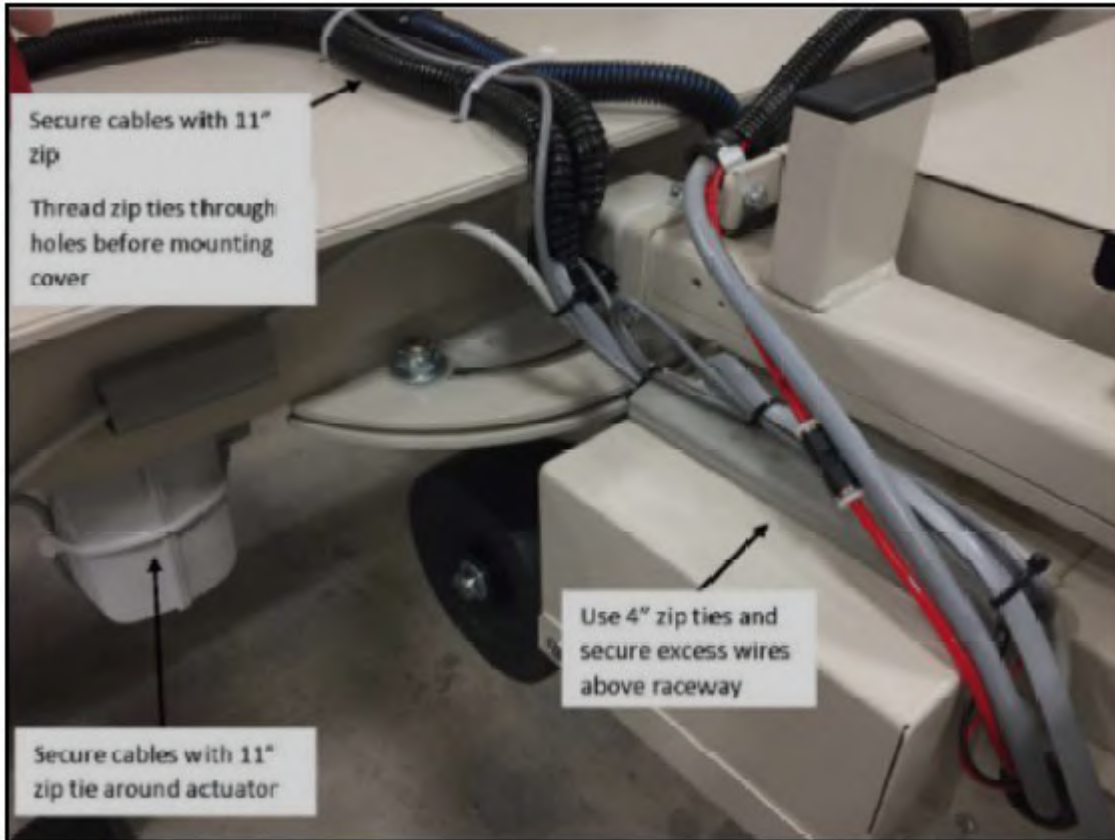
**ELECTRICAL SHOCK HAZARD WARNING:** Inappropriate handling of the power supply cord, (e.g. by kinking, shearing, other mechanical damages) is hazardous.



**ELECTRICAL SHOCK HAZARD WARNING:** To Avoid risk of electrical shock, inspect cables of bed and all components to ensure no cuts or fraying is present prior to use.

# Technical Information

## Bed Drive



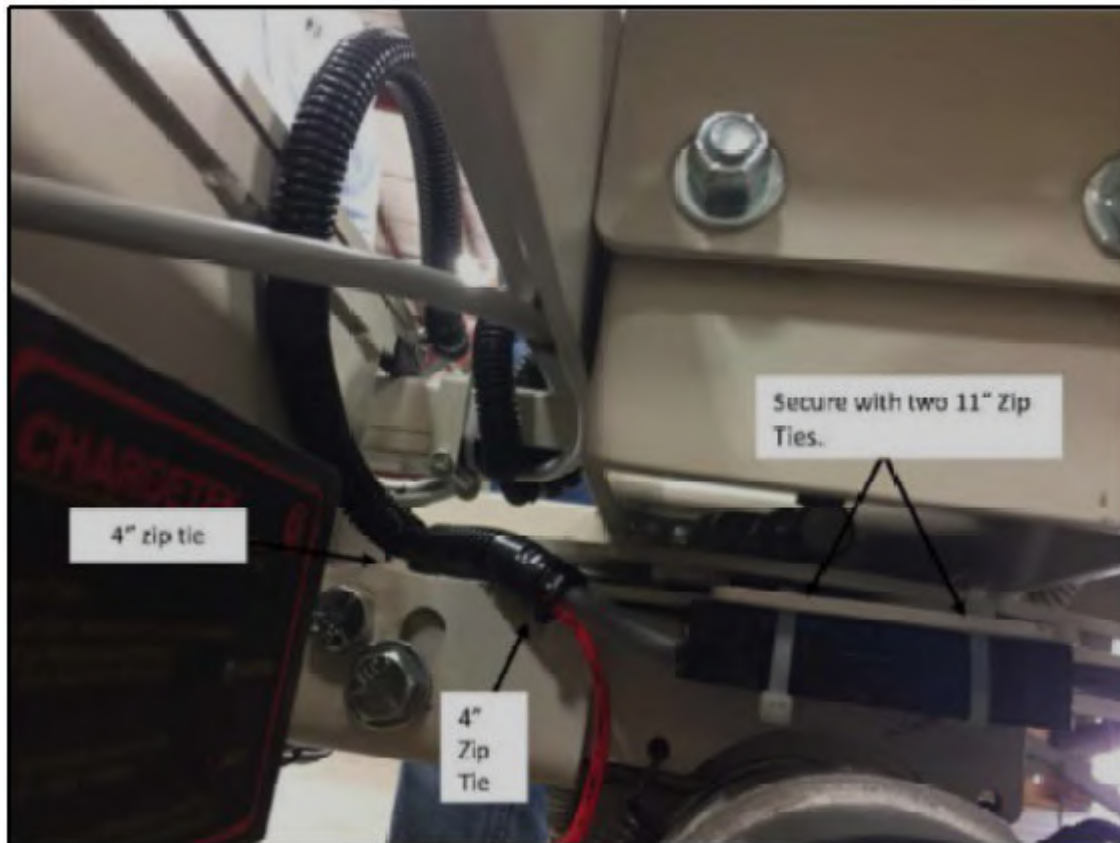
**ELECTRICAL SHOCK HAZARD WARNING:** Inappropriate handling of the power supply cord, (e.g. by kinking, shearing, other mechanical damages) is hazardous.



**ELECTRICAL SHOCK HAZARD WARNING:** To Avoid risk of electrical shock, inspect cables of bed and all components to ensure no cuts or fraying is present prior to use.

# Technical Information

## Bed Drive



**ELECTRICAL SHOCK HAZARD WARNING:** Inappropriate handling of the power supply cord, (e.g. by kinking, shearing, other mechanical damages) is hazardous.

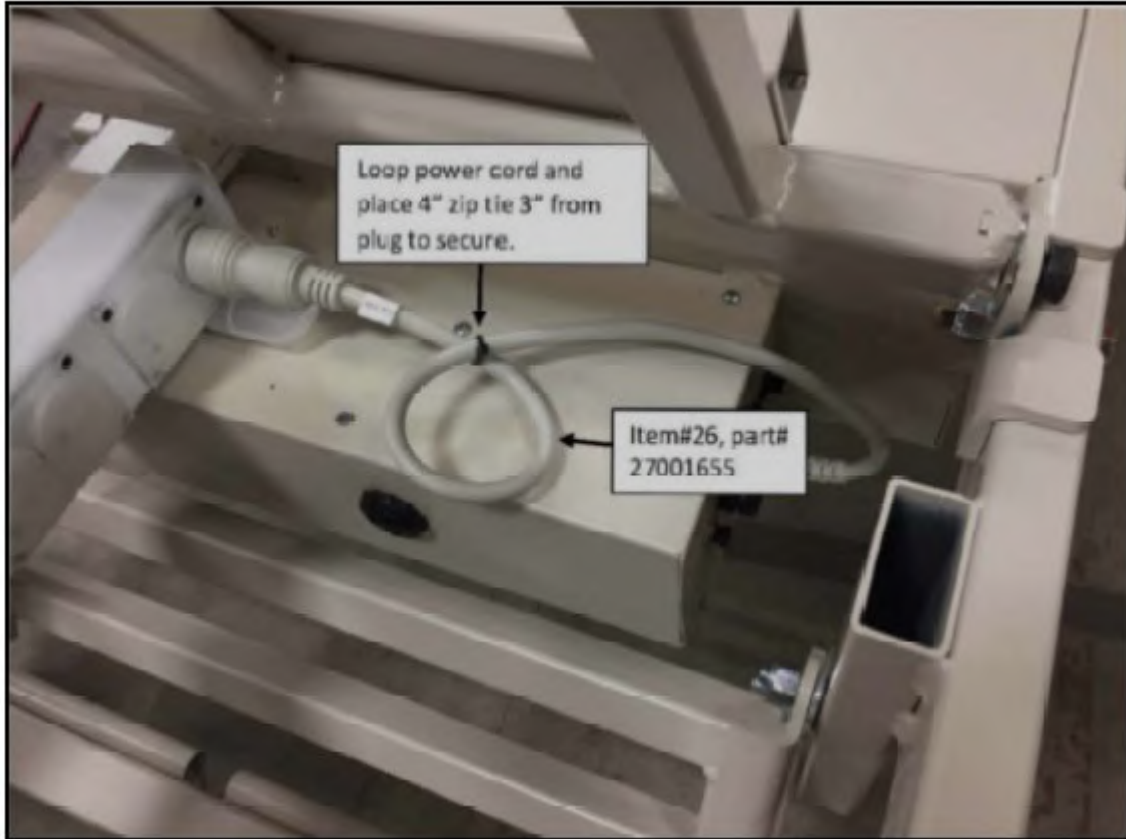


**ELECTRICAL SHOCK HAZARD WARNING:** To Avoid risk of electrical shock, inspect cables of bed and all components to ensure no cuts or fraying is present prior to use.



# Technical Information

## Bed Drive



**ELECTRICAL SHOCK HAZARD WARNING:** Inappropriate handling of the power supply cord, (e.g. by kinking, shearing, other mechanical damages) is hazardous.



**ELECTRICAL SHOCK HAZARD WARNING:** To Avoid risk of electrical shock, inspect cables of bed and all components to ensure no cuts or fraying is present prior to use.

# Technical Information

## BRP3 80" Expandable Deck Assembly

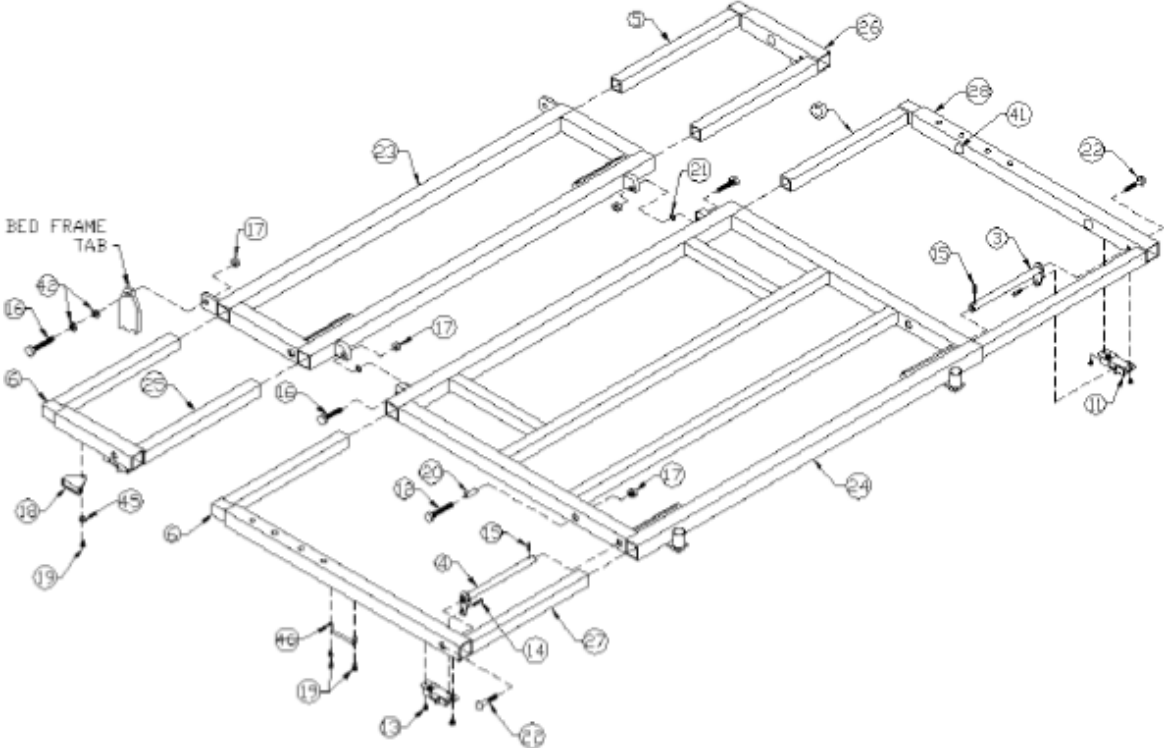
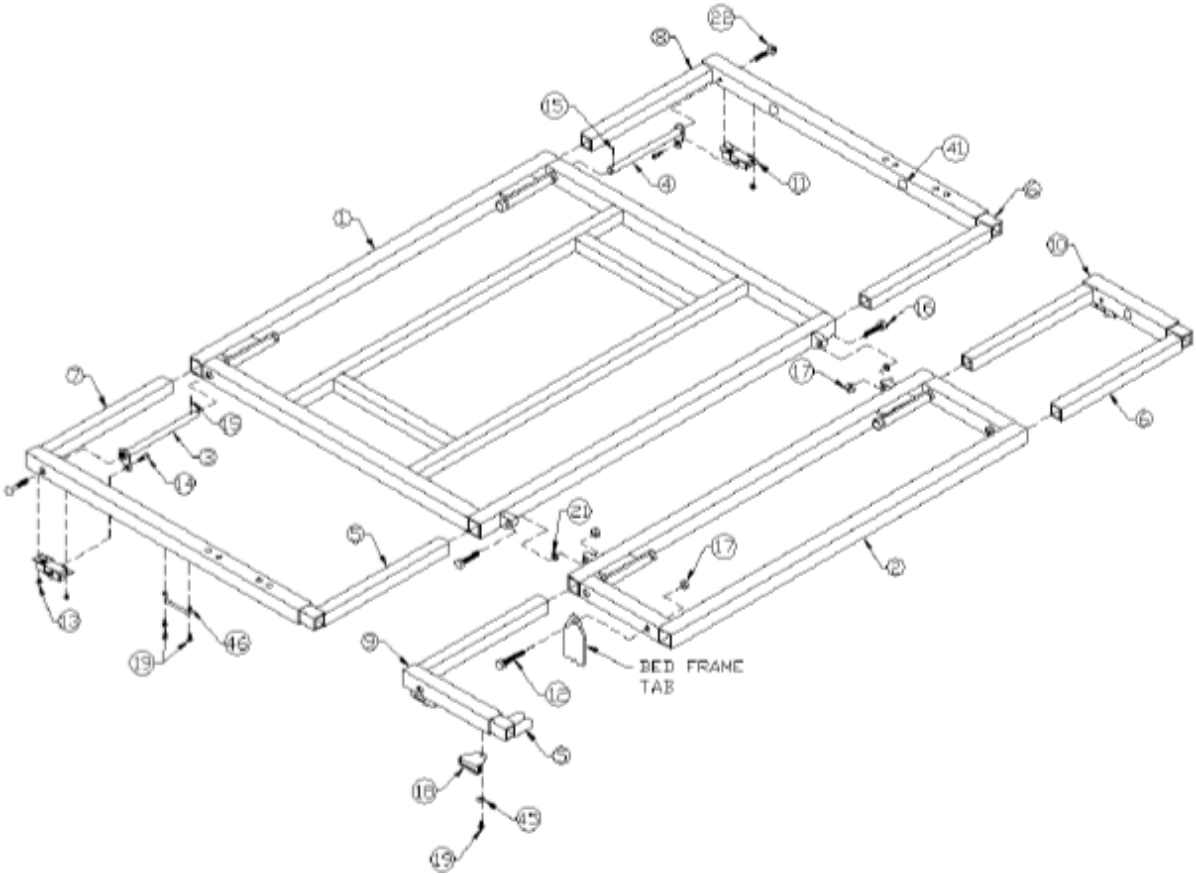
Parts List							
Item	Description	Part #	Qty.	Item	Description	Part #	Qty.
1	Head Deck Frame	28030300	1	26	Left Buttocks Extension	28030445	1
2	Lumbar Deck Frame	28030310	1	27	Right Foot Extension	28030455	1
3	Right Shaft Cam	28030350	4	28	Left Foot Extension	28030465	1
4	Left Shaft Cam	28030360	4	29	Head Deck Cover	28033060	1
5	Extension Insert Right	27006051	4	30	Lumbar Deck Cover	28033070	1
6	Extension Insert Left	27006052	4	31	Head Wing Cover	28033065	2
7	Right Head Extension	28030395	1	32	Lumbar Wing Cover	28033075	2
8	Left Head Extension	28030405	1	33	3/16 Steel Rivet	27000039	38
9	Right Lumbar Extension	28030415	1	34	Buttocks Deck Cover	28033080	1
10	Left Lumbar Extension	28030425	1	35	Foot Deck Cover	28033090	1
11	Lock Button	28050620	8	36	Buttocks Wing Cover	28033085	2
12	HCS 3/8-16 X 2 1/4	27001032	4	37	Foot Wing Cover	28033095	2
13	#8 Self Tap Screw	27001283	16	38	1 1/4" Square Plug	27000237	8
14	1 1/4 SHC Screw	27000632	8	39	1" Square Finish Plug	27000242	8
15	1/8" Dia. Spring Pin	27001282	8	40	Adhesive Felt Pad	27001281	12
16	HCS 3/8 X 1 3/4	27001034	6	41	3/4" Clear Bumper	27000903	12
17	3/8 Nylon Locknut	27001010	10	42	5/16 Flat Cut Washer	27001054	4
18	Chafe Tab	36050000	4	43	Label	L-080	4
19	Self-Drilling PHP	27001179	12	44	Label	L-081	4
20	1/2" X 1 1/2" Bushing	12000255	2	45	1/4" Flat Washer	27001168	4
21	3/8" Nylon Washer	27001261	4	46	Wire Handle	27002588	4
22	MS Phil Pan 1/4 X 3/4	27001001	8				
23	Buttocks Deck Frame	28030320	1				
24	Foot Deck Frame	28030330	1				
25	Right Buttocks Extension	28030435	1				



**WARNING:** Many of the screws and bolts used in the bed are special high-strength fasteners. Contact an authorized Sizewise technician to assist in finding the correct fasteners. If improper fasteners are used, they could result in patient and/or user injury as well as damage to equipment or other property.

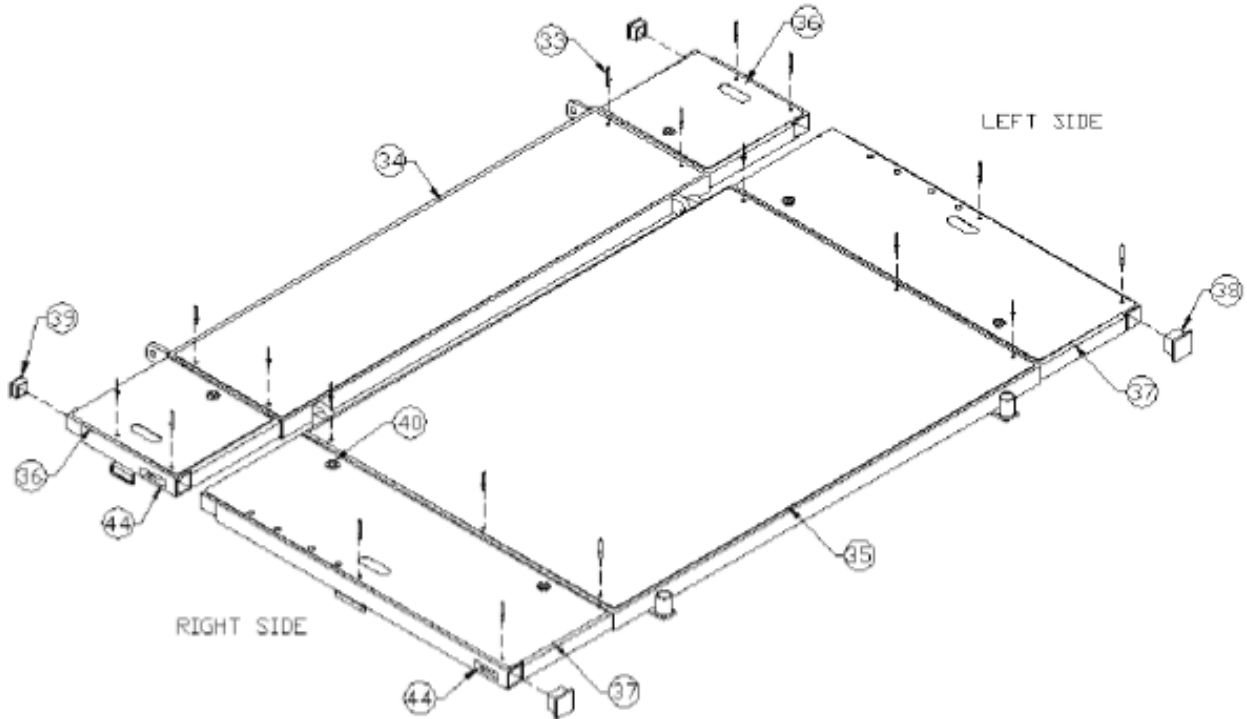
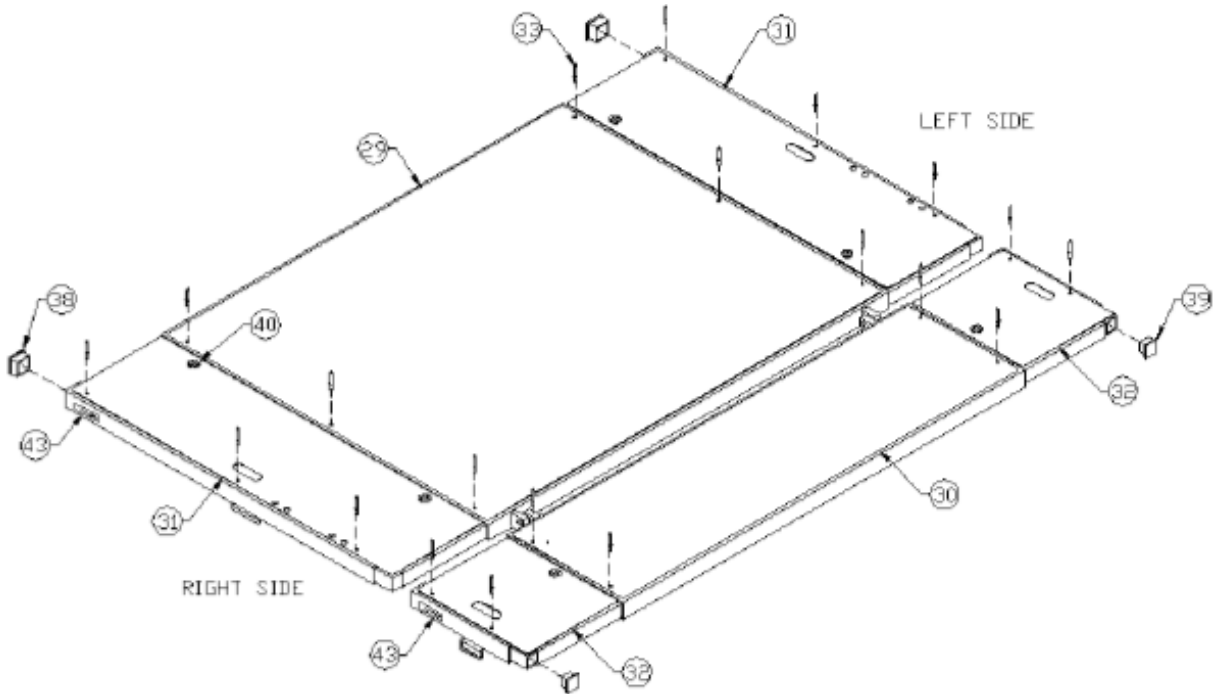
# Technical Information

## BRP3 80" Expandable Deck Assembly



# Technical Information

## BRP3 80" Expandable Deck Assembly





# Technical Information

## BRP3 86" Expandable Deck Assembly

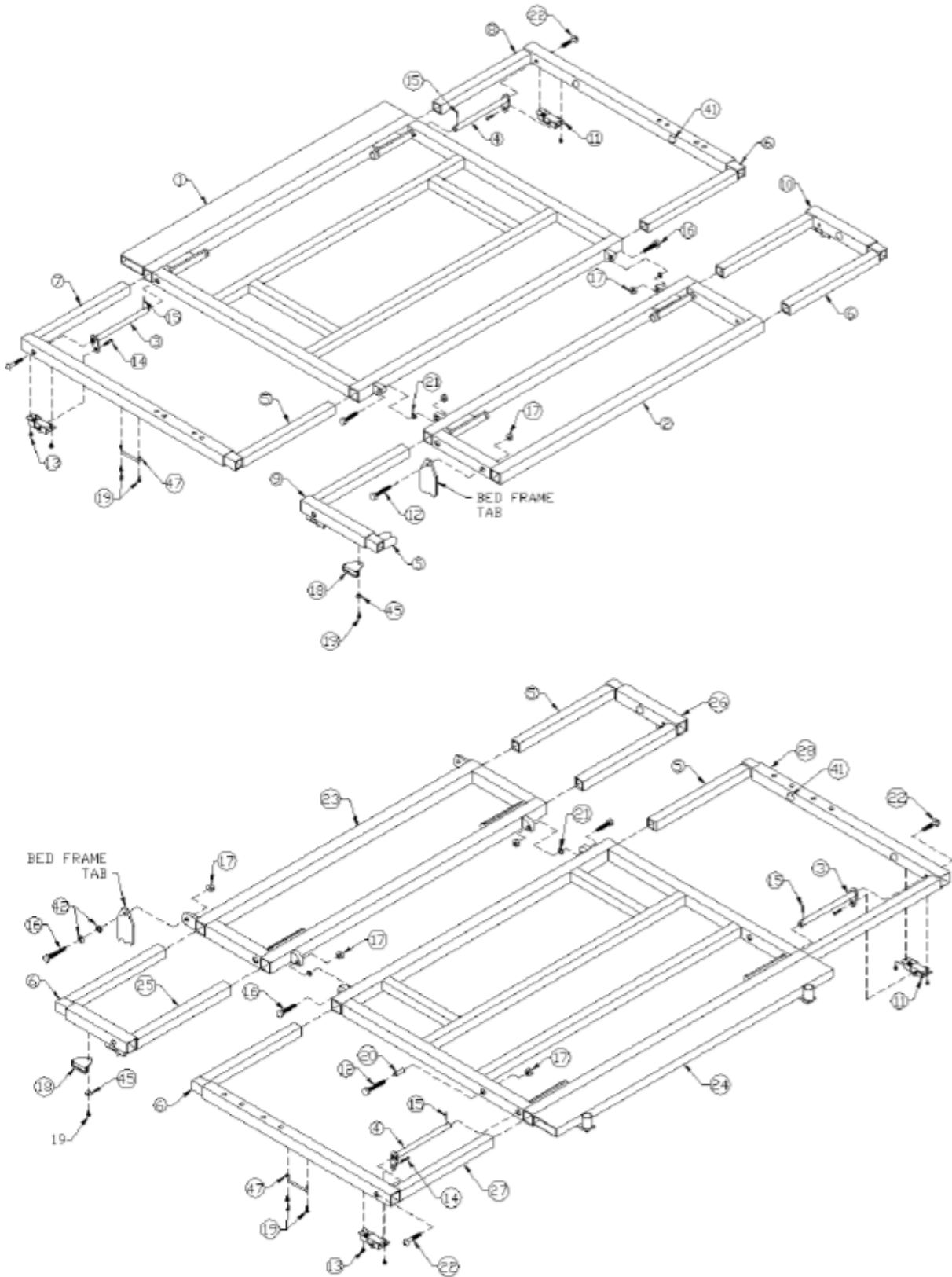
Parts List							
Item	Description	Part #	Qty.	Item	Description	Part #	Qty.
1	Head Deck Frame	28030470	1	26	Left Buttocks Extension	28030445	1
2	Lumbar Deck Frame	28030310	1	27	Right Foot Extension	28030455	1
3	Right Shaft Cam	28030350	4	28	Left Foot Extension	28030465	1
4	Left Shaft Cam	28030360	4	29	Head Deck Cover	28033060	1
5	Extension Insert Right	27006051	4	30	Lumbar Deck Cover	28033070	1
6	Extension Insert Left	27006052	4	31	Head Wing Cover	28033065	2
7	Right Head Extension	28030395	1	32	Lumbar Wing Cover	28033075	2
8	Left Head Extension	28030405	1	33	3/16 Steel Rivet	27000039	38
9	Right Lumbar Extension	28030415	1	34	Buttocks Deck Cover	28033080	1
10	Left Lumbar Extension	28030425	1	35	Foot Deck Cover	28033090	1
11	Lock Button	28050620	8	36	Buttocks Wing Cover	28033085	2
12	HCS 3/8-16 X 2 1/4	27001032	4	37	Foot Wing Cover	28033095	2
13	#8 Self Tap Screw	27001283	16	38	1 1/4" Square Plug	27000237	8
14	1 1/4 SHC Screw	27000632	8	39	1" Square Finish Plug	27000242	8
15	1/8" Dia. Spring Pin	27001282	8	40	Adhesive Felt Pad	27001281	12
16	HCS 3/8 X 1 3/4	27001034	6	41	3/4" Clear Bumper	27000903	12
17	3/8 Nylon Locknut	27001010	10	42	5/16 Flat Cut Washer	27001054	4
18	Chafe Tab	36050000	4	43	Label	L-080	4
19	Self-Drilling PHP	27001179	12	44	Label	L-081	4
20	1/2" X 1 1/2" Bushing	12000255	2	45	1/4" Flat Washer	27001168	4
21	3/8" Nylon Washer	27001261	4	46	1 X 3 Rect. Plug	27000245	4
22	MS Phil Pan 1/4 X 3/4	27001001	8	47	Wire Handle	27002588	4
23	Buttocks Deck Frame	28030320	1				
24	Foot Deck Frame	28030480	1				
25	Right Buttocks Extension	28030435	1				



**WARNING:** Many of the screws and bolts used in the bed are special high-strength fasteners. Contact an authorized Sizewise technician to assist in finding the correct fasteners. If improper fasteners are used, they could result in patient and/or user injury as well as damage to equipment or other property.

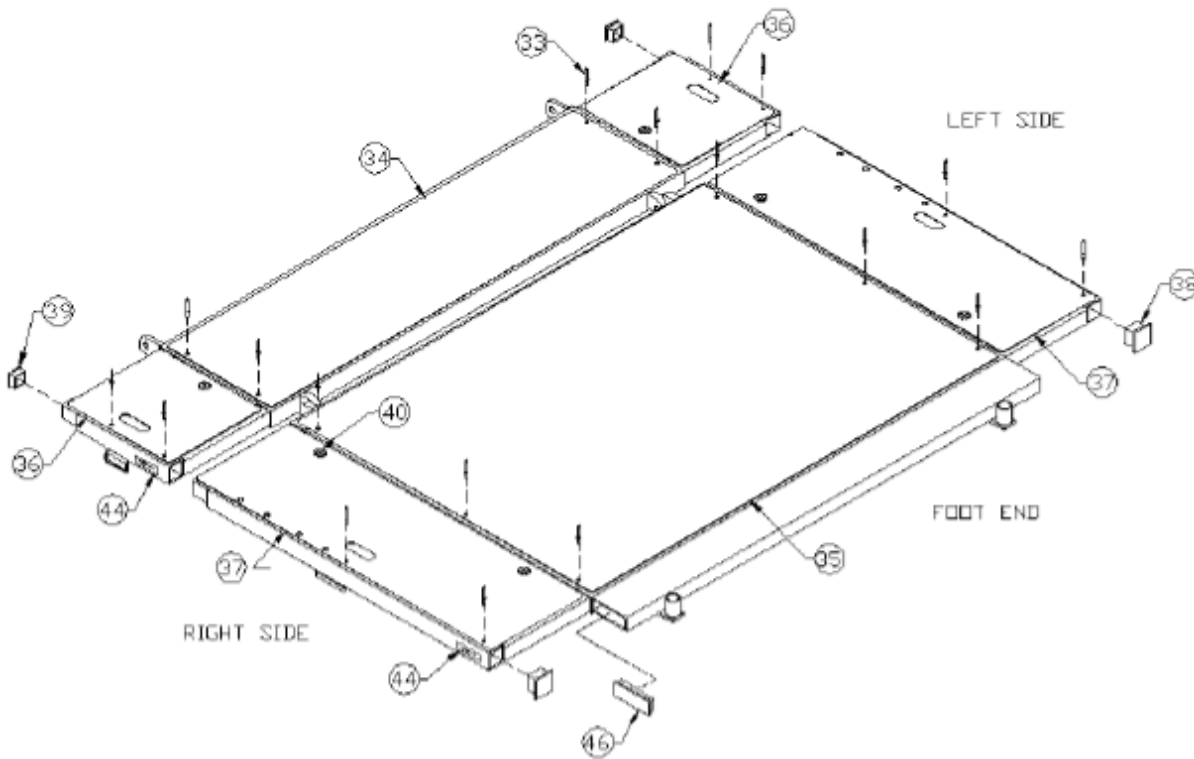
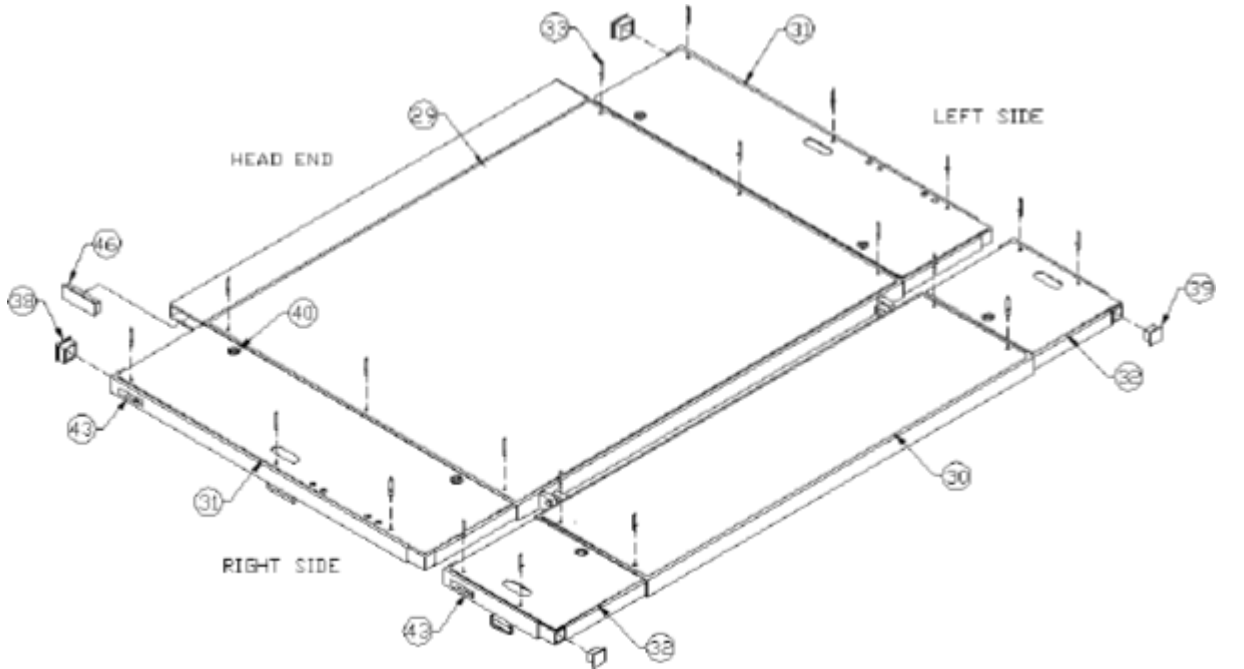
# Technical Information

## BRP3 86" Expandable Deck Assembly



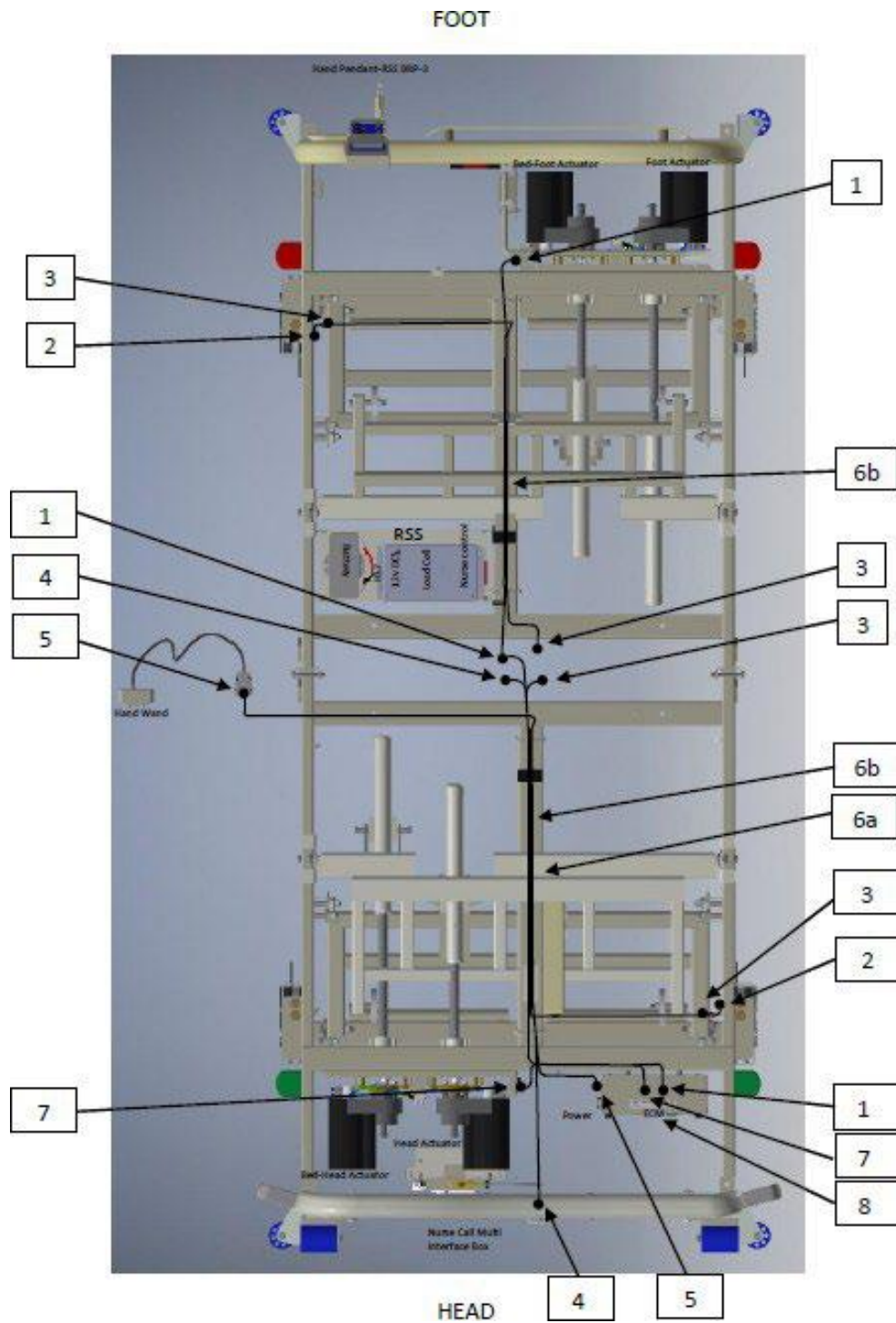
# Technical Information

## BRP3 86" Expandable Deck Assembly



# Technical Information

## Wire Routing



**ELECTRICAL SHOCK HAZARD WARNING:** To avoid risk of electric shock or Injury, only use manufacturer's approved power cord.

# Technical Information

## Wire Routing

### Communication Harnesses (Top View)

- 1.) 45070740-Foot Motor Box Full Electric
- 2.) 45070500-Brake Switch Harness (Bed Drive) Qty. 2
- 3.) 45070510-Brake Switch Jumper Harness (Bed Drive) Qty. 2
- 4.) 45070520-Communication Cable (Bed Drive)
- 5.) 45070750-8 Function SW hand wand W /CPR Function
- 6a.) 27000217-1/2" Split Loom 60" Long\*(Head)  
\*CABLES INSIDE LOOM INCLUDE, HL-7 Cable, Rest Secure Power Cable, Communication Cable (Bed Drive), Nurse Call Cable
- 6b.) 27000217-1/2" Split Loom 64" Long\*\* (HEAD & FOOT)  
\*\*CABLES INSIDE LOOM INCLUDE, Load Cell Cable's (X2), Brake Switch Jumper Harness (Bed Drive)
- 7.) 45070730-Head Motor Box Full Electric
- 8.) 12070725-ECM, 60601 APV, Full Elect w/12V Supply (BOX)



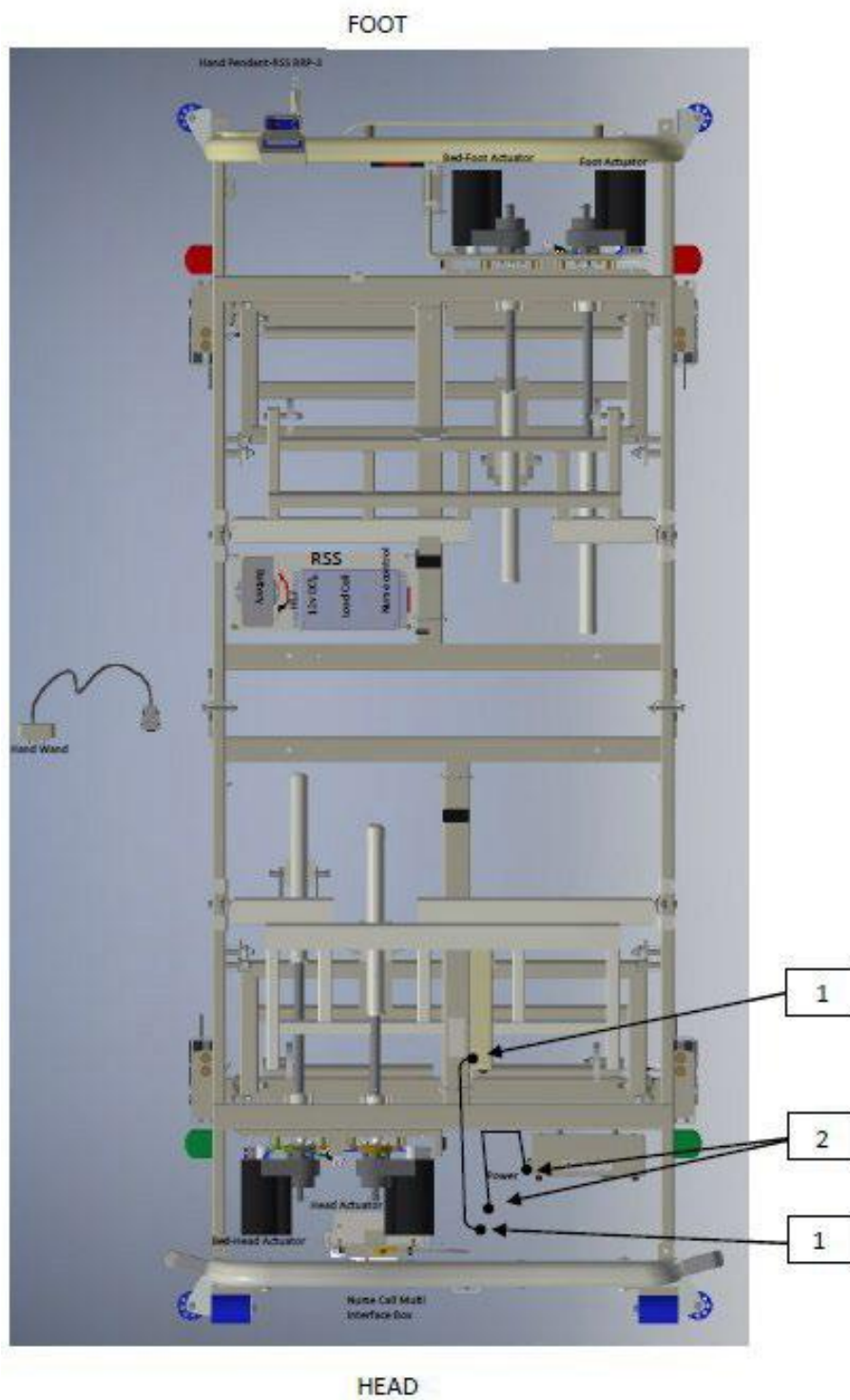
ELECTRICAL SHOCK HAZARD WARNING: To avoid risk of electric shock or Injury, only use manufacturer's approved power cord.



ELECTRICAL SHOCK HAZARD WARNING: To Avoid risk of electrical shock, inspect cables of bed and all components to ensure no cuts or fraying is present prior to use.

# Technical Information

## Wire Routing



**ELECTRICAL SHOCK HAZARD WARNING:** To Avoid risk of electrical shock, inspect cables of bed and all components to ensure no cuts or fraying is present prior to use.

# Technical Information

## Wire Routing

### Power Harnesses (Top View)

- 1.) 27001668-4 Place HG Power Strip 60601
- 2.) 27000445-16' Power Cord W/90 Degree Plug



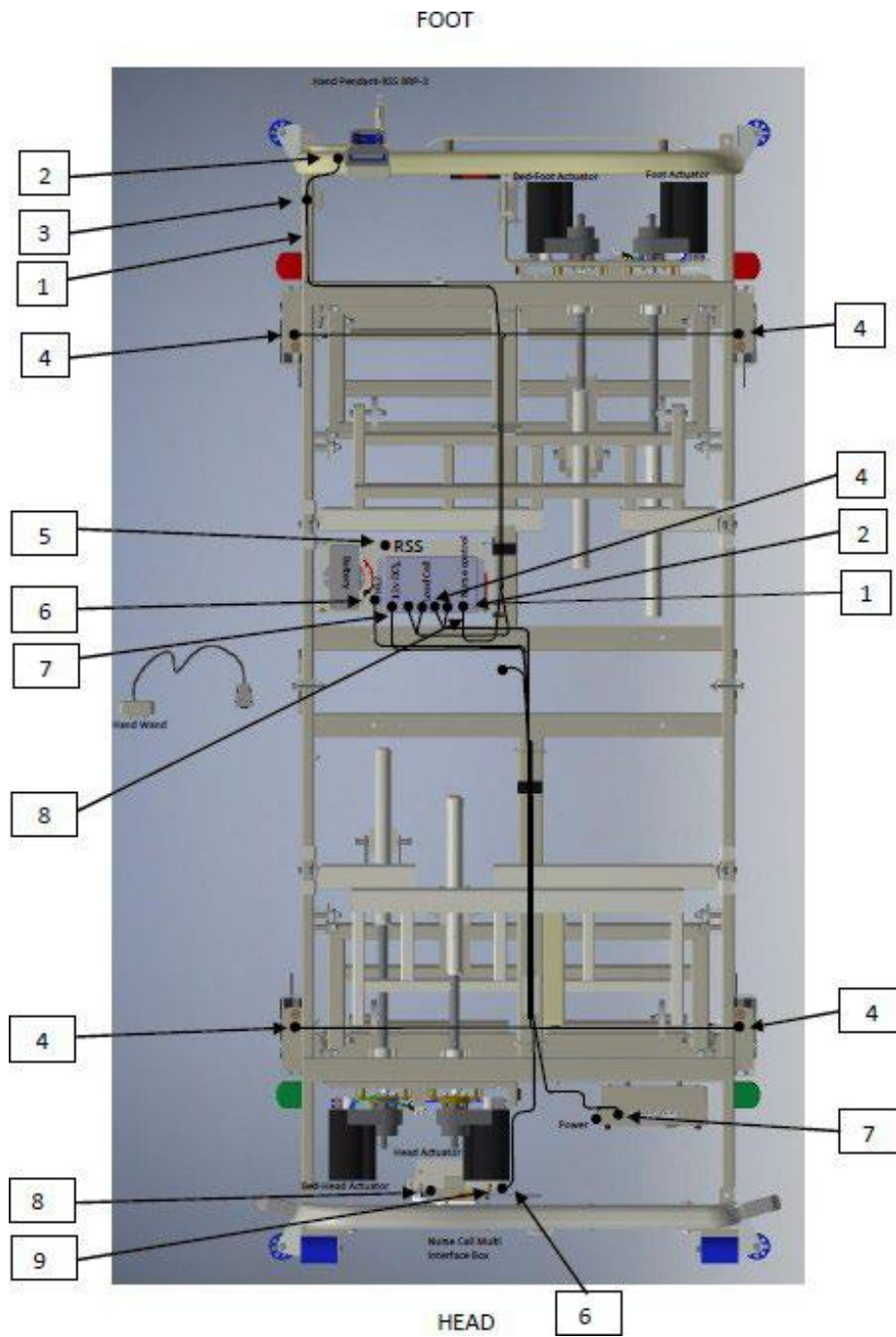
ELECTRICAL SHOCK HAZARD WARNING: To avoid risk of electric shock or Injury, only use manufacturer's approved power cord.



ELECTRICAL SHOCK HAZARD WARNING: To Avoid risk of electrical shock, inspect cables of bed and all components to ensure no cuts or fraying is present prior to use.

# Technical Information

## Wire Routing



**ELECTRICAL SHOCK HAZARD WARNING:** To avoid risk of electric shock or Injury, only use manufacturer's approved power cord.



# Technical Information

## Wire Routing

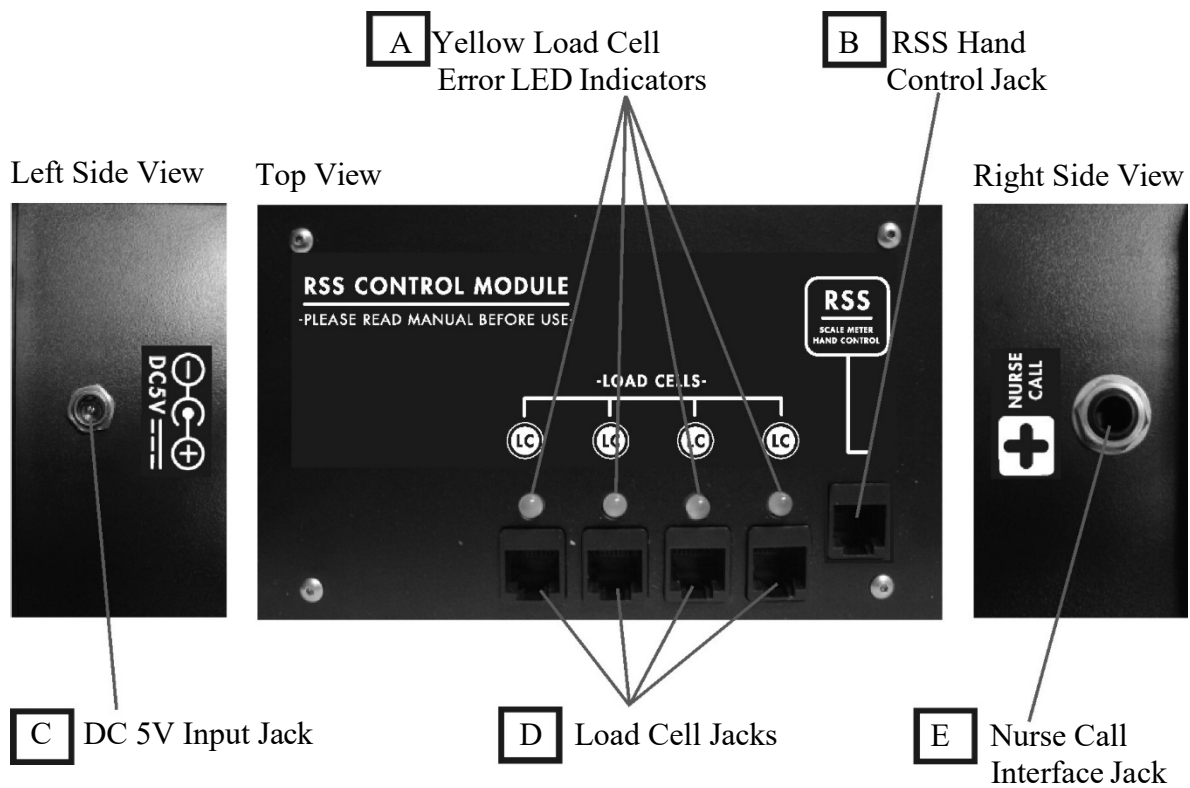
### Rest Secure System (Top View)

- 1.) 27002055-RSS 3FT 6 Wire Coil Cord
  - \*\*2.) 42070250-Hand Pendant-RSS BRP-3(In Bag loose On Bed with Footboard)
  - \*\*3.) 27000551-Inline Phone Connector
  - \*\*4.) 29050030-Flintec Load Cell 5.) 45070070-RSS Box Assembly
  - \*\*6.) 42070225-HL-7 Cable
  - 7.) 42070097-Rest Secure Power Cable
  - \*\*8.) 42070260-Nurse Call Multi Interface Box
  - \*\*9.) 45070760-HL-7 Box (Optional)
- \*\* Part of Rest Secure System-BRP-3 42050250



ELECTRICAL SHOCK HAZARD WARNING: To Avoid risk of electrical shock, inspect cables of bed and all components to ensure no cuts or fraying is present prior to use.

# SW Rest Secure System™ Control Box Descriptions



- A. **Yellow Load Cell LED Error Indicators:** If a load cell is disconnected or damaged the LED will blink. A severed load cell cable will cause an error light.
- B. **RSS Hand Control Jack:** This jack is used for the hand control unit.
- C. **DC 5V Input Jack:** Primary power input jack for the RSS. Use only 5 V DC to prevent damage to the RSS.
- D. **Load Cell Jacks:** The four load cells from the bed will connect to these jacks. There is no specific order to connect the load cells.
- E. **Nurse Call Interface Jack:** This jack is used to interface with a hospital or long term care facility's nurse call system.

## SW Rest Secure System™ Parts



RSS Control Box  
Part Number 42070100



5V DC Cable  
Part Number 42070097



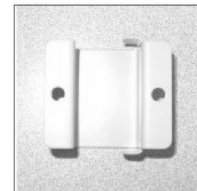
Nurse Call Jack  
Part Number 42070096



RSS Hand Control w/ Cable  
Part Number 42070000  
(Bari Rehab Platform 2™)  
Part Number 42070010  
(Evolution™)



Cable from RSS Control  
Box to Inline Connector  
Part Number 27002055



Inline Jack Bracket  
Part Number 27002433



Self-tapping Screws #8x 1/2"  
Part Number 27001179



Inline Jack  
Part Number 27000551



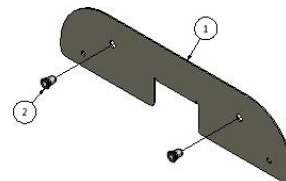
Nurse Call Multi-  
Interface Box  
Part Number 42070050



5V Power Supply  
Part Number 42070095

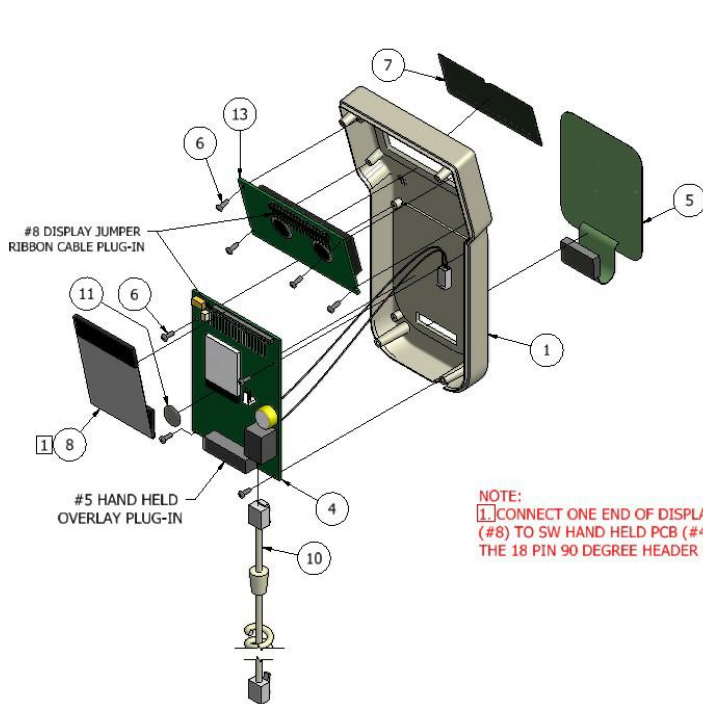


Power Cord 3' 110V M/F  
Part Number 27002081



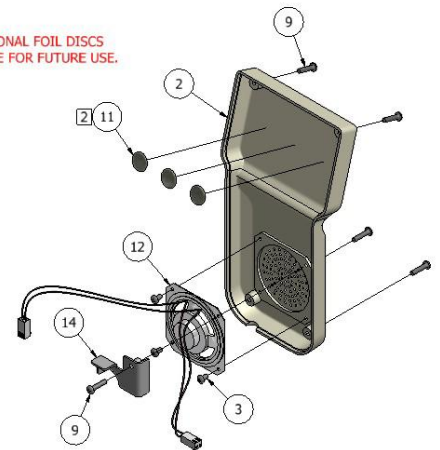
Nurse Call Back Plate w/  
PEM Nuts 42050010 (Bari  
Rehab Platform 2™)

## SW Rest Secure System™ Hand Control Assembly



NOTE:  
 1. CONNECT ONE END OF DISPLAY JUMPER RIBBON CABLE (#8) TO SW HAND HELD PCB (#4), AND THE OTHER END TO THE 18 PIN 90 DEGREE HEADER CONNECTOR DISPLAY (#13).

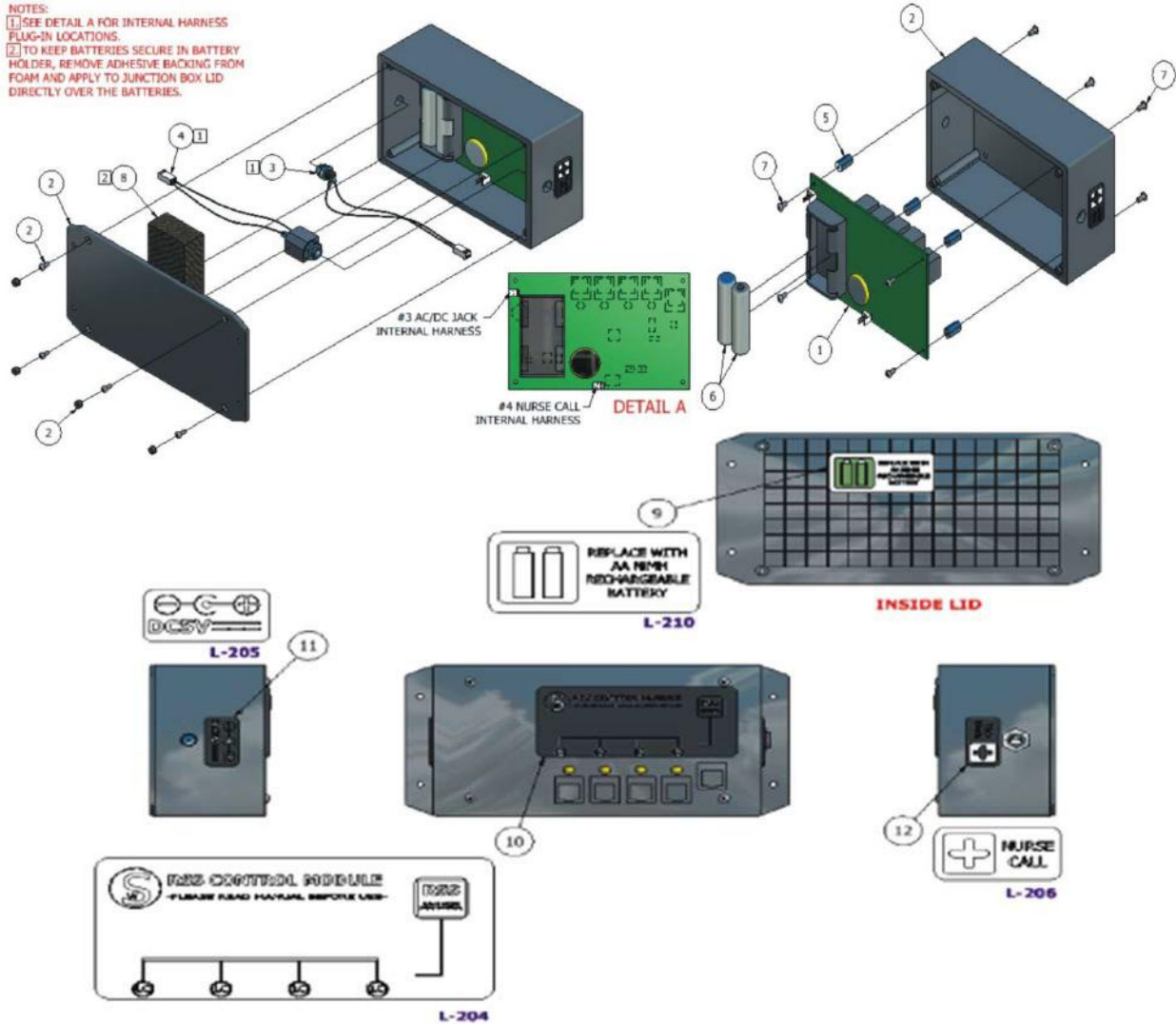
NOTES:  
 2. TAPE 3 ADDITIONAL FOIL DISCS INSIDE BACK CASE FOR FUTURE USE.



## SW Rest Secure System™ Hand Control Parts Listing

	PART NUMBER	DESCRIPTION
1.	1 each .....27001981. ....	Scale Meter Front Case
2.	1 each .....27001982. ....	Scale Meter Back Case
3.	3 each .....27002057. ....	4/40 X 3/16" Speaker Mount Screw
4.	1 each .....27002051. ....	SW Hand Held PCB
5.	1 each .....27002053. ....	SW Hand Held Overlay
6.	8 each .....27002060. ....	#2 X 1/4" PCB Mount Screw
7.	1 each .....27002072. ....	SW Hand Held Display Overlay
8.	1 each .....27002073. ....	Display Jumper Ribbon Cable
9.	5 each .....27002059. ....	#4 X 1/2" Case Screw
10.	1 each .....27002054. ....	1' 6" Conductor Coil Cord (used on the Bari-Rehab Platform 2 Bed) or
10.	1 each .....27002055. ....	3' 6" Conductor Coil Cord (used on Evolution Bed)
11.	4 each .....27000537. ....	Adhesive Foil Disc 1/2" Dia.
12.	1 each .....43070101. ....	Speaker Assembly
13.	1 each .....42070015. ....	RSS Hand Pendant Display
14.	1 each .....27001976. ....	SD Card Retainer

## SW Rest Secure System™ Control Box Assembly



## SW Rest Secure System™ Control Box Parts Listing

	PART NUMBER	DESCRIPTION
1.	1 each .....27002050.	Control (Junction) Box PC Board
2.	1 each .....27002031.	Milled Control (Junction) Box w/ Lid & Screws
3.	1 each .....42070099.	AC/DC Jack Internal Harness
4.	1 each .....42070098.	Nurse Call Internal Harness
5.	4 each .....27002058.	4-40 X 1/2" PCB Standoff
6.	2 each .....27002063.	AA NiMH Rechargeable Battery
7.	8 each .....27002075.	4-40 X 1/4" Phil Std Screw
8.	1 each .....27002086.	Battery Foam

- 9. 1 each .....L-210 .....Battery Replacement Label
- 10. 1 each .....L-204 .....RSS Control Module Label
- 11. 1 each .....L-205 .....DC5V Label
- 12. 1 each .....L-206 .....Nurse Call Label

## SW Rest Secure System™ Installation

### RSS Control Module on the Bari Rehab Platform 2 Installation



**WARNING:** Before installing the RSS Control Module, be sure to disconnect it from the power source. Failure to do so could result in electrical shock and could result in damage to equipment.



**WARNING:** Always use the proper personal protective equipment to avoid injury to the patient and/or care provider.

Items needed to complete steps 1-4:



RSS Control Box  
Part Number 42070100



Self-Tapping Screws  
#8 x 1/2"  
Part Number 27001179



Tape Measure



Cordless Drill w/  
Phillips Head Bit

1. Raise all bed functions to the highest position (such as, Bed Up, Head Up and Foot Up).
2. Locate the black box that has the 4 load cell cables and hand control cable in the patient left foot main frame area. Disconnect all the cables. Remove the black box with the cordless drill.
3. Replace the black box with the new RSS control box. Utilize the existing right hole on the frame from the old black box. The existing left hole in the frame will not be used due to the size of the RSS control box. You will use the top two mounting holes on the control box to mount the box to the frame of the bed. Secure with the 2 - #8 x 1/2" self-tapping screws (27001179). The top of the RSS Control Box should be flush with the frame.



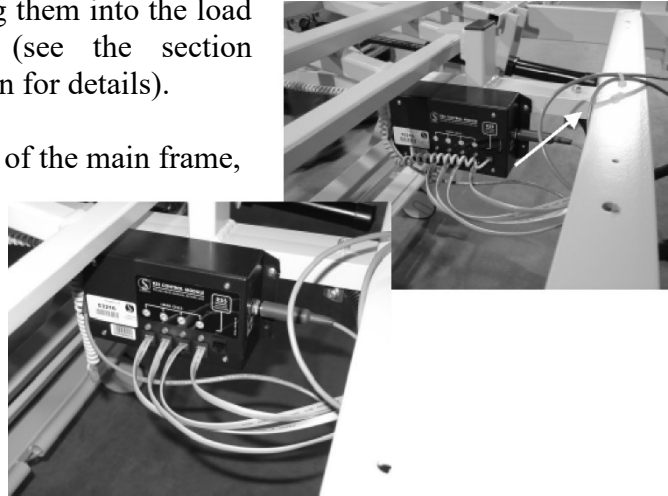
**NOTE:** To ensure correct placement, measure 5” from the cross member closest to the center of the bed and 3/4” down from the top edge of the frame.



**WARNING:** Using the existing right hole on the frame from the old black box is critical to prevent damage to the control box from moving parts of the bed and have access to the bracket on the center channel.

4. Locate the 4 load cell cables and plug them into the load cell jacks on the control box (see the section Specifications Control Module Section for details).

The cables should be run over the top of the main frame, as shown in the picture.



Items needed to complete steps 5-6 (Installing the 5V Power Supply):



5V DC Cable  
Part Number 42070097



8” Zip Ties

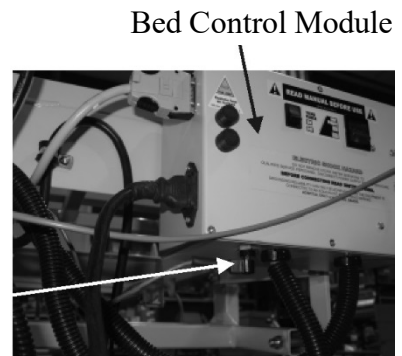


Side Cutters

5. Plug in the 5V DC Cable (42070097) to the ECM of the bed. The outlet is located on the bottom (as shown in the picture).
6. Route the cable to the RSS Control Box by securing with zip ties along the center channel then running the cable over the center of the main frame (similar to the load cell cables). See the Introduction Section on the Descriptions of the Control Box for the 5V

input jack location. Cut off the excess ties using the side cutters.

5V  
Output  
Jack



Items needed to complete steps 7-8 (Installing the Nurse Call Jack):



Nurse Call Jack  
Part Number  
42070096



Self-Tapping Screws  
#8 x 1/2"  
Part Number 27001179



8" Zip Ties



Side Cutters

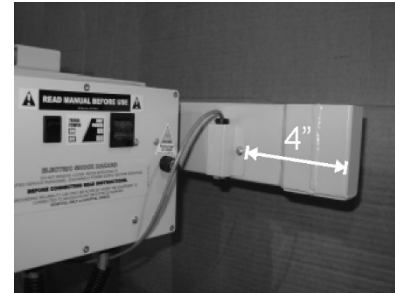


Tape Measure



Cordless Drill w/  
Phillips Head Bit

7. Install the Nurse Call Jack (42070096) to the main frame on the head end of the bed using the cordless drill and 2 - #8 x 1/2" self-tapping screw (27001179). The right hole should be 4" from the end of the bed and the bottom of the Jack should be flush with the bottom of the frame.
8. Route the cable down the center of the bed frame to the RSS Control Box. Secure the cable to the center of the frame using 8" zip ties and cut off the excess tie using the side cutters. See the section Specifications Control Module Section.





Items needed to complete steps 9-14 (Installing the Hand Control Inline Jack):



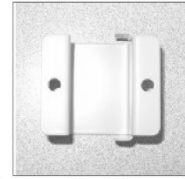
Self-Tapping Screws  
#8 x 1/2"  
Part Number 27001179



Inline Jack  
Part Number  
27000551



Cable from RSS  
Control Box to  
Inline Connector  
Part Number 27002055



Inline Jack Bracket  
Part Number  
27002433



Cordless Drill w/  
Phillips Head Bit



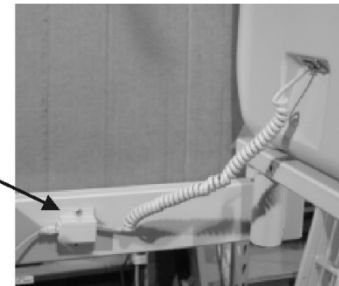
8" Zip Ties



Side Cutters

- Place the inline jack (27000551) into the inline jack bracket (27002433) and secure it to the bed main frame on the patient left foot using the cordless drill and 2 - #8 x 1/2" self-tapping screw (27001179). **Some beds may have this inline jack already installed, but it MUST BE replaced with the one provided.**

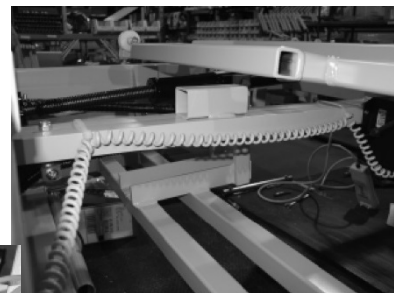
Inline  
Jack  
And  
Bracket



- Plug in appropriate cable to inline jack.

- Route the Coiled Cable (27002055) down the center of the bed from the RSS Control Box to the back side of the inline jack. Secure the Coiled Cable to the center of the frame using 8" Zip Ties and cutting off the excess tie using the side cutters.

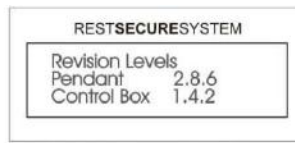
Coiled Cable from  
RSS Control Box  
to Inline Connector



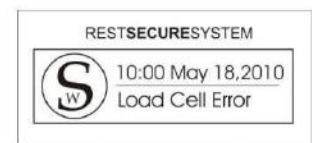
12. Plug the bed power cord into a hospital grade AC receptacle. Allow a minimum of 15 minutes for the batteries to charge before plugging in the RSS Hand Control to the front of the inline jack. **The unit will not operate correctly if ample charge time was not provided.**
13. Plug the RSS Hand Control into the inline jack on the foot end of the bed.
14. The hand control will boot up showing the revision screen for a period of 10 seconds and return to the Home Screen. This indicates that the unit has successfully passed the boot up self-test. **If the unit did not pass the boot up self-test, or display shows an error, see the section Troubleshooting**



Loading Screen



Revision Level Screen



Load Cell Error Screen



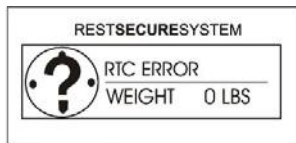
SD Card Error Screen



SD Card Error Screen



Home Screen



Real Time Clock Error Screen



Control Box Error Screen

**NOTE:** Check the time and date for accuracy. See the section Set-Up Instructions Setting the Time/Date if changes to the time or date are required.

## RSS Control Module on the SW Evolution™ Installation



**WARNING:** Before installing the RSS Control Module, be sure to disconnect it from the power source. Failure to do so could result in electrical shock and could result in damage to equipment.



**WARNING:** Always use the proper personal protective equipment to avoid injury to the patient and/or care provider.

Items needed to complete steps 1-6:



RSS Control Box  
Part Number 42070100



Self-Tapping Screws  
#8 x 1/2"  
Part Number 27001179



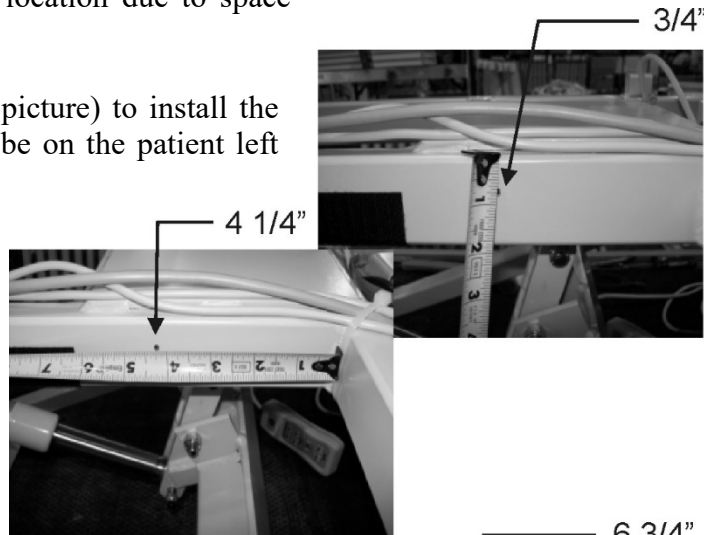
Tape Measure



Cordless Drill w/  
Phillips Head Bit

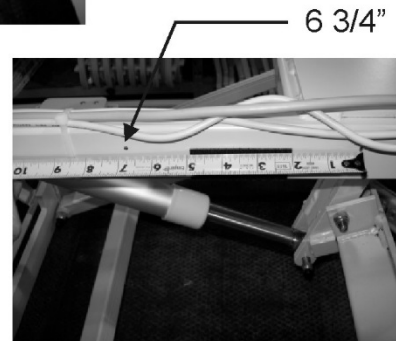
1. Raise all bed functions to the highest position (such as, Bed Up, Head Up and Foot Up).
2. Remove existing black box that connects the load cells (if equipped). DO NOT replace with new black box in the same location due to space restrictions.

3. Locate the area (as shown in the picture) to install the RSS Control Box. This area will be on the patient left foot main frame. Using a tape measure, make a mark at 4 1/4" from the cross member closest to the center of the bed and 3/4" down from the top edge of the frame.



**WARNING:** These dimensions are critical to prevent damage to the control box from moving parts of the bed.

4. The next mark you will make is at 6 3/4" from the center of the mark you made in the previous step. Make sure to mark down 3/4" from the top edge in order to keep the control box level.



5. Using the cordless drill, secure the control box to the frame of the bed with 2 - #8 x 1/2" self-tapping screws (27001179). You will use the top two mounting holes on the control box to mount the box to the frame of the bed. The control box should be flush with the top of the frame.



6. Locate the 4 load cell cables and plug them into the load cell jacks on the control box (see the section Specifications Control Module on page 7 for jack locations).



Items needed to complete steps 7-9 (Installing the 5V Power Supply):



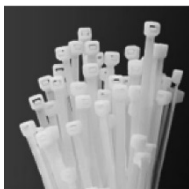
5V Power Supply  
Part Number 42070095



5V DC Cable  
Part Number 42070097



Power Cord  
3' 110V M/F  
Part Number 27002081



8" Zip Ties



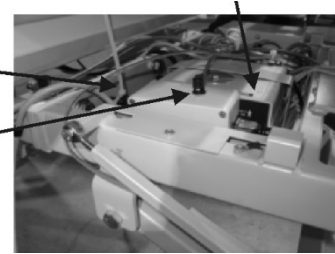
Side Cutters

7. Install the 5V power supply next to the back side of the beds electronic control module (located at the center joint of the bed).

Bed Control Module

Zip Tie

5V Output Jack



8. Insert the 3' 110V Power Cable (27002081) to the power supply (42070095) and route it to the bed control module. Then secure with a zip tie, this will prevent the power supply from coming loose during transporting. Make sure the male prongs in the receptacle are facing the head end of the bed and the 5V output jack is facing up.

5V Output to RSS Control Module

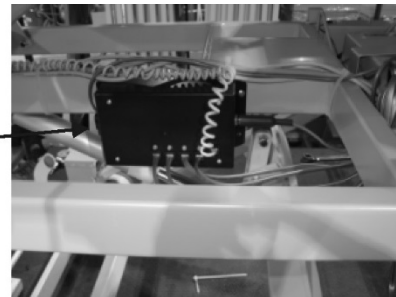


120/240V Output to Bed Control Module

120/240V Bed Control Module Input

9. Plug the 5V DC Cable (42070097) into the Power Supply (42070095). Then route to the RSS Control Box. Plug into the appropriate outlet, as shown on the picture.

5V Output Jack



Items needed to complete steps 10-11 (Installing the Nurse Call Jack):



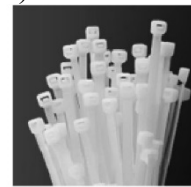
Nurse Call Jack  
Part Number  
42070096



Cordless Drill w/  
Phillips Head Bit



Self-Tapping Screws  
#8 x 1/2"  
Part Number 27001179



8" Zip Ties

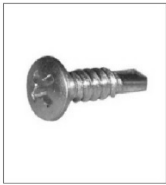


Side Cutters

10. Install the Nurse Call Jack (42070096) to the main frame on the head end of the bed using the cordless drill and 2 - #8 x 1/2" self-tapping screw (27001179).
11. Route the cable down the center of the bed frame to the RSS Control Box. Secure the cable to the center of the frame using 8" zip ties and cut off the excess tie using the side cutters. See the section Specifications Control Module for connection locations.



Items needed to complete steps 12-16 (Installing the Hand Control Inline jack):



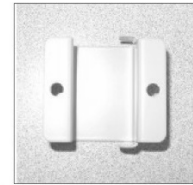
Self-Tapping Screws  
#8 x 1/2"  
Part Number 27001179



Inline Jack  
Part Number  
27000551



Cable from RSS  
Control Box to  
Inline Connector  
Part Number 27002055



Inline Jack Bracket  
Part Number  
27002433



Cordless Drill w/  
Phillips Head Bit



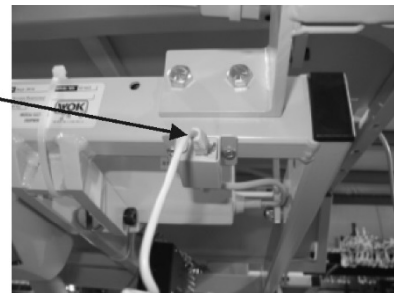
8" Zip Ties



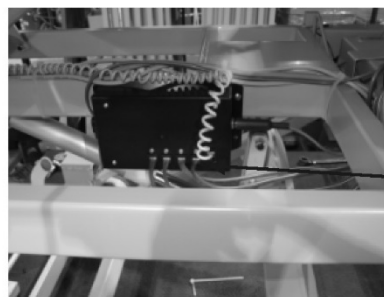
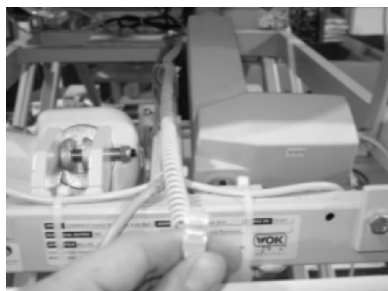
Side Cutters

- Place the inline jack (27000551) into the inline jack bracket (27002433) and secure it to the bed main frame on the patient left foot using the cordless drill and 2 - #8 x 1/2" self-tapping screw (27001179). **Some beds may have this inline jack already installed, but it MUST BE replaced with the one provided.**

Inline Jack



- Route the Coiled Cable (27002055) down the center of the bed from the RSS Control Box to the back side of the inline jack. Secure the Coiled Cable to the center of the frame using 8" Zip Ties and cut off the excess tie using the side cutters.

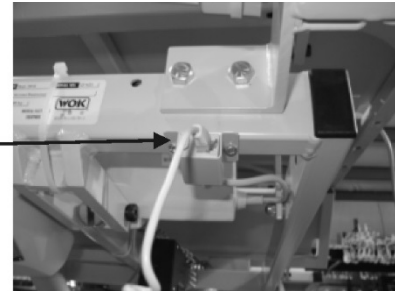


Coiled Cable  
from RSS  
Control Box to  
Inline  
Connector

14. Plug the bed power cord into a hospital grade AC receptacle. Allow a minimum of 15 minutes for the batteries to charge before plugging in the RSS Hand Control to the front of the inline jack. **The unit will not operate correctly if ample charge time was not provided.**

15. Plug the RSS Hand Control into the inline jack on the foot end of the bed.

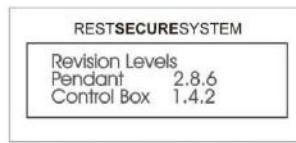
RSS Jack



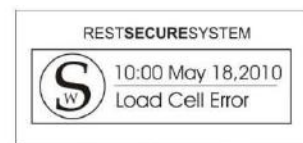
16. The hand control will boot up showing the revision screen for a period of 10 seconds and return to the Home Screen. This indicates that the unit has successfully passed the boot up self-test. **If the unit did not pass the boot up self-test, or display shows an error, see the section Troubleshooting.**



Loading Screen



Revision Level Screen



Load Cell Error Screen



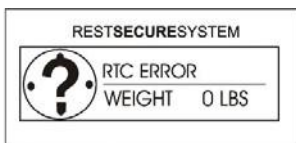
SD Card Error Screen



SD Card Error Screen



Home Screen



Real Time Clock Error Screen



Control Box Error Screen

Check the time and date for accuracy. **See the section Set-Up Instructions Setting the Time/Date on if changes to the time or date is required.**



# SW Rest Secure System™ Updating Firmware

The Sizewise Rest Secure System has the capability to perform firmware updates using a PC with and a standard SD card reader/writer. Firmware updates are on an “as needed basis” and occur very infrequently. The firmware updates will be sent to you via email, disk or SD card.

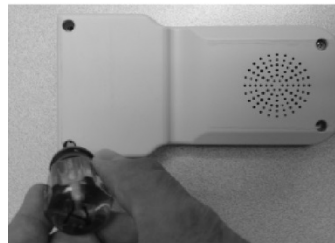


**CAUTION: DO NOT** enter the Update Firmware menu unless instructed by Sizewise. Doing so may cause the unit to stop responding and will require factory reprogramming.

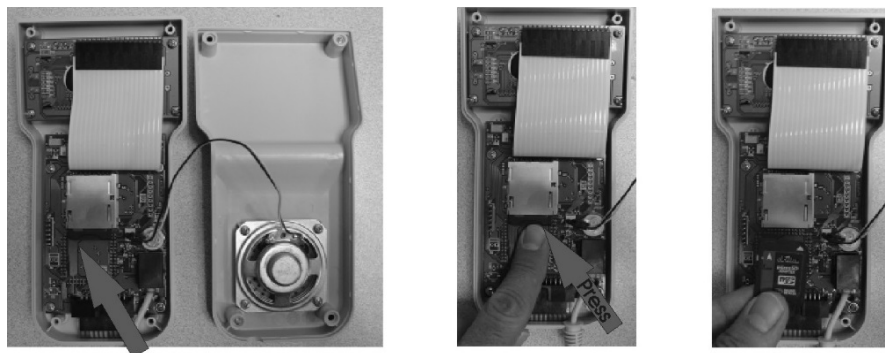
1. Press ENTER to power up the unit. With the unit powered up, press the “back” button twice. This will show you what version of firmware the RSS is operating on. It is important to write this down for future reference.



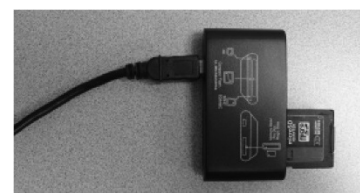
2. Disconnect the hand control from the jack located at the foot end of the bed. Locate the four (4) screws that secure the hand control back case. Using a #1 Phillips head screwdriver, remove the screws and set off to the side.



3. Locate the removable SD memory card and gently press the back side of the card. The SD card holder is spring loaded and the card will be ejected.

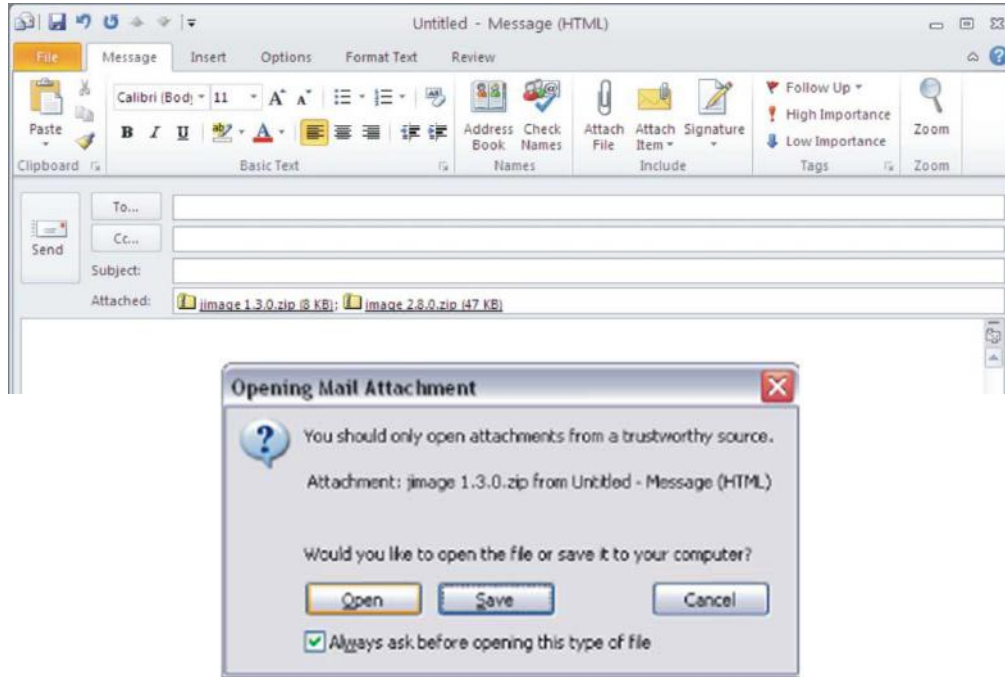


4. Insert the SD card from the hand control into a memory card reader/writer. A USB style card reader shown below.



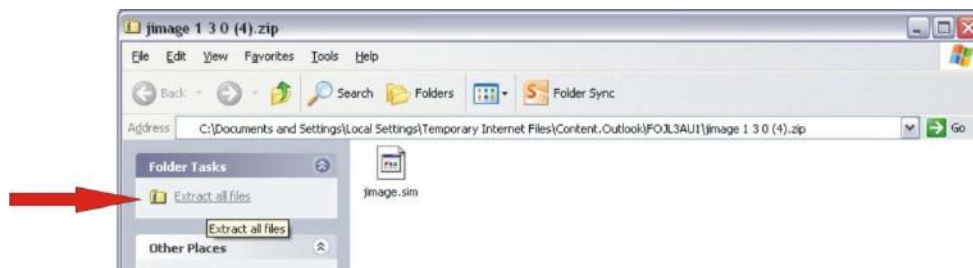
5. With a computer running Windows 2000/XP/Vista/7, locate the “image.zip” file. Typically this file will be emailed to you. Open this file by double-clicking the icon.

**NOTE:** Revision levels shown throughout this manual are for illustrative purposes only, please contact Sizewise for correct revision levels.



**NOTE:** The same steps will apply to transfer the file from an Apple Computer to the SD Memory card.

6. Select “Extract all files”.



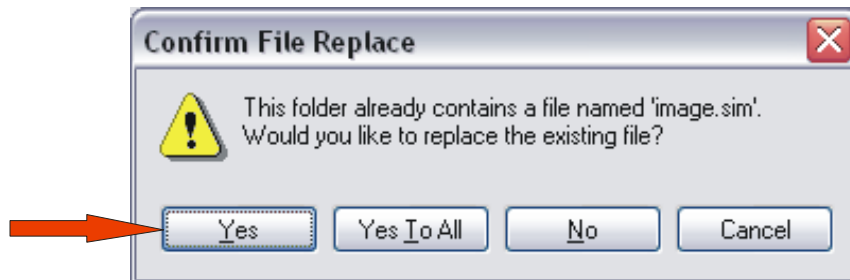
7. Select “Next” and “Browse” until you locate your SD card drive. Highlight the SD drive and click “OK”.



8. Select “Next” and then “Finish”. The screen with the file name “jimage.sim” will be displayed to indicate the file extraction was successful.



9. Repeat steps 5 thru 8 extracting the second file from the email. The second file will be named “image.sim.” Please be sure to choose “Yes” to replace the existing file already on the SD card. The old firmware will not be updated if you select “No” or “Cancel”.

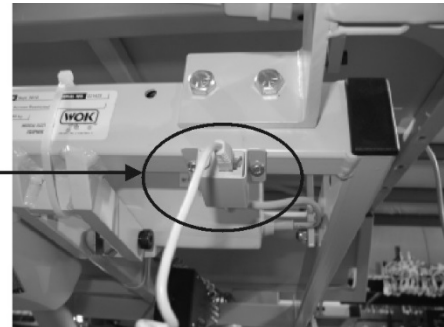


- Replace the SD card into the holder and apply a foil security sticker on the SD card and holder. This sticker will keep the SD card firmly in place.

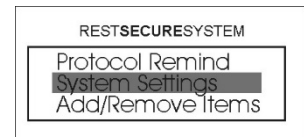


- Reassemble the unit and plug hand held into bed

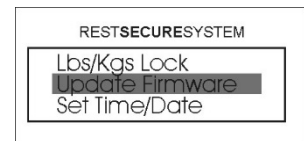
RSS Jack



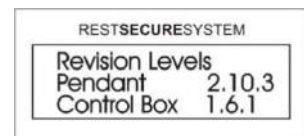
- Access the Menu by pressing the UP or DOWN arrow until System Settings is highlighted and then press ENTER.



- Highlight Update Firmware and then press ENTER.



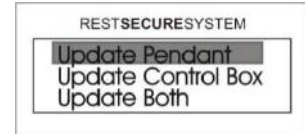
- The screen will now display the revision levels of the pendant and the control box for approximately 5 seconds before prompting for the password.



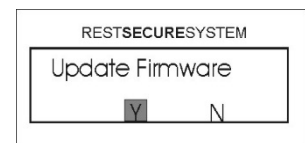
15. Enter the password using the key pad. The password for this operation is “up, down, up, down, Enter”. The password is not displayed on the screen upon entering. If the password is not entered correctly, the screen will display “Invalid Password Try Again” and you will be returned to the Update Firmware screen where you must press ENTER to try again.



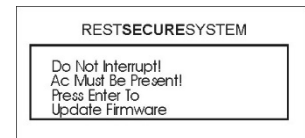
16. Highlight Update Pendant, Update Control Box or Update Both and then press ENTER.



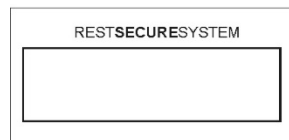
17. The screen will display the Update Firmware confirmation screen. Highlight Y for yes to begin the update process.



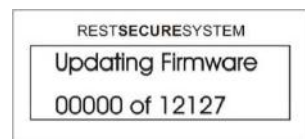
18. Make sure that AC current is present and then press ENTER to begin the update. DO NOT interrupt the update process.



19. The high sensitivity bed exit setting LED will blink repeatedly while the update process is taking place. The display will also be blank during this time. The update process usually takes about a minute to complete.



A rolling byte counter will be displayed while the control box update is taking place.



20. The unit will reboot and display “Loading...” and the revision level screen before returning to the home screen.

Before you begin to use the RSS after updating the firmware:

1. Complete a Calibration (see the section SW Rest Secure System Calibration Bed Exit Alarm & Scale System Calibration)
2. Reset the Defaults (see the section SW Rest Secure System Default Settings: Resetting to Factory Variables)

**NOTE: Please contact Sizewise technical support if the unit does not respond after completing a firmware update.**

# SW Rest Secure System™ Calibration

## Bed Exit Alarm and Scale System Calibration

It is important to calibrate this device after replacing a bed axle, caster, load cell(s) or the PC Board in either the control box or the hand control.

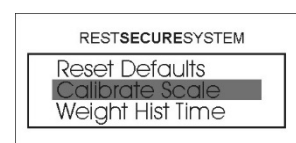
It is recommended to check the scale for accuracy if the bed is subject to excessive relocation, which may cause stress on the axles and load cells.

**NOTE:** Make sure all equipment and linens are on the bed before calibration. If an air support mattress is being used with the patient, be sure to fully inflate mattress prior to zeroing the scale. Adding or removing items during the calibration process will cause inaccurate patient weight.

1. Access the Menu by pressing the UP or DOWN arrow until System Settings is highlighted and then press ENTER.



2. Select Calibrate Scale and press ENTER.



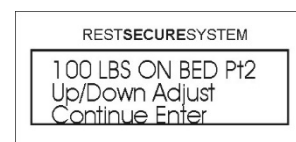
3. Enter the password using the UP or DOWN arrows on the key pad. The password for this operation is “up, down, up, down, Enter”. The password is not displayed on the screen upon entering. If the password is not entered correctly, the screen will display “Invalid Password Try Again” and you will be returned to the Calibrate Scale screen where you must press ENTER to proceed.



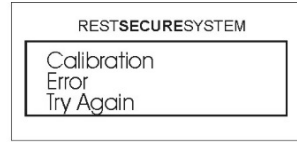
4. Make sure there is no weight on the deck of the bed and press ENTER. This will set the zero portion of the scale



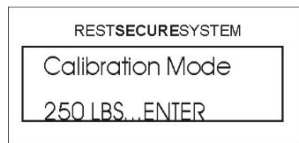
5. The screen will now instruct you to place 100 lbs. on the bed to calibrate point 2. Place 25 lbs. of certified test masses (weights) on each corner of the bed. Wait 10 seconds to allow the scale to adjust to the weight applied and then press ENTER.



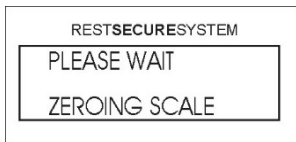
- The screen will now instruct you to place 250 lbs. on the bed to calibrate point 3. Place an additional 150 lbs. of certified test masses (weights) towards the center portion of the bed for a total of 250 lbs. Wait 10 seconds to allow the scale to adjust to the weight applied and then press ENTER. This calibrates point 3 of the scale calibration to 250 lbs. If you receive an error after pressing ENTER, you will need to repeat steps 1 — 6.



- The screen now shows you Calibration Mode. Wait until the screen reads 250 lbs. (+/- 2 lbs.) and then press ENTER. The calibration process is now complete and you will be returned to the Home Screen. You may now remove the test masses (weights) from the bed.



- Press and hold the ZERO button for 3 seconds. The unit will return to the Home Screen when the zeroing process is complete.



**NOTE:** A calibration error may be caused by not allowing the unit to adjust to the applied weight before pressing ENTER or by using non standardized weights. A faulty load cell(s) will also cause a calibration error (see the Troubleshooting section).

Please use ASTM, OIML, NIST certified test masses when calibrating this scale. This will ensure proper calibration and scale readings. If your facility does not have certified test masses, enlist the service of an accredited body to perform the scale calibration.



# SW Rest Secure System™ Bed Exit Alarm Sensitivity Adjustment

This section gives instructions on how to customize or adjust each sensitivity setting. These settings may be adjusted to meet the direct needs of the patient. The preset weight settings have been optimized for reliable functionality. The bed exit alarm uses a change in weight to determine the position of the patient.

- High Sensitivity Setting: +/- 4 lbs. change in patient weight
- Medium Sensitivity Setting: -9 lbs. change in patient weight
- Low Sensitivity Setting: -50 lbs. change in patient weight.

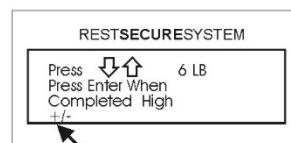
- From the Home Screen, hold the ENTER button for 10 seconds until the Enter Password screen is shown.



- Enter the password using the UP or DOWN arrows on the key pad. The password for this operation is “up, down, up, down, Enter”. The password is not displayed on the screen upon entering. If the password is not entered correctly, the screen will display “Invalid Password Try Again” and you will be returned to the Home Screen where you must repeat step 1 to proceed.



- The high sensitivity setting light on the key pad will blink and the screen will show the high sensitivity weight adjustment screen. Using the UP or DOWN arrows you may adjust the weight sensitivity in 1 lb. increments. It is highly recommended that you keep this value between +/- 4 thru 6 lbs. for optimal monitoring. This setting will monitor a +/- change in weight. You may change to a minus only weight monitoring by pressing the Zero button. Press ENTER when you have changed the value. If you wish to skip changing the adjustment of this value and proceed to the medium sensitivity setting, simply press ENTER.

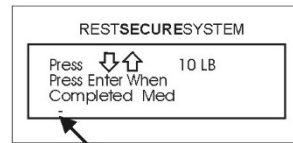


This setting shows a (+/-) weight monitoring.

This can be changed to a (-) weight monitoring by pressing the ZERO button.

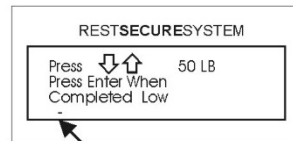
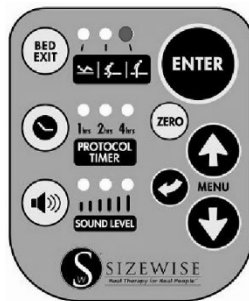
**NOTE:** It is highly recommended to keep the preset weight adjustments at their default settings to ensure proper monitoring of the bed exit alarm system.

- The medium sensitivity setting light on the key pad will blink and the screen will show the medium sensitivity weight adjustment screen. Using the UP or DOWN arrows you may adjust the weight sensitivity in 1 lb. increments. It is highly recommended that you keep this value between -10 thru -20 lbs. for optimal monitoring. Press ENTER when you have changed the value. If you wish to skip the adjustment of this value and proceed to the low sensitivity setting, simply press ENTER.



This setting shows (-) weight monitoring. This can be changed to a (+/-) weight monitoring by pressing the ZERO button.

- The low sensitivity setting light on the key pad will blink and the screen will show the low sensitivity weight adjustment screen. Using the UP or DOWN arrows you may adjust the weight sensitivity in 1 lb. increments. It is highly recommended that you keep this value between -40 thru -60 lbs. for optimal monitoring. Press ENTER when you have changed the value. If you wish to skip adjusting this value and proceed to the home screen simply press ENTER.



This setting shows a (-) weight monitoring. This can be changed to a (+/-) weight monitoring by pressing the Zero button.

**NOTE:** It is highly recommended to keep the preset weight adjustments at their default settings to ensure proper monitoring of the bed exit alarm system.

# SW Rest Secure System™ Default Settings: Resetting to Factory Variables

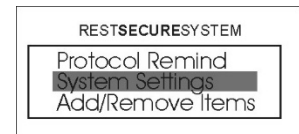
It is important to reset to the factory defaults, before placing a different patient in the bed. This routine is typically performed during quality control checks or during routine service. Resetting defaults should also be performed, if the PC board in either the RSS control box or the RSS hand control has been replaced, or if the firmware has been updated (See Maintenance Section page 23). Performing a reset will ensure that the RSS is operating to the specifications in which it was intended. Resetting the defaults will not require a re-calibration to the scale.

Resetting the defaults will:

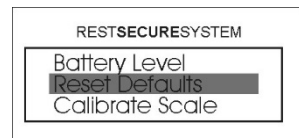
- Set the Bed exit alarm to its default tone #1.
- Reset the bed exit sensitivity thresholds to the default values: +/- 4 lbs. for High, -9 lbs. for Medium and -50 for Low.
- Set the language back to English.
- Set the weight units to Pounds.
- Clear patient weight history file.
- Set lbs./kg lock to unlock.
- Set bed exit alert type to tone.
- Set protocol alert type to tone.
- Voice message is erased and replace with a tone sound.
- Reset the weight history record time to 24:00 (00:00) hours.

Resetting the Defaults:

1. Access the Menu by pressing the UP or DOWN arrow until System Settings is highlighted and then press ENTER.



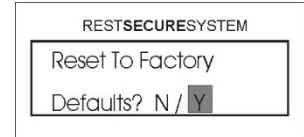
2. Select Reset Defaults and then press ENTER.



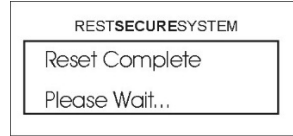
3. Enter the password using the UP or DOWN arrows on the key pad. The password for this operation is “up, down, up, down, Enter”. The password is not displayed on the screen upon entering. If the password is not entered correctly, the screen will display “Invalid Password Try Again” and you will be returned to the Reset Defaults screen as shown in step 2, where you must press ENTER to proceed.



4. Using the UP or DOWN arrows on the keypad, select Y for Yes and then press ENTER. If you select N for No, you will be returned to the Home Screen without resetting the defaults.



5. The unit is now resetting the defaults and will return to the Home Screen when complete.



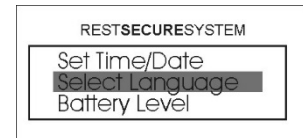
# SW Rest Secure System™ Language Options

The Sizewise Rest Secure System is available with 4 languages, English, French, Spanish and German. English is the default setting for this device. To change language setting follow the below instructions:

1. Access the Menu by pressing the UP or DOWN until System Settings is highlighted and then press ENTER.



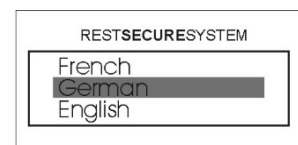
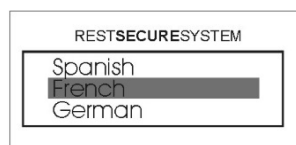
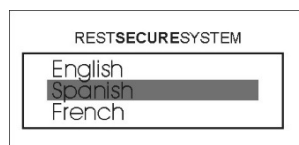
2. Highlight Select Language and then press ENTER.



3. Enter the password using the key pad. The password for this operation is “up, down, up, down, Enter”. The password is not displayed on the screen upon entering. If the password is not entered correctly, the screen will display “Invalid Password Try Again” and you will be returned to the “Select Language” screen where you must press ENTER to try again.



4. Select one of the 3 languages and then press ENTER. The selection has now been made and you will need to press and hold the back button for 3 seconds to return to the Home Screen.



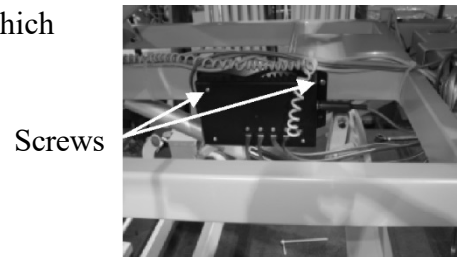
**NOTE:** If you accidentally changed the language, press and hold the “back” button for 30 seconds and it will allow you to revert back to English.

# SW Rest Secure System™ Battery Replacement

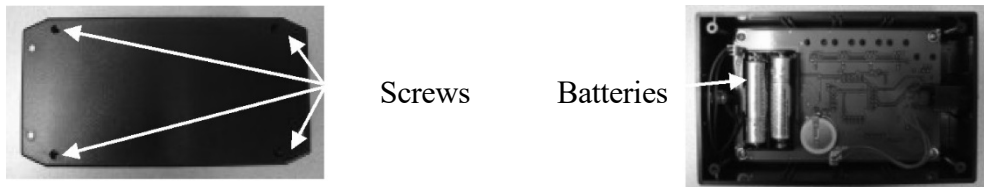
The Sizewise Rest Secure System contains 2 AA NiMH Rechargeable Batteries. These batteries serve as the back-up power source. The unit will monitor a patient for 200 minutes, without any alarms being triggered. The life of the batteries is unknown, as it depends on environmental conditions and use. The batteries should be replaced if you notice an abnormal discharge rate while running on backup power. This can be observed by monitoring the battery indicator on the home screen.



1. Disconnect the bed from AC current and locate the RSS control box under the bed. Disconnect the load cells, nurse call, AC adapter and RSS hand control cable from the control box.
2. Locate and remove the two Phillips head screws which secure the control box to the frame.



3. Remove the four screws from the back of the control box. Replace the batteries as marked and reassemble.



4. Mount the control box to the bed and reconnect the cables. Plug the bed AC into the wall receptacle and allow the new batteries 15 minutes to charge before using the RSS.



NiMH batteries are far more environmentally friendly than their alkaline counterparts, they do eventually lose their charge capacity and must be discarded. To minimize environmental impact, some companies offer recycling of NiMH batteries. Taking advantage of this program keeps the batteries out of the landfills. Contact your local recycling center for proper battery disposal or local regulatory authorities for more information.



**WARNING:** Never dispose of batteries in a fire because they may explode.

Only attempt to recharge batteries marked as rechargeable.

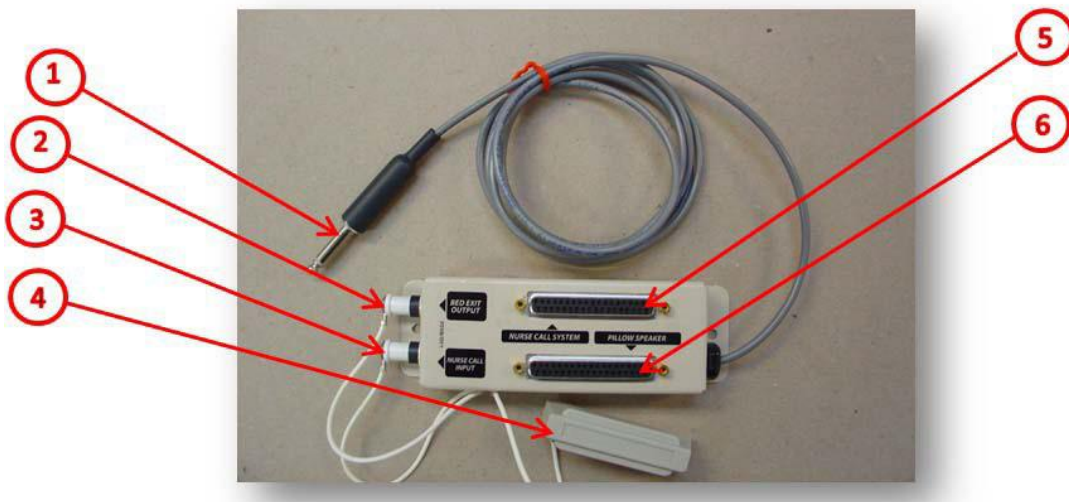
A non-rechargeable battery will rupture or leak when charge is attempted.

Replace batteries with the same type (NiMH) or its equivalent. Failure to do so may seriously compromise the integrity of the Rest Secure System.



**NOTE:** The battery indicator will only be shown on the Home Screen while running on battery power. This unit contains a button cell battery which maintains all of the default and calibration settings. No reprogramming is necessary when replacing the two AA rechargeable batteries. The RSS will not operate without batteries installed.

## RSS Nurse Call Connectivity

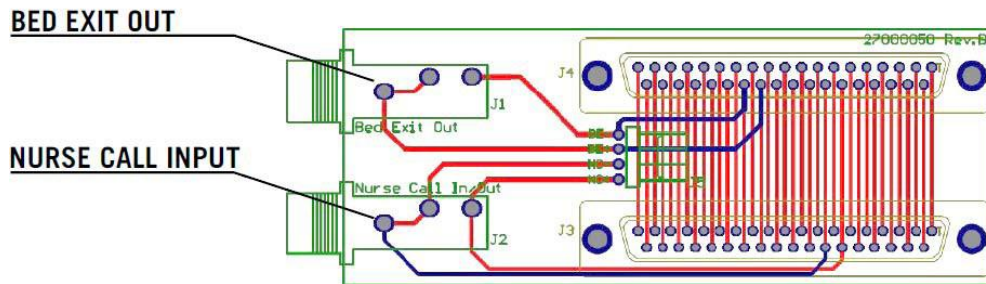


### RSS Nurse Call Multi-Interface Box Connections

1. ¼" Phone Plug – Connects to the RSS Control Box.
2. Bed Exit Output – Connects to the patient station connection of the nurse call interface when a 37 pin is not available. ¼" Dummy plug MUST be inserted when this connection is not in use.
3. Nurse Call Input – This connection interfaces with # 5 and is for use of a nurse call pendant. ¼" Dummy plug MUST be inserted when this connection is not in use.
4. 37 Pin Dummy Plug – MUST be inserted when a pillow speaker is not in use. Interlocks are connected on 7 & 25, 8 & 9, 10 & 11.
5. 37 Pin Connector – Connects to the patient station connection of the nurse call interface.
6. 37 Pin Connector – Pillow speaker connection.



## Schematic of Multi-Interface Board



RSS Bed Exit & Protocol Timer close on pins 30 & 31 (HIGH Priority)  
Nurse Call Input and Pillow Speaker Nurse Call close on pins 25 & 26 (Low Priority)  
Cord out alert on J1 & J2 (Low Priority) and J3 & J4

### **Connection Scenario #1 with ¼” plug:**

- Connect ¼” cable to wall and to #2 Bed Exit Output. RSS will alert Bed Exit and/or Protocol Alarm.

### **Connection Scenario #2 37 Pin Connector without Pillow Speaker:**

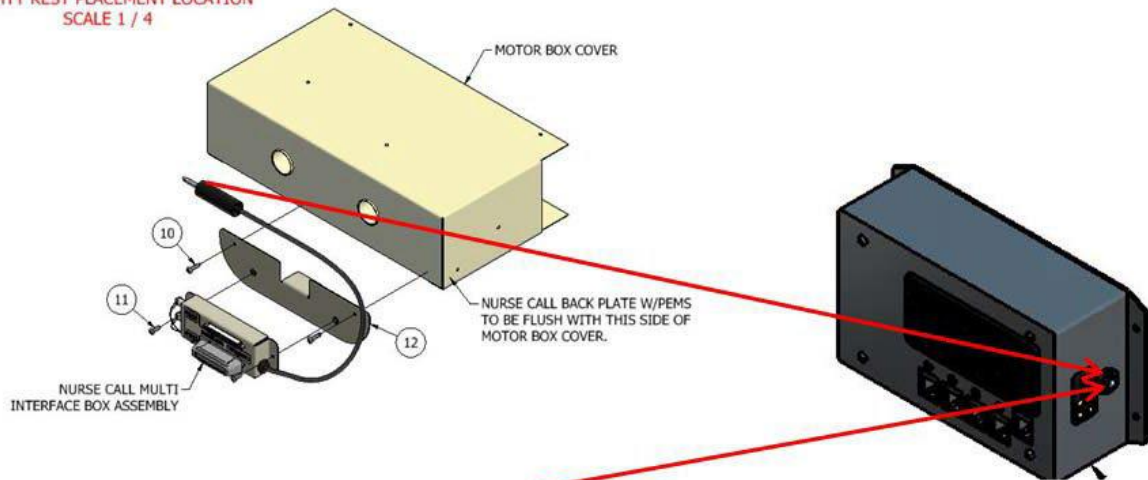
- Connect 37 Pin cable from wall to #5 Nurse Call System.
- Insert #4 Dummy Plug into #6 37 Pin Connector.
- Connect nurse call pendant (if available) into #3 Nurse Call Input.
- RSS will alert Bed Exit and/or Protocol on pins 30 & 31. The nurse call will alert on pins 25 & 26.

### **Connection Scenario #3 37 Pin Connector with Pillow Speaker:**

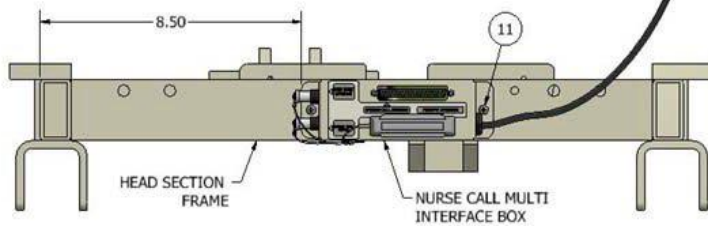
- Connect 37 Pin cable from wall to #5 Nurse Call System.
- Connect pillow speaker to #6 Pillow Speaker.
- RSS will alert Bed Exit and/or Protocol Timer on pins 30 & 31. The nurse call button on the pillow speaker will alert on pins 25 & 26.

## Placement

**NURSE CALL MULTI INTERFACE BOX ASSEMBLY  
MIGHTY REST PLACEMENT LOCATION  
SCALE 1 / 4**



**NURSE CALL MULTI INTERFACE BOX ASSEMBLY  
LOW BED PLACEMENT LOCATION.**



- 10. 27001179 – 8-18 x ½" Self Drilling Screw**
- 11. 27003070 – 8-32 x ½" Pan Head Screw**
- 12. 42050010 – Nurse Call Back Plate w/PEMS**

# Warranty Information

## Sizewise Rentals™, LLC (Sizewise) Limited Warranty

Sizewise is dedicated to manufacturing and distributing equipment that provides solution-oriented approaches to exceed the clinical, comfort and safety needs of our customers. Sizewise is proud to offer to the original purchaser, the following warranties, effective February 20, 2012:

<b>Product</b>	<b>Parts Warranty</b>	<b>Electronics</b>
SW Rest Secure System™	Limited 1 yr. on defective parts/workmanship	1 yr.

### **How to obtain Parts and Service**

1. Contact Sizewise Parts and Service at 1-800-814-9389 to speak with a qualified specialist who can assist with troubleshooting, parts and repairs. The product model and serial identification numbers are required for service and parts. Parts can be expedited upon request for an additional fee. If on-site technical service is required, a qualified service representative will be dispatched.
2. If a product or part should be returned to Sizewise, a return authorization number (RA#) will be issued. The RA# will be valid for 21 days from the date it is issued.
3. If the problem is a result of defective material or workmanship, the product or part will be replaced or repaired at the discretion of Sizewise, at no charge to the customer.
4. For replacement or repair of a product or part not covered under this warranty, or if warranty is void, the standard rates will apply. Freight or delivery charges will be billed to the customer.
5. Sizewise products are identified by serial number. Removal of this number may void the warranty.

### **Limitations and Exclusions**

1. Products that have been subject to negligence, abuse, improper storage or handling, improper operation, unauthorized modifications or damages beyond normal wear and tear, as determined by Sizewise, are not covered by this warranty.
2. If weight capacity on any such product is exceeded, the warranty will be void. Any unauthorized repairs to product/part, as well as tampering with any components, will void the warranty.
3. Parts or materials that are subject to normal wear resulting from the use of these products that must be replaced or repaired are excluded and are not covered by this warranty.
4. **SUBJECT TO STATE SPECIFIC LAW, THIS WARRANTY IS EXCLUSIVE AND IN LIEU OF ALL OTHER EXPRESS OR IMPLIED WARRANTIES, INCLUDING BUT NOT LIMITED TO THE IMPLIED WARRANTY OF MERCHANTABILITY AND FITNESS FOR A PARTICULAR PURPOSE, AND SHALL NOT EXTEND BEYOND THE DURATION OF THIS WARRANTY. SIZEWISE SHALL NOT BE LIABLE FOR ANY CONSEQUENTIAL OR INCIDENTAL DAMAGES.**
5. This warranty applies to the original purchaser only and is non-transferable.
6. Headboard, footboard and batteries are excluded from the one (1) year warranty.
7. Cleaning upholstery or fabrics with harsh chemicals, or bleach, outside the recommended cleaning guidelines may void the warranty.

**Sizewise Bari Rehab Platform 3™ (BRP3)  
Product No. 45060100, 45060150  
Limited Product Warranty**

**PLEASE READ THESE WARRANTY TERMS AND CONDITIONS CAREFULLY BEFORE USING YOUR SIZEWISE PRODUCT. BY USING THE PRODUCT, YOU ARE CONSENTING TO BE BOUND BY THE FOLLOWING WARRANTY TERMS AND CONDITIONS.**

**LIMITED WARRANTY.**

Sizewise Rentals, L.L.C. ("Sizewise") warrants the above referenced product to be free from material defects in materials and workmanship for the warranty periods set forth below when the product is used and serviced properly in accordance with the specifications set forth in the Sizewise owner's manual in effect at the time of sale of the product, including without limitation compliance with the safe working load set forth therein. If there is no period of time specified below, the warranty period shall be ninety (90) days. The warranty periods commence on the invoice date of the original purchase. This warranty applies only against defects discovered within the warranty period and extends only to the original purchaser or designated original end user of the product ("Buyer"). Parts repaired or replaced under the terms of this warranty will be warranted for the remainder of the original warranty period only. Buyer is solely responsible for determining whether the products and services offered by Sizewise are appropriate for its intended use including use by Buyer's employees, invitees, contractors, representatives, third party beneficiaries, or any other person Buyer intends to use the product. Buyer acknowledges it has made the selection of the products based upon its owner judgment and that the product is of a size, design, capacity, condition, quality, durability selected by Buyer. Buyer expressly disclaims any reliance upon any statements or representations made by Sizewise or any other party on its behalf except as otherwise specifically provided for in this Limited Product Warranty. Buyer acknowledges and agrees that the remedy in this warranty for the repair and replacement of defective product or part(s) shall constitute the sole remedy in the event of a defective product or part(s). **THE WARRANTY GIVES BUYER SPECIFIC LEGAL RIGHTS, AND BUYER MAY ALSO HAVE OTHER RIGHTS THAT VARY FROM STATE TO STATE.** Sizewise's obligations under this warranty are limited as set forth below.

**WARRANTY PERIOD AND COVERAGE**

Model	Capacity	Frame	Welds	Electronics & Parts	Actuators
Bari Rehab Platform 3™	1000 lbs. (453 kg.)	5 yr.	10 yr.	1 yr.	1 yr.

**CONDITIONS AND RESTRICTIONS.**

**This warranty is valid only in accordance with the conditions set forth below:**

- The warranty applies to this Sizewise product only while:
  - it remains in the possession of the Buyer and proof of purchase is demonstrated,
  - it has not been subjected to accident, misuse, abuse, improper service, or modification,
  - claims are made within the warranty period.
- This warranty does not apply to any other products or devices sold separately regardless of whether used with this product. Such other products or devices will be subject to the separate limited product warranty set forth in the user manual for such product or device.
- Sizewise's sole liability shall be discharged by replacing or repairing, at Sizewise's option, the product or its part or parts which are determined by Sizewise to be defective under normal and proper use during the warranty period.
- Buyer shall notify Sizewise or the authorized Sizewise dealer immediately but in no event more than

seven (7) days after the date of discovery of any alleged defect by contacting Sizewise Parts and Services at 1-800-814-9389 Monday through Friday 8am – 5pm CDT

- If the product or part should be returned to Sizewise, a return authorization number (RA#) must be obtained by Buyer from Sizewise. The RA# will be valid for 21 days from the date it is issued.
- Buyer is responsible for any shipping, freight, handling, pickup or delivery charges or fees including without limitation any expediting fees involved with the delivery of the defective product or parts to Sizewise's factory for repair or replacement.
- If on-site technical service is required, a service representative will be dispatched during Sizewise's standard service hours Monday through Friday 8am – 5pm CDT and provided the product is located within Sizewise's service territory.
- If Sizewise determines the problem with the product or part(s) is a result of defective material or workmanship, the product or part will be replaced or repaired at the discretion of Sizewise, and at no charge to the Buyer however subject to the limitations and exclusions of this Limited Product Warranty.
- At the election of Sizewise, replacement parts may be new or refurbished; and Sizewise reserves the right to substitute materials if original materials are no longer available.
- If Sizewise determines the product or part that Buyer has requested warranty services on are not covered by the warranty for any reason including without limitation because it is outside of the warranty period, excluded from the warranty or the warranty is void, Buyer shall pay for the repair or replacement services, including parts and labor performed by Sizewise at Sizewise's prevailing time and material rates plus freight and delivery.
- If Buyer declines the repair or replacement service upon notice from Sizewise it is not covered under warranty, Buyer shall reimburse Sizewise for all costs from investigating and responding to Buyer's request.
- Any costs to Buyer as referred to herein shall be at Sizewise's prevailing time and material rates plus any freight and delivery charges incurred by Sizewise.
- Any assistance provided by Sizewise outside the terms of this warranty does not waive the limits of this warranty.
- Sizewise does not pay labor outside the United States.
- Any description of Sizewise's products is for identification purposes only and is not an express warranty.
- Loaned products, demo or sample products and/or consumable products including without limitation batteries and sheets are furnished to Buyer on an "AS IS WITH ALL FAULTS" basis.

#### **EXCLUSIONS AND LIMITATIONS.**

**This Limited Product Warranty shall not apply to, and Sizewise shall have no obligation to make repairs, replace or correct products including any part or parts of the product as the result of Sizewise's determination of any of the following:**

1. Software (PROM) or firmware version upgrades or updates or any other changes and/or any outages, interruptions, delays, attacks, malware, or any other technology or viruses on such software or firmware or Buyer's network, if applicable to this product.
2. Normal wear and tear of the product including without limitation normal discoloring, body impressions on mattresses or loss in some resiliency, if applicable to this product, and cosmetic items. Consumable items include without limitation mattresses, casters, sheets, handsets and batteries.
3. Damage due to improper transport, storage, installation, maintenance, use, repair or failure to follow Sizewise's instructions or procedures as detailed in the owner's manual.
4. Damage or malfunctions resulting from work performed by service providers not authorized by Sizewise.
5. Repairs performed on a Sizewise product or parts missing a serial number or with a serial tag that has been altered, tampered with or defaced in any manner.
6. Service calls to correct installation of the product unless installed under contract by Sizewise or its partners and in which event the terms of the service contract only shall apply to service installation corrections.
7. Shipping, freight, handling, pickup and delivery charges or fees involved with delivery of the products and or part(s) to Sizewise's factory for repair or replacement and returning the replacement or repaired products and/or parts to Buyer.

8. Any labor costs incurred beyond the applicable labor warranty period.
9. Damage or product failure from causes external to the product or part(s) including without limitation power or electric failure or surges, electrical wiring not in compliance with electrical codes or Sizewise owner's manual specifications.
10. Damage caused by failure to provide reasonable and necessary maintenance as outlined in the owner's manual.
11. Damage caused by the use, misuse, negligence, loss, abuse of the product or any parts by Buyer including without limitation any third party beneficiaries, end user or others persons Buyer intends to use the product, including without limitation (except Sizewise or an authorized Sizewise service provider):
  - a. exceeding the safe working load on this product or any specific weight capacity for a part,
  - b. cleaning upholstery or fabrics with harsh chemicals, or bleach, outside the recommended cleaning guidelines,
  - c. altering, tampering with, or modifying in any manner without the express written consent of Sizewise any part(s) or structural components or appurtenances of the products,
  - d. use of the product or part(s) in a manner for which it is not designed or in any manner inconsistent with the information set forth in the Sizewise owner's manual including without limitation use with other devices or ancillary products for which it was not intended.
12. Exposure of the product or part(s) to, whether foreseen or unforeseen, accident, acts of God, or natural causes (such as natural disasters, fire, flood, wind, water or powerfailures, acts or threats of terrorism).
13. Operation of the product beyond its normal useful life.
14. Buyer's failure to show proof of purchase.
15. Products or items not manufactured by Sizewise. Rather for products or items obtained by Sizewise from an original manufacturer or third party supplier Sizewise may assign to the Buyer any warranty rights in such products or items that Sizewise may have from the original manufacturer or third party supplier, to the extent such assignment is allowed by the original manufacturer or third party supplier.

#### **DISCLAIMER AND RELEASE.**

The warranties provided herein are the exclusive warranties given by Sizewise and supersede any prior, contrary or additional representations or warranties, whether oral or written. **EXCEPT FOR THE EXPRESS WARRANTIES IN THIS LIMITED PRODUCT WARRANTY, SIZEWISE DISCLAIMS ANY AND ALL OTHER WARRANTIES WHETHER EXPRESS OR IMPLIED WARRANTIES, INCLUDING, WITHOUT LIMITATION, ANY WARRANTIES OF MERCHANTABILITY, FITNESS FOR A PARTICULAR PURPOSE OR NON-INFRINGEMENT, AND ANY WARRANTIES ARISING FROM COURSE OF DEALING, USAGE OF TRADE, OPERATION OF LAW OR OTHERWISE WITH RESPECT TO ANY PRODUCT, SERVICES, PARTS INCLUDING REPAIRED OR REPLACED PRODUCTS AND PARTS. ARE HEREBY DISCLAIMED AND EXCLUDED. Sizewise ALSO HEREBY DISCLAIMS AND EXCLUDES ALL OTHER OBLIGATIONS OR LIABILITIES, EXPRESS OR IMPLIED, ARISING BY LAW OR OTHERWISE, WITH RESPECT TO ANY NONCONFORMANCE OR DEFECT IN ANY PRODUCT OR PART(S), INCLUDING BUT NOT LIMITED TO: (A) ANY OBLIGATION, LIABILITY, RIGHT, CLAIM OR REMEDY IN TORT, WHETHER OR NOT ARISING FROM THE NEGLIGENCE OF SIZEWISE OR ITS SUPPLIERS (WHETHER ACTIVE, PASSIVE OR IMPUTED); AND (B) ANY OBLIGATION, LIABILITY, RIGHT, CLAIM OR REMEDY FOR LOSS OF OR DAMAGE TO ANY PRODUCT OR PART(S). THIS DISCLAIMER AND RELEASE SHALL APPLY EVEN IF THE EXPRESS WARRANTY SET FORTH ABOVE FAILS OF ITS ESSENTIAL PURPOSE.**

#### **Exclusive Remedies.**

For any product described above that Sizewise determines to have failed to conform to its warranty, Sizewise will provide, at its option, one of the following:

- (1) repair;
- (2) replacement; or
- (3) refund of the purchase price.

Sizewise Limited Product Warranty service may be obtained by contacting Sizewise or the authorized dealer from whom Buyer purchased the item. Sizewise compensates only Sizewise authorized service providers for warranty trips within their normal service area to repair commercial products at the customer's location.

**THESE SHALL BE THE SOLE AND EXCLUSIVE REMEDIES OF THE BUYER FOR ANY BREACH OF WARRANTY.**

**EXCLUSION OF CONSEQUENTIAL AND INCIDENTAL DAMAGES.**

**SIZEWISE AND/OR ITS SUPPLIERS SHALL HAVE NO OBLIGATION OR LIABILITY, WHETHER ARISING IN CONTRACT (INCLUDING WARRANTY), TORT OR ANY OTHER LEGAL THEORY (INCLUDING ACTIVE, PASSIVE, OR IMPUTED NEGLIGENCE AND STRICT LIABILITY), OR OTHERWISE, FOR DAMAGE TO THE PRODUCT INCLUDING PART(S), PROPERTY DAMAGE, DEATH, PERSONAL INJURY, LOSS OF USE, GOODWILL, REVENUE OR PROFIT, COST OF CAPITAL, COST OF SUBSTITUTE PRODUCT, ADDITIONAL COSTS INCURRED BY BUYER (BY WAY OF CORRECTION OR OTHERWISE) OR ANY OTHER INCIDENTAL, SPECIAL, INDIRECT, COMPENSATORY OR CONSEQUENTIAL DAMAGES, INCLUDING WITHOUT LIMITATION WHETHER RESULTING FROM NONDELIVERY, USE, MISUSE OR INABILITY TO USE THE PRODUCT, SERVICES OR PART(S). THIS EXCLUSION APPLIES EVEN IF THE ABOVE WARRANTY FAILS OF ITS ESSENTIAL PURPOSES AND REGARDLESS OF WHETHER SUCH DAMAGES ARE SOUGHT FOR BREACH OF WARRANTY, BREACH OF CONTRACT, NEGLIGENCE, OR STRICT LIABILITY IN TORT OR UNDER ANY OTHER LEGAL THEORY. SIZEWISE LIABILITY SHALL BE LIMITED TO THE AMOUNT PAID BY BUYER FOR THE RELEVANT PRODUCT. SOME STATES DO NOT ALLOW THE EXCLUSION OR LIMITATION OF INCIDENTAL OR CONSEQUENTIAL DAMAGES, SO THE ABOVE LIMITATION AND EXCLUSION ON SUCH MAY NOT APPLY.**

**EXTENDED WARRANTY.** If the product covered under the Limited Product Warranty set forth herein had from Sizewise an extended warranty option made available only at the time of the Buyer's original purchase from Sizewise, Buyers who then also purchased such extended warranty, and have proof of such purchase, may extend the warranty period stated above in the Limited Product Warranty on parts, electronics, frame and labor relating to parts, electronics and frame repairs, as applicable, for an additional one (1) or two (2) years, whichever extension is purchased by Buyer ("extended warranty period"). Other than the extension on the warranty period, all other terms of the limited product warranty including without limitation the conditions and restrictions, exclusions and limitations, disclaimer and release, and exclusion of consequential and incidental damages of the original limited product warranty apply during the extended warranty period. For the purpose of clarity an extended warranty is not available where the original warranty period is less than one (1) year, and an extended warranty may only be purchased by Buyer at the time of the original purchase of the product from Sizewise.

**To make a warranty claim, contact:**

SIZEWISE  
8601 MONROVIA  
LENEXA, KS 66215  
1-800-814-9389 Monday through Friday 8am-5pm CDT

**Complete this portion and keep for your records.**

Purchased From: Sizewise

Product/model: \_\_\_\_\_

Serial number: \_\_\_\_\_

## **Manufacturer Disclaimer**

### **General Information**

All specifications, equipment and prices are subject to change without notice. Sizewise reserves the right to make improvements from time to time. Photos and drawings are representative of the products and may vary slightly from actual production models. Some items photographed in this user's manual may include optional equipment. Contact or consult Sizewise to ensure proper equipment sizes, specifications and options.

### **Trademarks and Patents**

Bari Rehab Platform 3™ and SW Rest Secure System™ are trademarks of Sizewise Rentals LLC.

Patent Pending for the Bari Rehab Platform 3™.

### **Copyright**

Copyright© 2016 by Sizewise Rentals LLC.

All rights reserved.

No part of the contents of this manual may be reproduced, stored in a retrieval system or transmitted in any form or by any means, electronic, mechanical, photocopying, recording or otherwise, without the written permission of Sizewise.





8601 Monrovia Street  
Lenexa, KS 66215

800-814-9389  
sizewise.com

*Sizewise is a registered trademark of Sizewise Rentals, LLC.  
All specifications, equipment, and prices are subject to change without  
notice. Photos and drawings are representative of the products and may  
vary slightly from actual production models.*