


Quick Set-Up Guide

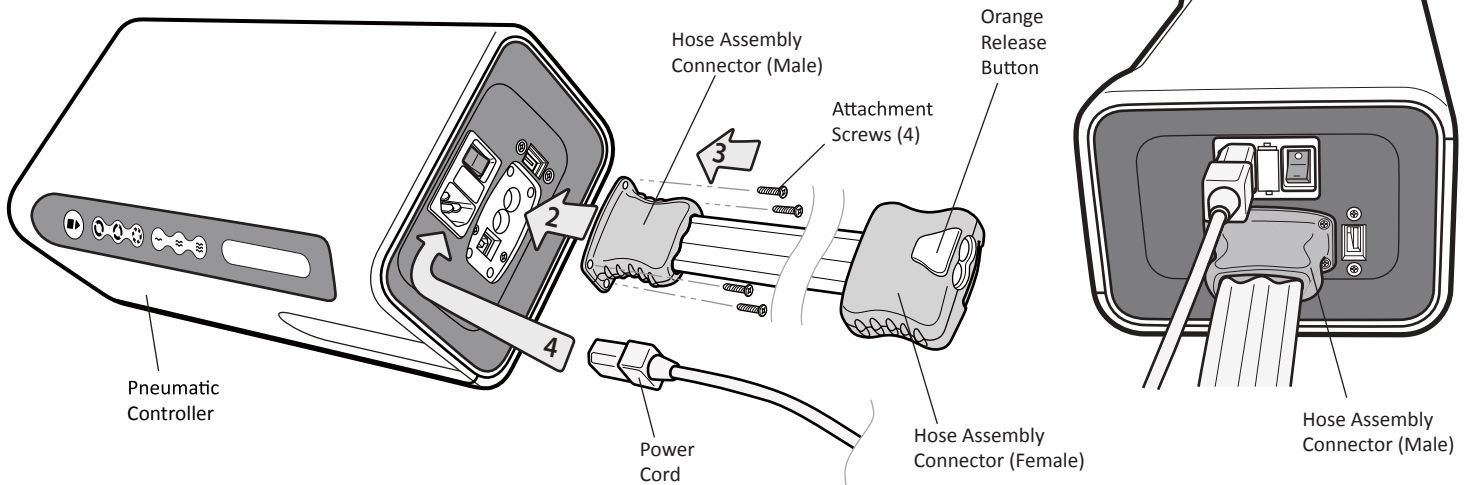
Important Before You Start

This is a quick set-up guide only. Please read supplied (**Instructions For Use**) manual carefully and completely before using this product. As with any device, failure to carefully read and follow all instructions and safety information prior to use may result in decreased product performance or failure. See Dabir INstructions for Use for system operation.

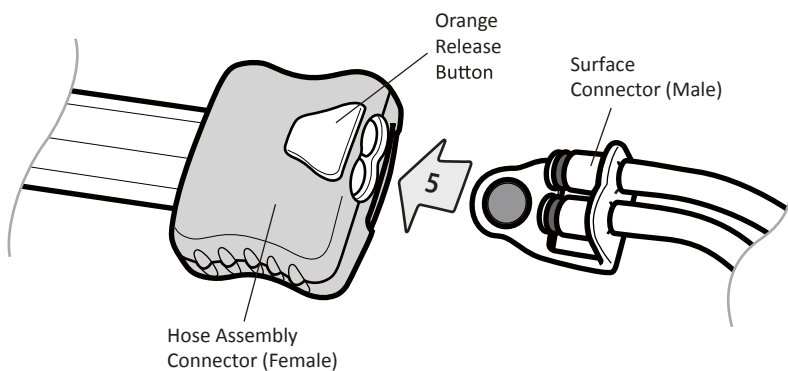
Hose Installation


1. Place Pneumatic Controller on a flat, stable surface, away from any edges to prevent fall damage.
2. Insert the Hose Assembly Connector (Male) into the female end of the Pneumatic Controller.
3. Insert the four (4) Attachment Screws into the Hose Assembly Connector (Male) and tighten with the provided Screwdriver.
4. Insert Power Cord as shown.

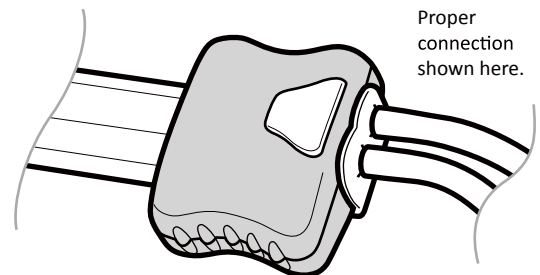
 **CAUTION:** Do not over-tighten the Attachment Screws.



5. With the Pneumatic Controller "STOPPED" or powered "OFF", insert the Surface Connector (Male) into the Hose Assembly Connector (Female). An audible "click" can be heard once the connectors are fully seated. Confirm connector seating with a slight pull.



 **CAUTION:** Do not use petroleum based lubricants on seals as it may cause them to swell and/or leak.



NOTES:

- The connectors must be assembled as shown with a positive connection to ensure proper operation.
- Latex is not used in the manufacturing of this product.

Corporate Headquarters:

Manufacturer:

Sales:

Technical and Warranty Support:

Website:

Distributor (North America):

Authorized European Representative:

Dabir Surfaces, Inc., 7447 West Wilson Ave., Harwood Heights, IL 60706, USA, Tel: +1(888)559-3641

Dabir Surfaces, Inc., 7447 West Wilson Ave., Harwood Heights, IL 60706, USA, Tel: +1(888)559-3641

sales@dabir-surfaces.com

support@dabir-surfaces.com, Tel: +1 (888) 559-3642

www.dabir-surfaces.com

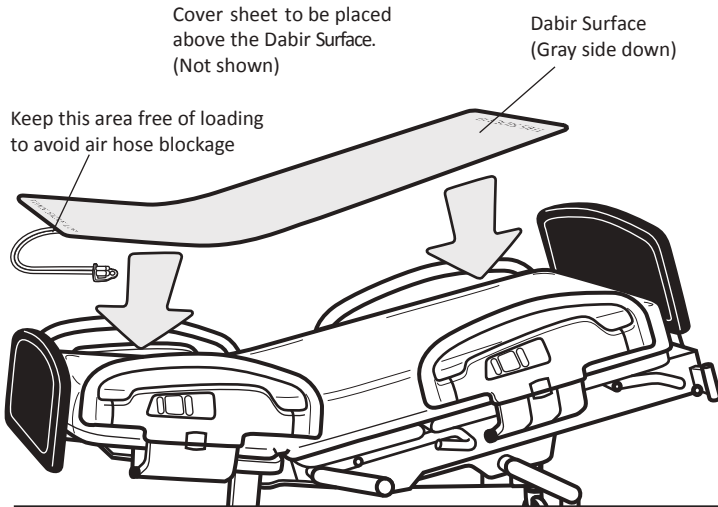
STERIS Corporation, Customer Service, Tel: +1(800)548-4873, Fax: +1(400)639-4450; Service Support, Tel: +1(800)333-8828

Emergo Europe, Westervoortsedijk 60, 6827 AT Arnhem, The Netherlands

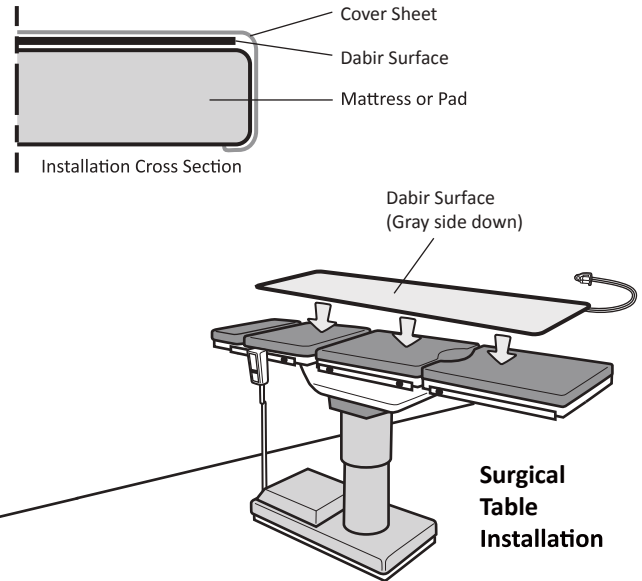


Dabir Surface Installation

1. Place Surface flat onto patient support surface, mattress or pad with "THIS SIDE UP" facing up (gray side down). The hose routing position is preferred to be at the foot end.
2. Place facility supplied cover sheet over the top of the Surface and tuck edges underneath the mattress or pad unless otherwise specified in manufacturer's (**Instructions For Use**) manual. Surface and cover sheet must be flat and wrinkle free.



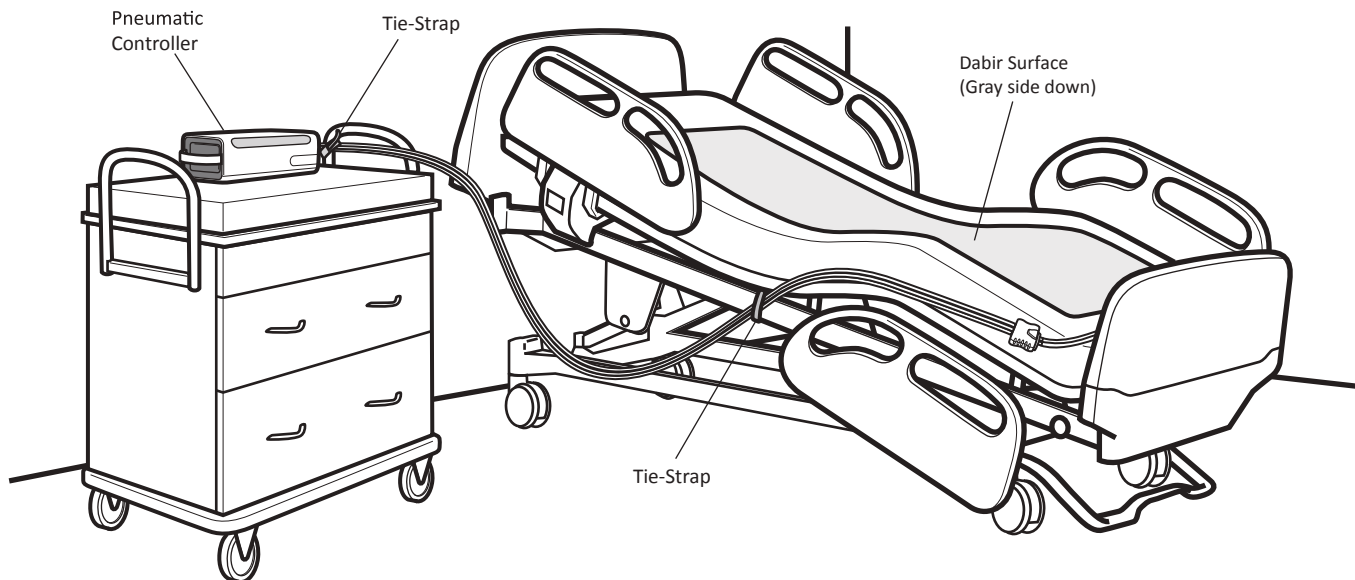
MedSurg Bed Installation



Surgical Table Installation

Basic Pneumatic Controller and Hose Assembly Set-up

1. Place Pneumatic Controller in a safe, out of the way location, approximately three (3) feet away from the bed or support surface, less than six (6) feet from a power outlet, and in a place where the user has easy access to the control panel for operation.
2. Route Power Cord and Hose Assembly such that it does not present a trip hazard.
3. Using the supplied Tie-Straps, secure Hose Assembly to a fixed or stable structure to prevent fall damage. (See image below for recommended securing method.)



NOTE: Latex is not used in the manufacturing of this product.

Corporate Headquarters:

Manufacturer:

Sales:

Technical and Warranty Support:

Website:

Distributor (North America):

Authorized European Representative:

Dabir Surfaces, Inc., 7447 West Wilson Ave., Harwood Heights, IL 60706, USA, Tel: +1(888)559-3641

Dabir Surfaces, Inc., 7447 West Wilson Ave., Harwood Heights, IL 60706, USA, Tel: +1(888)559-3641

sales@dabir-surfaces.com

support@dabir-surfaces.com, Tel: +1 (888) 559-3642

www.dabir-surfaces.com

STERIS Corporation, Customer Service, Tel: +1(800)548-4873, Fax: +1(400)639-4450; Service Support, Tel: +1(800)333-8828

Emergo Europe, Westervoortsedijk 60, 6827 AT Arnhem, The Netherlands



2