



umano  
medical



## User manual





**Umano**  
medical

User manual

**Copyright 2018 *Umano Medical Inc.***

**All Rights Reserved.**

No part of this publication may be reproduced, distributed, or transmitted in any form or by any means, including photocopying, recording, or using electronic or mechanical methods, without the prior written permission of the publisher, except in the case of brief quotations embodied in critical reviews and certain other noncommercial uses permitted by copyright law. For permission request, write to the publisher at the address below.

**Manufactured by:**

***Umano Medical Inc.***

230 boulevard Nilus-Leclerc, L'Islet QC G0R 2C0 CANADA

This publication is also available in other languages.

Use of the masculine form in this document refers to both men and women.

Printed in Canada

# TABLE OF CONTENTS

---

<b>INTRODUCTION</b> .....	5
<b>Product description</b> .....	5
<b>Product intended use</b> .....	5
<b>Contact</b> .....	5
<b>Product illustration</b> .....	6
<b>Technical specifications</b> .....	7
<b>Symbols and definitions</b> .....	9
<b>Pictograms and definitions</b> .....	11
<b>Safety measures</b> .....	14
Gradation and definition of safety measures .....	14
Safety measures .....	14

---

<b>GETTING STARTED</b> .....	19
<b>Steps list for set up</b> .....	19
Zeroing procedures .....	20

---

<b>OPERATING INSTRUCTIONS</b> .....	21
<b>Power up and modes of operation</b> .....	21
System signals and messages .....	23
<b>Transporting bed</b> .....	23
<b>Base, frame and litter</b> .....	24
Brake, neutral and steer .....	24
Drainage bag support .....	24
Accessory and equipment sockets .....	24
Patient restraint location .....	25
Bumpers .....	25
Head bumpers (optional) .....	25
Bumpers with side view lights .....	25
Power cord support brackets .....	26
CPR release .....	26
Nurse call connector .....	26
Auxiliary power outlets and USB port (optional) .....	27
Communication port .....	28

Control on frame .....	28
Nightlights .....	28
Lateral bed extension .....	29
<b>Head and foot ends siderails</b> .....	30
Backrest section angle degree indicator .....	30
Positioning siderail .....	30
Higher siderails (optional) .....	31
Patient mobilization helper (optional) .....	31
Patient siderail controls .....	32
Caregiver siderail controls .....	33
Patient control (optional) .....	34
<b>Headboard and footboard</b> .....	35
Built-in transport handles .....	35
Headboard .....	35
Integrated pump holder .....	35
Footboard control .....	35
Footboard control with display screen .....	36

---

<b>ACCESSORIES</b> .....	53
<b>Siderail pads - DM64515 and DM64516</b> .....	54
<b>Fixed IV pole 3/4" diameter - FA64506</b> .....	56
<b>Folding IV pole 3/4" diameter - FA64507</b> .....	57
<b>1" fixed IV pole for 3/4" socket -     FA64522</b> .....	58
<b>1" fixed IV pole for 1" socket - FA64508</b> .....	59
<b>Left 1" folding IV pole for 1" socket -     FA64521</b> .....	60
<b>Right 1" folding IV pole for 1" socket -     FA64523</b> .....	61
<b>Removable pump holder - FA64513</b> .....	62
<b>Oxygen bottle holder - FA64505</b> .....	63
<b>Oxygen bottle holder with clamp -     FA64527</b> .....	64
<b>Patient helper - 299-0100</b> .....	65

**Urinal holder - FA64525** .....66

**Removable patient control 2 functions -  
299-0150** .....67

**Removable patient control 6 functions -  
200-0151** .....68

---

**PREVENTIVE MAINTENANCE**.....69

**Preventive maintenance annual  
checklist**.....70

---

**CLEANING**.....71

**Cleaning**.....71

**Disinfection** .....71

**Mattress, mattress extension and  
siderail pads cleaning and care**.....71

---

**WARRANTY** .....73

Shipment receipt.....73

Product return.....73

Limited warranty .....73

Parts and service.....73

---

**INDEX**.....74

# INTRODUCTION

---

This manual includes instructions and information that are necessary for a normal and secure use of the **ook<snow>>ALL** bed, model 200-0000. Reading and understanding of instructions and information included in this manual, or other documents supplied with the product, are required prior to usage, or prior to perform maintenance on the equipment.

## Product description

The **ook<snow>>ALL**, model 200-0000, is an AC-powered medical bed with 4 built-in electric DC actuators. The height, width and surface contours are adjustable. The bed includes movable and latchable siderails, and control boards. The patient sleep surface can be manually extended of 4" lengthwise with the integrated bed extender and reach 84" or 88". The surface width can be extended through manual handle for width of 35" to 47". The product offers a range of options and accessories outlined in the manuals, including but not limited to: integrated scale, bed exit system, fixed or foldable IV pole, patient helper, oxygen bottle holder and extension cushions. The expected life under normal usage and maintenance is 10 years.

## Product intended use

The **ook<snow>>ALL**, model 200-0000, is designed for use in the following environments: intensive and critical care, bariatric care, acute care, outpatient care, professional long term care, palliative and hospice palliative care and, recovery or therapeutic areas. The product can be used for patient transportation between bays and procedural rooms. The overall capacity of the bed goes up to 1060 lb/481 kg. The bed is designed for the use of one single person, or one person with a bystander, within the product total safe working load specifications and maximum patient weight; it is also designed to be used with a sleep surface. The recommended minimum patient weight is of 70 lb/31.8 kg.

Users are health care providers, bystanders, maintenance staff and the patient. Lockout of siderails controls can limit patient access to functionalities. Only trained personnel or service technician should perform installation or maintenance on the bed.

## Contact

The manufacturer can be contacted for any assistance regarding the set up or the use of the bed, its maintenance or to report unexpected events at:

***Umano Medical Inc.***

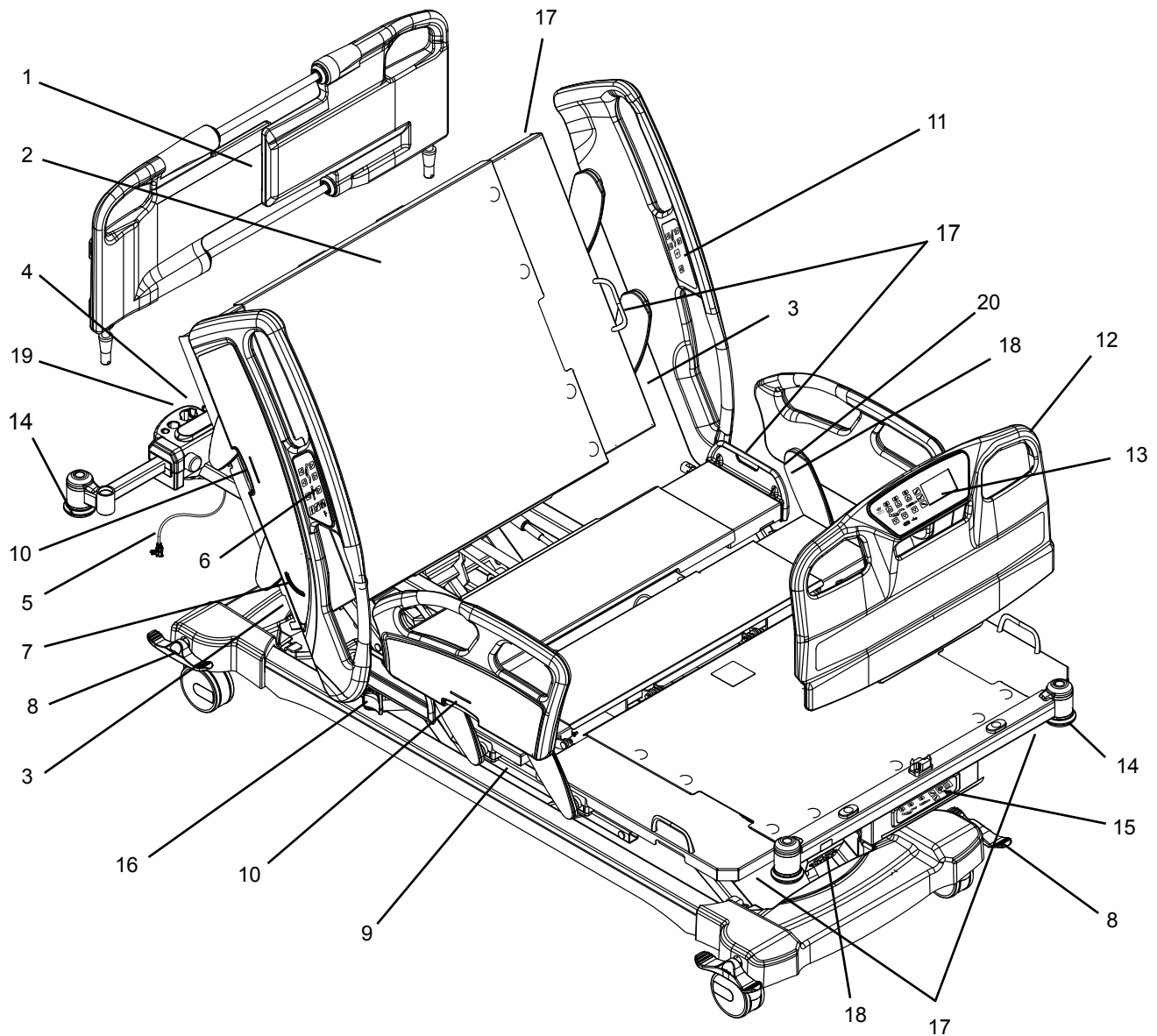
230 boulevard Nilus-Leclerc, L'Islet QC G0R 2C0 CANADA

T: (418) 247-3986

T: (844) 409-4030

[information@umanomedical.com](mailto:information@umanomedical.com)

## Product illustration



Item	Description	Item	Description
1	Headboard	2	Backrest section
3	CPR release handle	4	Nurse call plug (optional)
5	Power cord	6	Siderail control
7	Angle indicator	8	Brake, neutral and steer pedal
9	Drainage bag support	10	Siderail release handle
11	Patient siderail control	12	Footboard
13	Footboard control	14	Bumper
15	Frame control (optional)	16	Lateral bed extender handle
17	Patient restraint location	18	Auxiliary power outlets
19	Communication port (optional)	20	USB connector (optional)



## Technical specifications

<b>Weights and dimensions</b>		
Bed weight (based on features)	660 lb to 700 lb	299 kg to 318 kg
Safe working load (including patient, mattress and accessories)	1060 lb	481 kg
Maximum mattress weight	44 lb	20 kg
Maximum accessories weight	100 lb	45 kg
Minimum recommended patient weight Maximum patient weight	70 lb 916 lb	31.8 kg 416 kg
Length including bumpers (80" sleep surface) including bumpers (84" sleep surface)  • length added when bed is equipped of optional head bumpers	90" / 94" 94" / 98"  + 7/8"	229 cm / 239 cm 239 cm / 249 cm  + 2.2 cm
Width with siderails up with siderails down	41.5" / 52.75" 39.75" / 51.5"	104.1 cm / 134 cm 99.1 cm / 130.8 cm
Height * highest with 5" dual casters lowest with 5" dual casters highest with 6" dual casters (optional) lowest with 6" dual casters (optional)	30" 11" 31.7" 12.7"	76.2 cm 27.9 cm 80.5 cm 32.3 cm
Patient sleep surface width length	35" / 47" 80" / 84" 84" / 88"	88.9 cm / 119.4 cm 203.2 cm / 213.4 cm 213.4 cm / 223.5 cm
Under bed central zone clearance	5"	12.7 cm
<b>Angulations</b>		
Backrest section	0° to 60°	
Thigh section	0° to 30°	
Trendelenburg / reverse Trendelenburg	-16° to +16°	
<b>Recommended mattress</b>		
Foam mattress length width maximum thickness (with standard siderails) maximum thickness (with optional higher siderails) ILD perimeter	80" / 84" 35" / 47" 6" 8" 75	203.2 cm / 213.4 cm 88.9 cm / 119.4 cm 15.24 cm 20.32 cm 75
<b>Specialty or therapeutic mattress</b>		
Use foam mattresses recommendations to orient the choice of a therapeutic mattress. The decision for a therapeutic mattress should be documented by the clinical staff, based on a thorough patient clinical assessment, and should consider the entrapment risk and fall hazards related to the mattress combination.		

\* The stroke of the elevation system can be set to adjust the minimum height. Instructions are listed in the Maintenance Manual under Bed height settings.

<b>Environmental conditions</b>		
Use ambient temperature relative humidity atmospheric pressure	50 °F to 104 °F 5 to 95% without condensation 500 to 1060 hPa	10 °C to 40 °C 5 to 95% without condensation 500 to 1060 hPa
Transport and storage ambient temperature relative humidity atmospheric pressure	-40 °F to 158 °F 10% to 100% 500 hPa to 1060 hPa	-40 °C to 70 °C 10% to 100% 500 hPa to 1060 hPa
Maximum altitude	6,562 ft	2000 m
<b>Electrical requirements</b>		
Electrical and mechanical requirements	Compliance with standards: IEC60601-1, CAN/CSA C22.2 60601-1, UL60601-1, IEC60601-1-2, IEC60601-2-52, CAN/CSA C22.2 60601-2-52, IEC60601-1-6:2010, CAN/CSA C22.2 60601-1-6:11	
Degree of protection	IPX4	
Degree of protection against electrical shocks	Class I, Type B	
Scale accuracy	1 % with a difference of maximum 3 lb / 1.4 kg	
Voltage	120 V AC, 60 Hz / 220-240 V AC, 50-60 Hz	
Amperage (includes power outlet and powered system)	120V AC: Bed 4.25A / Auxiliary outlets (optional) 5A / Total = 9.25A 220-240V AC: Bed 2.15A / Auxiliary outlet (optional) 2A / Total = 4.15A	
Current leakage	<300 micro-amperes	
Battery type	sealed rechargeable lead acid battery 1.2 Ah, 2 x 12 V	
Actuator duty cycle	1 minute On, 9 minutes Off	
Auxiliary power outlets	120V AC / 5A 230V AC / 2A	
USB type A charger	120V bed: 5V DC / 3.1A 220-240V bed: 5V DC / 0.75A	

## Symbols and definitions

Different symbols are used on the product and in this manual. Their purpose is to inform the user on functional details or on safety related measures.



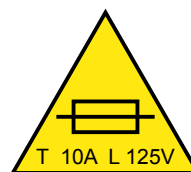
Indicates the medical device manufacturer



Indicates the need for the user to consult the instructions for use for cautionary information such as warnings and precautions that cannot be presented on the medical device itself



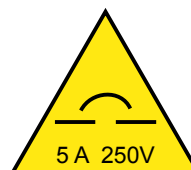
Indicates the date of manufacture



Indicates a fuse of 10 amperes / 125 volts



Indicates the manufacturer's catalogue number so that the medical device can be identified



Indicates a breaker of 5 amperes / 250 volts

IPX4

Indicates the level of protection against liquid splash



Indicates a warning of foot crushing hazard



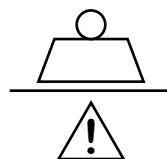
Indicates a Type B applied part complying with the specified requirements of this standard to provide protection against electric shock, particularly regarding allowable patient leakage current and patient auxiliary current



Indicates a warning of hand crushing hazard



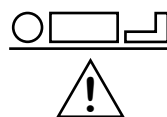
Indicates a terminal which is intended for connection to an external conductor for protection against electric shock in case of a fault, or the terminal of protective earth (ground) electrode



Indicates the total maximum charge for a safe use of equipment



Indicates that on the rating plate, the equipment is suitable for alternating current only to relevant terminals



Indicates the patient maximum weight for a safe use of the equipment



Indicates the need for the user to consult instructions for use



Indicates the need for the user to follow instructions for use



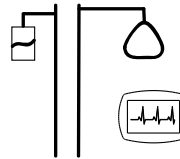
Indicates a general mandatory action



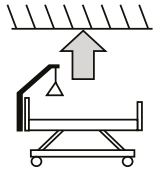
Indicates that the equipment has been independently tested and meets the applicable published safety standard



Indicates that when disposed, the equipment must be collected separately in accordance with the European Directive 2002/96 relatively to waste electrical and electronic equipment (WEEE)



Indicates the accessories weight



Indicates that equipment on bed may enter in contact with ceiling or ceiling lights depending on environment or bed configuration



Illustration indicating no weight must be applied on accessory when upper part of patient helper points towards the identified zone

## Pictograms and definitions

Different pictograms are used on the product and in this manual. Their purpose is to facilitate the reading and the understanding of the different functionalities to the user. If bed is equipped with screen, additional pictograms may be displayed in different menus. Refer to [Footboard control](#) (page 35) section if required.



Button for elevation of section illustrated below the button



Button for a 30 degrees angle positioning of the Backrest section



Button for lowering of section illustrated over the button



Button for chair positioning



Illustration indicating possible activation of Hi-Lo per use of button located over or below the pictogram



Button for Nurse Call



Illustration indicating possible activation of Backrest section AND/OR the Thigh Section per use of one or both buttons located over or below the pictogram



Button for activation or deactivation of controls backlight



Button for Trendelenburg positioning



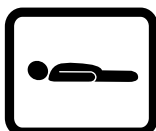
Button for activation or deactivation of room lights



Button for reverse Trendelenburg positioning



Illustration with LED indicator indicating power supply



Button for patient sleep surface flat positioning



Illustration with LED indicator for battery supply and battery charge level indication



Button for the vascular foot positioning



Button with LED indicator for lock (On), unlock (Off), of patient and siderail motion control



Button for patient sleep surface inclination to help with patient repositioning towards head end of the bed



Button with LED indicator for activation/deactivation, of bed exit control system

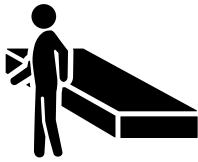


Illustration indicating selection of/ activated bed exit control degree of detection for Detection 1 - OUT-OF-BED



Illustration indicating the recommended mattress thickness



Illustration indicating selection of/ activated bed exit control degree of detection for Detection 2 - BED EXITING



Illustration indicating the recommended mattress width



Illustration indicating selection of/ activated bed exit control degree of detection for Detection 3 - MOVEMENT



Illustration indicating location for communication port

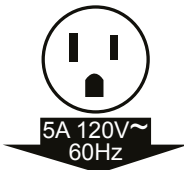


Illustration indicating location of auxiliary outlets

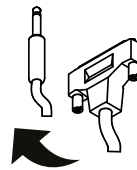


Illustration indicating location for nurse call connector



Illustration indicating patient is subject to falls



Illustration for the Inform system settings or usage



Illustration indicating that patient has one or more allergies



Illustration indicating necessity to monitor blood sugar level



Illustration indicating a patient subject to bedsore



Illustration indicating interdiction to drink liquids



Illustration indicating patient is subject to confusion



Illustration indicating interdiction to change bed configuration



Illustration indicating the necessity to monitor blood pressure



Illustration indicating that no visitors are allowed



Illustration indicating that two persons are required to move the patient

## Safety measures

Terms DANGER, WARNING, ATTENTION and IMPORTANT are used in this manual to indicate important measures to take for use or maintenance of the equipment. The gradation, the definitions and safety measures shall be carefully reviewed and understood before use.

### Gradation and definition of safety measures

#### **DANGER**

Indicates an imminent hazardous situation, which if not avoided, will result in serious injury or death.

#### **WARNING**

Indicates a potentially dangerous situation, which if not avoided, could result in a moderate to a severe injury or death.

#### **ATTENTION**

Indicates a potentially dangerous situation, which if not avoided, could result in a minor to moderate injury or, in damages to the product or to the environment.

#### **IMPORTANT**

Indicates additional precisions on user or maintenance instructions.

---

## Safety measures

#### **IMPORTANT**

Reading and understanding of safety measures included in this manual are required prior to set up, usage and/or maintenance of the bed. Users shall be trained on product usage and knowledgeable of hazards associated with usage of electric beds.

---

#### **DANGER**

- **ELECTRIC SHOCK HAZARD.** Always unplug the power cord and, if applicable, unplug the batteries harness before performing maintenance and/or repairs on the bed. If not avoided, situation could result in severe injury or death.
- **ELECTRIC SHOCK HAZARD.** Use of defibrillator with this product may cause damages to product and/or result in electrical burns. The metallic components of this medical bed can accumulate or channel defibrillator charges and discharge it to any person in close proximity.
- **POSSIBLE FIRE HAZARD.** When using oxygen-administering equipment other than the nasal or mask type, lock the push button controls at the foot end and in the display screen motion controls (if applicable). If not avoided, sparks could occur into actuators and situation could result severe injury or death.
- **DO NOT** use the optional auxiliary power outlets for powering a life-sustaining device.



 **WARNING**

- Grounding reliability can be achieved only when the bed is connected to a supply mains with protective ground or to a hospital grade outlet that is protectively grounded.
- To avoid risk of electric shock hazard, bed must only be connected to a supply mains with protective ground or to a hospital grade outlet that is protectively grounded.
- This bed is designed and intended for usage with a maximum total load of 1060 lb/481 kg, including patient, mattress and accessories. If not avoided, bed functionalities may not work properly and permanent damages to bed may occur.
- This bed is not designed nor intended to be used with patients whose weight is lower than 70 lb/31.8 kg. If not avoided, situation could become hazardous and prevention of patient fall or patient entrapment cannot be ensured.
- The bed exit detection system must be used with patients with minimum weight of 70 lb/31.8 kg. If not avoided, the bed exit detection system may not detect all movements and the functionality could be affected.
- Always ensure that bed is clear of interference with other equipment, obstacles in the room, parts of patient's body or other person prior to any operation of the bed or any configuration of the sleep surface. If not avoided, moderated to severe injuries and/or permanent damages to bed or environment could occur.
- Always ensure precautions are taken when using compatible accessories in foot section accessory sockets. Foot section accessory sockets are attached to the moving part of the frame. If foot section requires to be actuated, accessory will follow the foot section angle and will be tilted or moved away from patient.
- Always ensure proper clearance under the bed prior to use hoists, or other equipment, that slide under the bed. If not avoided, moderated to severe injuries and/or permanent damages to bed or environment could occur.
- Severe patient injuries could result of an improper usage of restraint straps. Healthcare professionals shall ensure proper restraint straps usage, location and adjustment, and ensure bed movements are locked.
- Severe patient injuries could result of bed movement functions operation if patient restraint straps are in usage. Do not operate bed if patient restraint straps are in usage.
- If siderails are used by patient as a grip handle, they shall be used with caution. Abusive usage could result in bed tipping over and could result in moderate to severe injuries and damages to product and/or environment.
- Siderails are not designed nor intended for patient restraint. If not avoided, situation could result in patient injury.
- Do not use siderails to move the bed. If not avoided, situation could result in mechanical damages, which could lead to patient fall. Use headboard or footboard to move the bed.
- CPR release option usage shall be restricted to emergencies. To avoid injuries or product damages, ensure total clearance around product prior to usage.
- To reduce risk of fall and injury when patient is unattended, keep patient sleep surface to the lowest position and siderails raised.
- Always ensure the mattress used on bed complies with specifications of recommended mattresses, or ensure to adapt bed width accordingly. If not, situation could become hazardous for patient fall or patient entrapment.

- Verification and maintenance of bed shall be performed by qualified and trained personnel. Electrical or electronic misconnection could result in shock or fire hazards.
- If electrical equipment is connected to the auxiliary outlet or USB port, ensure that any electrical device introduced within the patient vicinity is not causing electrical interferences. The connected electrical equipment could result in power leads or radiation emitting devices closer to the patient (ex: computer charger, mobile phone) and their interference shall be managed to avoid biased diagnostics (ex: ECG monitors) or limited treatment efficiency (ex: pacemakers).
- The use of accessories, transducers and cables other than those specified, with the exception of transducers and cables sold by the manufacturer of the medical electrical equipment or medical electrical system as replacement parts for internal components, may result in increased emissions or decreased immunity of the medical electrical equipment or medical electrical system.
- The medical electrical equipment or medical electrical system should not be used adjacent to or stacked with other equipment and that if adjacent or stacked use is necessary, the medical electrical equipment or medical electrical system should be observed to verify normal operation in the configuration in which it will be used.



### ATTENTION

- Patient monitoring and patient-authorized bed functionalities are the responsibility of the facility.
- Always ensure to unplug power cord from power outlet prior to move bed. If situation is not avoided, damages to bed and/or to environment could occur.
- Always ensure of power cord proper condition prior to plug it into power outlet.
- Always ensure that when routing cables from other equipment or hoists in the bed, precautions are taken to avoid them from being pinched between parts of the bed.
- Connecting electrical equipment to the auxiliary outlet (optional) effectively leads to creating a medical electrical system, and can result in a reduced level of safety.
- Always ensure proper product clearance in order to reach all the different device controls, boards, accessories and electrical connections. In case of emergency, these systems should be easily reachable to ensure timely procedure.
- Always ensure to unplug any device from the auxiliary outlet (optional) prior to move bed. If situation is not avoided, damages to bed and/or to environment could occur.
- Always unplug battery harness if bed is intended to be stored for 3 months or longer. If not avoided, situation could result in an accelerated deterioration of the batteries.
- Bed, parts and accessories are not designed for a cleaning with usage of a hose, steam or ultrasounds. Do not immerse any part of the bed. If not avoided, situation could result in permanent damages to bed.
- This bed is not designed nor intended for a magnetic resonance imaging use. Use in intended environments only.
- No modification to this equipment is allowed unless it is first approved by the manufacturer, performed by trained personnel, and then inspected and tested to ensure its continued safety.
- If a replacement is required, always use original new parts supplied by manufacturer. If not avoided, situation could generate adverse effects and could affect the warranty.

- The organization responsible for usage and for maintenance of a medical electrical system shall ensure that the equipments connected on the auxiliary power outlet are conforming to the electrical specifications like, but not limited to, power drawn, leakage currents or electromagnetic compliance for electromedical systems (IEC60601-1; 2005).
- At least two person are recommended to move the bed when loaded. If not, minor injuries could occur due to the high strength required to move and manipulate the device.

**IMPORTANT**

Words LEFT and RIGHT used in this manual refer to the left and right sides of the patient while laying on his back.



# GETTING STARTED

---

## IMPORTANT

Bed must be properly installed and verified prior to be put in service. Refer to the list below to ensure proper set up.

---

## Steps list for set up

1. Perform a complete visual inspection of the bed. Contact **Umano Medical** or local representative if there are any damages or missing item.
2. To prevent permanent damages, ensure bed has reached [environmental conditions for use](#) (page 8) prior to plug it. Refer to the section of [technical specifications](#) (page 7).
3. Apply brakes. Try to move the bed to verify if brakes are engaged. Repeat to test all brake pedals.
4. Install headboard and footboard. Ensure not to mix boards with other units, if setting up more than one bed. Boards configuration could be different and a mix up could result in inoperative functions. Ensure there is no obstruction between the connector from the litter and the footboard connectors when installing the footboard.
5. If applicable, install accessories. Refer to [Accessories](#) section (page 53).
6. Plug the bed power cord in a hospital grade power outlet. If applicable, store the remaining of the power cord on the power cord support brackets while keeping clearance in prevision for movement from elevation system. A power supply of 4 to 5 hours is needed to allow bed to reach a minimum battery charge. In case of complete discharge, bed may need a 24-hour plugging for a full recharge.
7. On the footboard, ensure that the green LED beside the power cord pictogram is ON. Test each control of the footboard. If applicable, ensure that the screen does not warn of a required maintenance, and set preferences.
8. If a “bip” can be heard and no functions are working, the bed may detect an important environmental temperature variation. Power cycle the bed by unplugging and plugging main power. Power supply the bed for 10 hours to allow the environmental conditions to reset properly. During that period, only use actuators system when necessary.
9. Raise every siderail and ensure they each lock properly in upper position. Release and lower each siderail to ensure of smooth motion.
10. Test each control press button for both head siderails.
11. Ensure functionality of each LED light and audio indicators.
12. Test the width extension manual handle for proper operation.
13. If applicable, test each control of the back-up control on frame.
14. If applicable, test the CPR emergency release handle: raise backrest section and pull CPR handle located on one side of backrest section. Bed will return in flat position. Repeat to test second handle.
15. If applicable, test the integrated scale system for proper operation and ensure it is within specification.
16. If applicable, connect the nurse call communication system to the bed nurse call connector. Test for proper operation.

17. If applicable, test the room lights functions for proper operation.
18. If applicable, verify following options for proper operation: lateral bed extension, auxiliary power outlets and USB port, nightlights, etc.
19. Install mattress with proper specifications.
20. If bed is equipped with bed exit detection, perform a zero procedure on the bed after all equipment has been installed.

## Zeroing procedures

### **ATTENTION**

- Patient must be out of bed.

### **Zeroing procedure for a bed with scale**

Cancellation of zeroing process can be done at any time by pressing the “Cancel” button.

Procedure:

1. Bed is electrically powered up. Ensure sleep surface is completely flat and put the bed elevation system at intended height of use. Apply the brakes.
2. From the display screen on the footboard, enter the Scale menu.
3. Press the “zero” button.
4. Password may be required, enter password.
5. Follow the instructions; patient out of bed, install all required equipments, accessories and mattress.
6. Press ZERO button on display screen again. **Do not touch bed while this is in progress.**
7. Zero is successful if a confirmation message appears and the display screen returns to “Scale” menu.
8. If failure occurs, a message appears to indicate that weight is unstable. Display screen will stay in Zero menu.
9. Ensure there is no interference and start over the procedure.

# OPERATING INSTRUCTIONS

---

## IMPORTANT

Read and understand all information covered in this manual before operating the equipment. Users shall be knowledgeable about inherent hazards related to use of electric beds.

---

## Power up and modes of operation

The bed is intended to operate while being connected to AC power through a hospital grade wall outlet. The bed offers a battery powered mode as a convenience system to allow bed adjustments while in transit between rooms.



### ATTENTION

- On battery powered mode, speed of movement and battery depletion rate highly depend on the weight charge applied on the bed sleep surface. It is recommended to leave the bed connected at all time when in use. If not followed, the battery may deplete after a few cycles when a significant charge is applied on bed surface; this may lead to internal battery damage when fully depleted.

If the bed operates on batteries, the patient and caregiver controls for bed-motion will remain functional. A lockout on siderail motion control will be saved.

---

#### Powered mode:

Powered mode is activated if the bed is power supplied or if power returns after failure. All bed functionalities will operate if bed is power supplied. If battery level requires recharge, the battery pictogram with integrated LED will be flashing green.

---

Screen sleep mode: Activated after 1 minute of bed inactivity; screen brightness will decrease by half. After 2 minutes of bed inactivity, screen will turn off completely and get in sleep mode. If a screen saver is activated, the information will be displayed while in sleep mode. To get out of sleep mode, press on screen or on screen buttons to access the home screen.

---

**Battery powered mode:** Battery powered mode is activated if power failure occurs or if the bed power cord is unplugged from wall outlet; it will first fall in sleep mode. Under the battery-powered mode, an armed bed exit control system will send a signal to the nurse call communication system to inform of battery-powered mode; no local sound signal will be heard. Only the UP/DOWN press buttons, the Trendelenburg and reverse Trendelenburg press buttons for bed motion and the motion lockout will operate.

**Will not operate:** 30° backrest positioning and vascular positioning, bed exit control or scale system, and display screen. The battery charge level is accessible on the footboard control or on the optional back-up control on frame.

**Low level audible signal:** Two LED sections of battery pictogram lighted. When a movement function is activated, functionalities will operate with a low battery level audible signal.

**Recharge audible signal:** One red LED section of battery pictogram lighted. When a movement function is activated, functionalities will not operate and there will be a constant audible signal.

Bed can be powered down by activating the motion lockouts of the bed from the footboard and by unplugging the bed power cord from the wall outlet. Ensure wall outlet is always accessible.

---



## System signals and messages

The hospital bed model 200-0000 can issue a signal or a message to inform the user that an action is required. It can be visual and/or audible and/or textual if the bed is equipped of the display screen.

### Visual sign

A visual signal may take the form of flashing LEDs on the membrane of the footboard for a bed equipped of a bed exit system. A reset or a component replacement may be required; contact the maintenance department for verification.

If the LED for bed power supply, located on the siderails, is flashing when using a one-touch button, it indicates that the bed must be plugged into the main power supply for usage of this feature.

### Audible sign

An audible signal can be caused by an insufficient level of battery charge; plug the bed into the main power supply.

An audible signal can be issued from the control box situated under the seat section. A verification of connections, a calibration or a component replacement may be required; contact the maintenance department for verification.

### IMPORTANT

If the audible signal is emitted from the buzzer situated in the electrical box at head end of the bed or, through the nurse call system, it indicates that the bed exit system has detected a movement from the patient or, that the patient has pressed the nurse call button. In both cases, the patient requires assistance from a caregiver.

### Textual error message (with display screen option only)

A textual error message can be displayed on the screen located on the footboard. A reset, a verification of connections, a calibration or a component replacement may be required; contact the maintenance department for verification.

## Transporting bed

Unplug cables from wall outlets (power cord, nurse call, communication, etc.), store power cord on support brackets and adjust height of bed for an ergonomic posture before initiating bed transportation. If transporting bed with a patient in the bed, lock siderails up and adjust height of bed at the lowest height while as ergonomic as possible. If bed is equipped with the plastic boards, use the built-in pull and push handles located in the corners of the headboard and footboard. Do not use siderails to move the bed. If not avoided, situation could result in mechanical damages, which could lead to patient fall.



### ATTENTION

- At least two person are recommended to move the bed when loaded. If not, minor injuries could occur due to the high strength required to move and manipulate the device.

## BASE, FRAME AND LITTER

### IMPORTANT

The bed is equipped with base covers at head and foot ends of the bed. Base covers must be kept in place while bed is in use to preserve electrical and mechanical components.

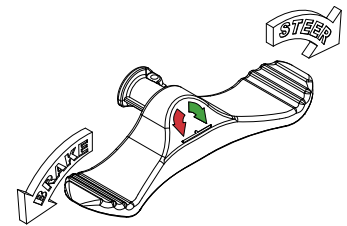
---

### Brake, neutral and steer

Brake, neutral and steer can be activated manually with one of the 4 pedals located at one of each corner of the bed.

#### Engage brakes:

1. To engage, press down completely one of the 4 pedals on the red arrow side.
2. Ensure brakes are engaged.
3. To disengage brakes, lightly press down one of the pedals on the steer side to put in neutral position. Completely press down for steering.



#### Neutral positioning:

1. Bed is in a neutral positioning when pedals at head and foot ends are in flat position.
2. Press down pedal on required side for brake or steer.

#### Engage steer:

1. To engage steer, put pedal in fully lower position on the green arrow side of the foot pedal in lower position.
2. Move the bed on a distance of approximately 2 feet towards desired direction for the steering caster activation. A “click” sound indicates that the caster is locked for steer motion.

### Drainage bag support

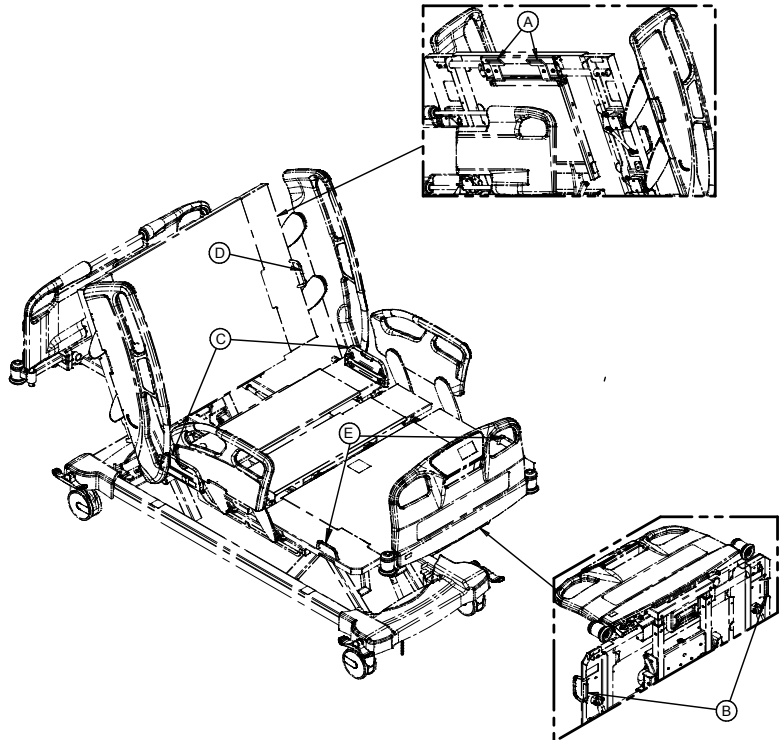
Two drainage bag supports with grooves are located on each side of the bed frame, under the seat section. Refer to [product illustration](#) (page 6) for localization. Weight on the supports will be included to the displayed patient weight if the bed is equipped of the integrated scale.

### Accessory and equipment sockets

Sockets of 3/4" are located in each corner bumper of the bed. At head end of bed, are located two 5/8" sockets, two 1" sockets and two 1 1/2" sockets.

## Patient restraint location

Locations are available for patient restraint straps. Four are located under the mattress surface, two at head end of bed (A) and two at foot end of bed (B). The six mattress retainers can also accommodate for the restraint straps. Two are located on each side of the backrest section (D), two on each side at foot end of the bed (E) and two on each side of the seat section (C). Refer to illustration on the right for localization.



### **! WARNING**

- Severe patient injuries could result of an improper usage of restraint straps. Healthcare professionals shall ensure proper restraint straps usage, location and adjustment.

## Bumpers

Bumpers are located at each corner of bed to preserve wall. Each bumper offers a 3/4" socket to support IV poles.

## Head bumpers (optional)

Two optional bumpers can be installed at head end of the bed for additional protection of the walls.

## Bumpers with side view lights

Bumpers with integrated side view light system are located at both foot end corners of the bed. Foot end bumpers offer a 3/4" socket to support IV poles. The green lights intensity can be controlled if the bed is equipped with display screen; refer to the [footboard control](#) section (page 35). The side view light system will give the status of the bed exit system:

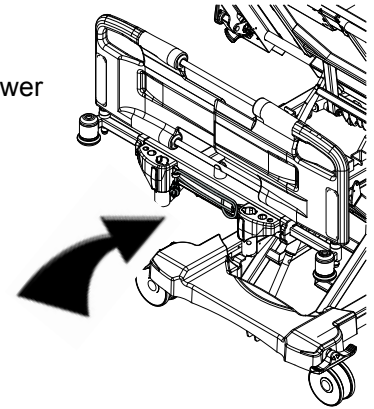
- lights off: bed exit is not in use
- solid green: bed exit is armed
- flashing green: patient has been detected and bed will arm when patient is properly positioned in bed
- flashing amber: bed exit has been triggered or motion interrupt has been triggered (if applicable)
- solid amber: bed exit is in pause mode (if applicable)

### **IMPORTANT**

An audible signal can also be set; see bed exit control system settings in the [Footboard control](#) section (page 35).

## Power cord support brackets

Support brackets are available at the head end of bed (illustrated) to store the power cord during transportation or when not in use.



## CPR release

CPR release handles are located on each side of the bed frame, under the backrest section. Usage shall be limited to emergency situations only. An over usage could lead to mechanical degradation.

### Operation:

1. To activate, pull and hold the CPR release handle to flatten all sections of patient sleep surface.
2. Release handle once surface has reached flat position. If released before surface is completely flattened, all sections will stop retracting.



### WARNING

- CPR release option usage shall be restricted to emergencies. To avoid injuries or product damages, ensure total clearance around product prior to usage.



### ATTENTION

- Usage shall be limited to emergency situations only. An over usage could lead to mechanical degradation.
- If bed operates on battery, the thigh section will not reach flat position.

### IMPORTANT

Thigh section will not reach flat position if master lockout of thigh section or, a movement function of any control is activated during motion.

---

## Nurse call connector

If the bed is equipped with the optional nurse call system, the connector selected when ordered will be located at the head end of the bed, on the frame. The connector is only designed for nurse call function and for room lights control. Communication will be sent through system for a Nurse call initiated by the patient and/or for a bed exit control alarm. Ensure the plug is properly inserted into connector.

## Auxiliary power outlets and USB port (optional)

Optionally, bed can be equipped with 120V or 230V auxiliary power outlets and USB port intended to be used as convenient power source for patient and caregiver use to energize low power devices. Power outlets are limited to 600VA (5A to 120V or 2A to 230V), with protective earth terminal. Both are located on the right side, one at the foot end of the bed, the second under the drainage bag support. The power outlets and USB port will not be functional if bed is unplugged.

### **DANGER**

- DO NOT use the optional auxiliary power outlets for powering a life-sustaining device.

### **WARNING**

- The auxiliary power outlet is limited to 120V 5A or 230V 2A supply. Ensure connected devices are within this rating. High power device or uncertified devices may cause electrical hazards.

### **ATTENTION**

- The organization responsible for usage and for maintenance of a medical electrical system shall ensure that the equipments connected on the auxiliary power outlet are conforming to the electrical specifications like, but not limited to, power drawn, leakage currents or electromagnetic compliance for electromedical systems (IEC60601-1; 2005).
- Ensure proper power supply and proper grounding reliability with the bed power cord connected to a hospital grade outlet. Failure to comply may cause electrical hazards, or result in loss of power to the connected device.
- Do not connect devices in the auxiliary power outlet while their switch is turned ON.
- Do not use extension power cord, or multiple socket outlet, on the auxiliary power outlet.
- The auxiliary power outlets and USB port will not operate if bed is unplugged.

### **Operation:**

1. Ensure that the device required to connect to the auxiliary outlet is at OFF status. Ensure that cord and plug are in proper condition. Failure may result in inadvertent activation of the device connected and related hazards.
2. Ensure the device has a power rating below 5A at 120VAC or 2A at 230V for an AC power plug, or 5V 3.1A for USB plug.
3. Insert completely the AC power plug or the USB plug in the auxiliary outlet. Ensure no simultaneous contacts are made with the surroundings. Failure to comply might result in electrical shocks.
4. Ensure the bed power cord is connected to AC power through a hospital grade outlet.
5. Ensure the device to energize can be turned ON safely. Turn ON and use the device connected to the auxiliary outlet.

## Communication port

Bed can be equipped with a USB communication port intended to be used for software updates and/or bed diagnosis.

### **IMPORTANT**

The communication port will not be functional if bed is unplugged.

---

This communication port shall not be used as a power source for portable devices.

---

## Control on frame

An optional control located on the frame, at the foot end of the bed, offers complementary functions to siderail controls in case the bed footboard is removed;



- lockouts of head or foot section motion
- lockouts of hi-lo
- Trendelenburg
- reverseTrendelenburg
- bed-exit system activation/deactivation
- battery charge level

Do not use a sharp or small pointed object on membranes to avoid permanent damages.

### **IMPORTANT**

Refer to the [footboard control](#) section (page 35) for details on functions and related pictograms.

---

## Nightlights

Two nightlights are located on each side of the bed frame, under the seat section, to illuminate the floor area where the patient will get in or out of the bed. Light intensity can be controlled through the display screen; refer to the [footboard control](#) section (page 35).

## Lateral bed extension

The lateral bed extension allows the user to extend the width of the patient sleep surface from 35" to 47". The functionality is available with the handle under seat section. Usage of lateral mattress extension cushion is required.

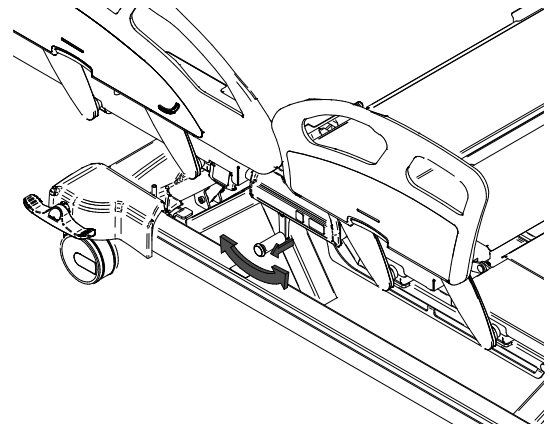
### **WARNING**

- Siderails are designed to prevent patient to inadvertently fall from the bed.
- Ensure there is no obstruction on either side of the bed before using the lateral extension for patient sleep surface. If not avoided, damages to bed and/or to environment could occur.
- Always ensure the mattress used on bed complies with specifications of recommended mattresses, or ensure to adapt bed width accordingly. If not, situation could become hazardous for patient fall or patient entrapment.

The RETRACTION/WIDENING handle offers the possibility to activate all sections of the bed from 35" to 47".

#### To activate:

1. To widen or retract, reach manual handle located under the seat section (illustrated).
  - a. Completely pull the handle from under the seat section. Turn the handle counterclockwise to widen or clockwise to retract the patient sleep surface.
  - b. Once retraction or widening is completed to required width, ensure to store the handle back in place under the seat section.
2. Properly install the appropriate mattress and/or mattress extension for lateral bed extension.
  - a. Ensure that the cushion for extension is properly secured and extension is locked prior to put the bed in service.



### **IMPORTANT**

Remove patient from bed before set up of bed extension or ensure patient is in the center of the bed.

After widening or retracting bed with lateral bed extension, ensure to perform a zero on the bed. Refer to [Zeroing procedures](#) section (page 36).

## HEAD AND FOOT ENDS SIDERAILS

### **WARNING**

- Siderails are designed to prevent patient of inadvertently fall from the bed.
- Siderails are not designed nor intended for patient restraint. If not avoided, situation could result in patient injury.
- If siderails are used by patient as a grip handle, they shall be used with caution. Abusive usage could result in bed tipping over and could result in moderate to severe injuries and damages to product and/or environment
- Do not use siderails to move the bed. If not avoided, situation could result in mechanical damages, which could lead to patient fall. Use headboard or footboard to move the bed.

### Backrest section angle degree indicator

An integrated angle degree indicator is located on the external side of the head siderail and can be used as a reference for patient positioning. Reading from  $-15^{\circ}$  to  $75^{\circ}$ .

### Positioning siderail

Bed is equipped with 2 head siderails and of 2 foot siderails. Each siderail operates with a release handle located at the bottom center.

#### **Raise a foot or head end siderail:**

1. Grasp the upper center of the rail and pull up until it latches into the locked position: a click will be heard.
2. Verify that the siderail release handle displays a green window for a locked status.
3. Ensure that siderails are properly locked; lightly push down the rail at head end to verify it is correctly latched, and perform a head to feet movement with the rail at foot end to verify it is correctly latched.

#### **Lower a foot or head end siderail:**

1. Grasp the upper center of the rail; with second hand, pull the handle up and rotate downward.
2. Siderail will be below the mattress surface. The handle will display a green window for an unlocked but safe status.

### **WARNING**

- If the handle window display is red, the siderail has not reached a patient safe position. Ensure that siderail has completed its motion up or down for the display window to turn green.



## Higher siderails (optional)

The bed can be equipped with the optional higher siderails to allow the use of mattresses up to 8" thick. This option is only available when bed is equipped with the head and foot end siderails.

## Patient mobilization helper (optional)

Bed is equipped with patient mobilization helper which operates with a release handle located at the bottom center of each patient mobilization helper.

### **WARNING**

- Always ensure that patient is capable of proper usage of the patient mobilization helper to prevent patient to slip at foot end and avoid possible injuries caused by patient fall.

### **ATTENTION**

- Patient monitoring and patient-authorized bed functionalities are the responsibility of the facility.

### **IMPORTANT**

A click confirms a patient mobilization helper in locked position.

If applicable, ensure that mattress handles are placed under the mattress and do not interfere with patient mobilization helper mechanism.

### **Raise a patient mobilization helper :**

1. Grasp the upper center of the patient mobilization helper and pull up until it latches into the locked position: a click will be heard.
2. Lightly push down the patient mobilization helper to ensure it is correctly latched.

### **Lower a patient mobilization helper :**

1. Grasp the upper center of the patient mobilization helper; with second hand, pull the handle up and rotate downward.
2. Patient mobilization helper will be below the mattress surface.

## Patient siderail controls

Patient siderail controls are located on the inside of each head siderail. Do not use sharp or small pointed objects on membranes to avoid permanent damages. Pictograms inform the user of positioning possibilities and features.

### ATTENTION

- If the siderail pads accessories are installed on the head end siderails, ensure to properly lock the patient siderails controls. If not avoided, the hidden controls can still function and the bed's sleep surface adjustment can be modified if the motion controls are inadvertently activated. Refer to the [Footboard configuration with display](#) in the [Headboard and footboard](#) section for the lockout procedure (page 36).

### IMPORTANT

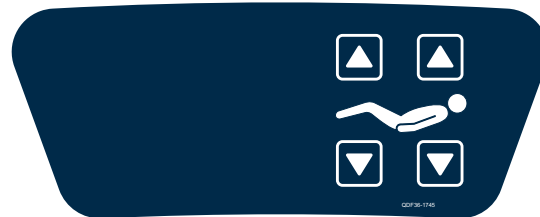
Refer to the [pictograms and definitions](#) section (page 11) to support identification.

#### Standard configuration

The UP/DOWN press buttons offer motion of backrest section from 0 degree to 60 degrees. The UP/DOWN press buttons offer motion of thigh and foot sections. Motion can be simultaneous.

To activate:

1. Press and hold button.
2. Release button when the required position is reached.



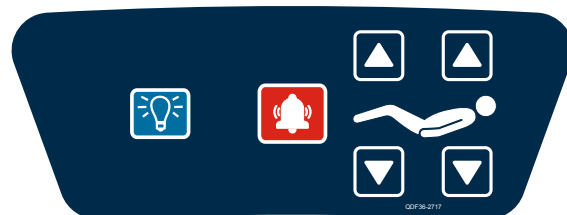
STANDARD CONFIGURATION ILLUSTRATED

#### Patient control with optional features

In addition of standard configuration, press buttons offer back lighted patient controls, possibility for the patient to turn ON or OFF the nightlights and possibility for the patient to send a call to the nurse station.

To use optional features:

- Press the light bulb button to turn ON back lighted controls. Press again to turn OFF.
- Press nurse call button to send signal to nurse call communication system and station. Nurse call button pictogram may be represented by a white cross on red background or by a white bell on red background. Refer to [Pictograms and definition](#) (page 11) section.

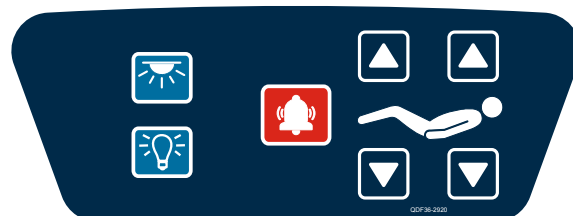


OPTIONAL FEATURES ILLUSTRATED

Another patient control configuration offers, in addition to the optional features, a press button for control of the room lights.

To use optional feature:

- Press the ceiling light pictogram to turn ON the room lights. Press again to turn OFF.



OPTIONAL FEATURES ILLUSTRATED

## Caregiver siderail controls

Caregiver siderail controls are located on the outside of each head siderail. Do not use sharp or small pointed objects on membranes to avoid permanent damages. Pictogram informs the user of positioning possibilities and features.

### IMPORTANT

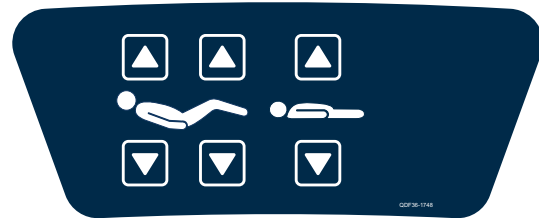
Refer to the [pictograms and definitions](#) section (page 11) to support identification.

### Standard configuration

The UP/DOWN press buttons offer motion of backrest section from 0° to 60°, motion of thigh and foot sections simultaneously and elevation system in a height range from 11" to 30", depending on caster option.

To activate:

1. Press and hold button.
2. Release button when the required position is reached.



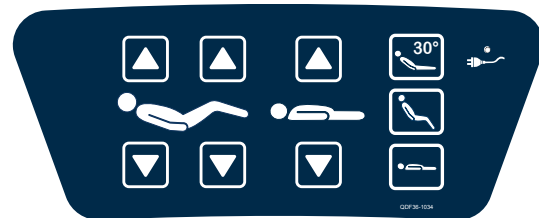
STANDARD CONFIGURATION ILLUSTRATED

### Caregiver control with optional features

In addition of standard configuration, press buttons offer one touch positioning for a 30° of backrest section, chair position and flat surface. A LED indicator ON indicates that the bed is power supplied.

To use optional features:

- Press and hold the button for a 30° angle of Backrest section.
- Press and hold the button for the chair-position positioning.
- Press and hold button to flatten patient sleep surface.



OPTIONAL FEATURES ILLUSTRATED

### IMPORTANT

Buttons for 30° backrest positioning and vascular positioning will not operate if bed is unplugged.

## Patient control (optional)

Patient control can be used to allow patient or healthcare personnel to activate certain bed functions. Do not use sharp or small pointed objects on membranes to avoid permanent damages. Pictograms inform the user of positioning possibilities and features. Patient control can be plugged in “MJB” junction box; refer to section [Removable patient control 2 functions](#) (page 67) for plugging instructions.

### IMPORTANT

Refer to the [pictograms and definitions](#) section (page 11) to support identification.

---

The control lock from the footboard control will lock the functions of the patient control.

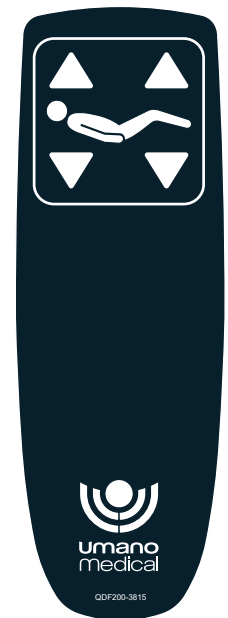
---

### 2 functions removable patient control (optional)

The UP/DOWN press buttons offer motion of backrest section from 0 degree to 60 degrees. The UP/DOWN press buttons offer motion of thigh and foot sections. Motion are simultaneous.

To activate:

1. Press and hold button.
2. Release button when the required position is reached.
3. Store and clip patient control on siderail upper tube.



# HEADBOARD AND FOOTBOARD

## Built-in transport handles

Headboard and footboard are both equipped of built-in pull-push handles to ease transportation.

## Headboard

The headboard will extend or retract with the bed width adjustments. Ensure the headboard is installed on proper side as marked. Reverse position would make gaps wider and could result in increased risk of patient entrapment. Refer to labeling on headboard if required.

## Integrated pump holder

An integrated pump holder is located in the center of the footboard. Ensure the device is secured and properly installed.

## Footboard control

Footboard control is located on the board at the food end of the bed. Do not use sharp or small pointed objects on membranes to avoid permanent damages. Pictograms inform the user of positioning possibilities and features.

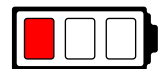
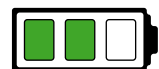
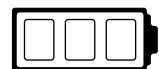
### IMPORTANT

Refer to the [pictograms and definitions](#) section (page 11) to support identification.

### Power up and battery charge level

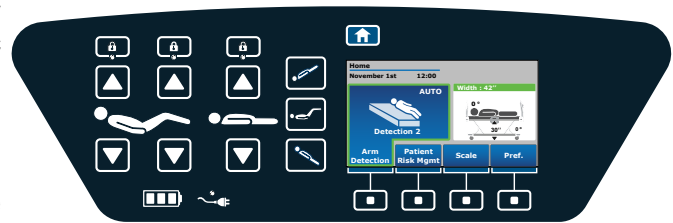
If bed operates on battery, after 2 minutes of non-motion, the sleep mode will activate to save energy; all LED indicators will turn off, power cord LED indicator will be off. The battery charge level is given by the battery pictogram with integrated LED.

- No LED section ON, bed is plugged and power supplied: battery is fully charged.
- 3 LED sections flashing green, bed is plugged and power supplied: battery charging, all functions can operate.
- 3 LED sections solid green, bed is unplugged: battery fully charged - only bed motions will operate.
- 2 LED sections solid green, bed is unplugged: battery level decreased - only bed motions will operate, beep at activation.
- 1 LED section solid red, bed is unplugged: battery level is low - none of bed functions will operate, constant beep signal at activation.



## Footboard control with display screen

Blue buttons are associated with actions whereas grey buttons are not and cannot be selected in that specific screen. Refer to the [pictograms and definitions](#) section (page 11) if required. The information section is displayed in white, when applicable, on left side.



Bed motion lockout to the siderails controls can be set with one of the 3 closed padlock pictogram press buttons with integrated LED. A solid amber LED ON indicates that bed motion illustrated below is locked in the siderails, the bed motions can still be activated from the footboard controls. To unlock motion, press the button displaying the amber LED ON.

The UP/DOWN press buttons offer motion of backrest section from 0° to 60°, motion of thigh and foot sections simultaneously and elevation system in a height range from 11" to 30". Press buttons offer one-touch positioning for:

- a 16° Trendelenburg position and -16° reverse Trendelenburg position
- vascular foot position
- selection of audio signal level
- selection of audio signal type
- selection of bed exit control level of detection for Detection 1, Detection 2 or Detection 3
- auto-arm for bed exit control system

To activate:

1. Press and hold button.
2. Release button when the required position is reached.

### IMPORTANT

If deactivated in Factory settings, total lockout, when activated through the display screen, will not operate if bed is on battery mode or if footboard is removed. Ensure that the proper settings according to the patient's condition are in place. If activated in Factory settings menu, total lockout will remain operational even on battery mode.

Screen will fall in sleep mode when not in use and will display a screen saver if configured. Refer to the [Power up and modes of operation](#) section (page 21) for sleep mode details; refer to [Inform Settings](#) section (page 43) for screen saver details.

## Home screen with integrated scale

Screen informs the user of the height and the angulations of patient sleep surface. User can return to the Home screen menu at any time by pressing on the Home pictogram.

### IMPORTANT

The bed height is rounded up.

The angulations accuracy of backrest section is +/- 2 °.

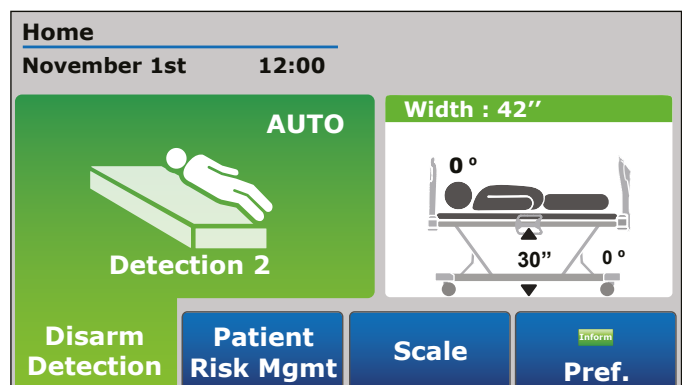
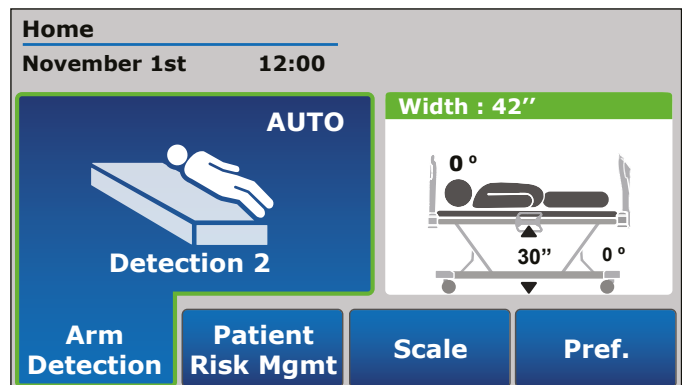
The angulations accuracy of Trendelenburg and reverse-Trendelenburg is +/- 2 °.

A simplified interface displaying less options is offered for a simplified use. It is possible to change the interface through the Preference menu in the Maintenance menu. On the Standard interface, the Auto Arm button and the Inform button are not displayed. If PIN protected, contact maintenance for access.

A password can be requested when screen is activated after sleep mode.

Select:

- Arm (Disarm)** to arm or disarm the bed exit control system. The pictogram on the button informs of the pre-selected detection level. Press the ARM button to arm the Bed exit control system. Screen will return to the Home screen button and button header will change to disarm. Menu display, if patient is in bed or Auto arm is set; it will turn green to indicate the bed exit control is activated. If the patient is not in bed or Auto mode is not set, the menu display will turn flashing orange, in alarm. If bed is equipped of bumpers with side view lights, they will turn ON, solid green or will be flashing orange. If the bed exit control is triggered, the pre-set tone and volume will activate. Press the button associated with Disarm to deactivate the alarm or bed exit control. Refer to the [Patient risk management screen](#) menu section (page 40) for Auto setting, selection of levels of detection, and setting of volume and tone.
- Auto Arm** to arm automatically the bed exit detection when patient ingresses in bed. If user selected the standard interface, the Auto Arm button is not displayed on the home screen.
- Patient Risk Management** to access selection of levels of detection for bed exit control, volume and tone settings, view log, auto arm bed exit system, Inform menus, or extension risk menu for selection of bed width configuration and extension width alarm settings.
- Preference** to set date, time, language, nightlight brightness (optional), screen brightness, sideview lights brightness or, access the maintenance.
- Scale** to access the integrated scale system menu.



- **Auto Arm in Arm Detection** to arm automatically the bed exit detection when patient ingresses in bed. If user selected the standard interface, the Auto Arm button is not displayed on the home screen.

Configuration steps:

1. From the Home screen, press the Arm Detection button.
2. Select appropriate answer to the prompt question message box in order to arm or disarm the Auto Arm detection option.
3. When selecting the Auto Arm option, AUTO will appear on the upper right corner of the Arm Detection button on the screen.
4. When Auto Arm is activated and patient is detected in bed, a message box will appear to indicate that the patient has 60 seconds to settle in bed before the bed exit is armed automatically. If patient is not settled after 60 seconds or if patient gets out of bed before 60 sec. is over, bed exit detection system will fall in alarm.





## Care Pause

When the bed exit detection is armed, press the Disarm Detection button to apply a Care Pause and give the caregiver 5 minutes to provide any care to the patient without disactivating the bed exit system and without generating a bed exit detection audible sign. The detection button on the screen will turn orange and the time left for the pause will appear. If applicable, the sideview lights bumpers will turn solid orange for the duration of the pause.

Select:

- **Care Pause** to apply a 5 minutes pause to the armed bed exit detection.
- **Cancel** to return to the Home screen.

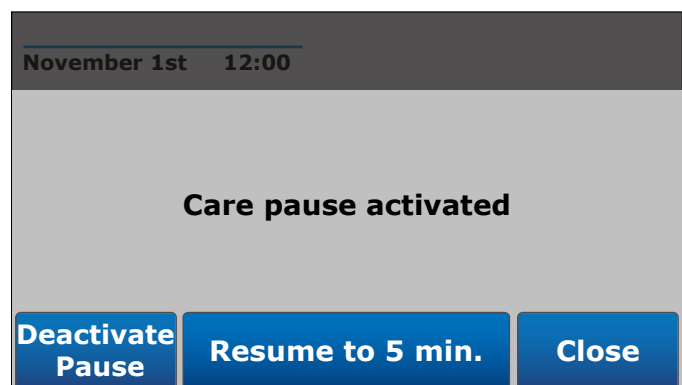
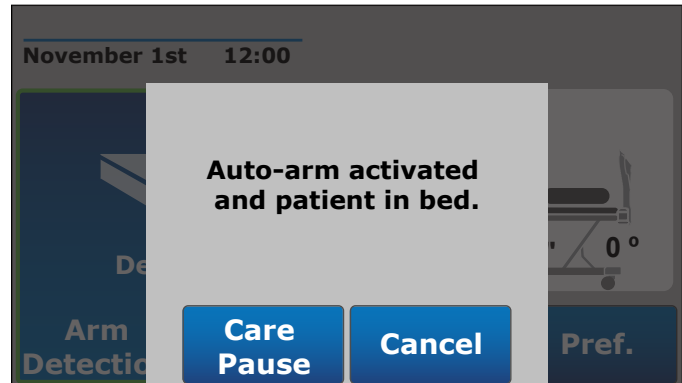
Anytime during the pause, the time can be resumed to 5 minutes if needed. When 30 seconds remain, an audible sound will be heard and the time left will be displayed and flashing in the screen. When only 10 seconds remain, another audible sound will be heard.

Select:

- **Deactivate Pause** to deactivate the pause completely.
- **Resume to 5 min.** to reset the time to a total of 5 minutes.
- **Close** to keep the remaining time the same and to return to the Home Screen.

When Auto Arm is activated and the pause finishes, the system will start the auto detection. When detected, the patient has 60 seconds to settle in the bed before the bed exit is armed automatically.

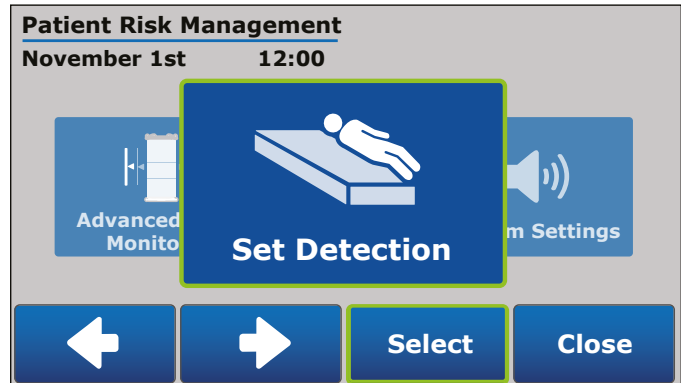
When auto-arm is activated and bed is in alarm while patient is still in bed, press the Disarm Detection button to stop the alarm. The system will automatically apply a one-minute pause to the auto-arm to allow the caregiver to attend to the patient. Press on the Detection button to apply a 5-minute care pause if needed. If time runs out after one minute, the bed automatically returns to the auto-arm mode. Refer to the [Home screen with integrated scale](#) section (page 37).



**Patient risk management screen for bed with scale**

Navigate and select:

- **Set Detection** to access the bed exit detection settings. The displayed pictogram informs of the pre-selected detection level.
- **Alarm Settings** to access the volume range and the tone selection.
- **Log** to access the patient risk management log.
- **Turn Reminder** to set a turn reminder notification. A nurse call alarm can be configured to be activated on the bed only or to be sent to the nurse station.
- **Inform** to set up a screen saver configured to inform caregivers with color coding and/or different pictograms from the Pictograms library menu and/or siderail configuration requirements based on patient condition.
- **Width monitoring** to set bed width configuration, extension width alarm settings and an alarm to the nurse call station.
- **Close** to exit menu.



**IMPORTANT**

A simplified interface displaying less options is offered for a simplified use. It is possible to change the interface through the Preference menu, and then through the Maintenance menu. On the Standard interface, the Auto Arm button, the Turn reminder button and the Inform button are not displayed. If PIN protected, contact maintenance for access.

In the Home screen, the Preference box displays the symbol for Lockout and the Inform pictogram if selections made in Inform. The Preference menu offers short cuts to get to Inform or to Lockouts screen menus.

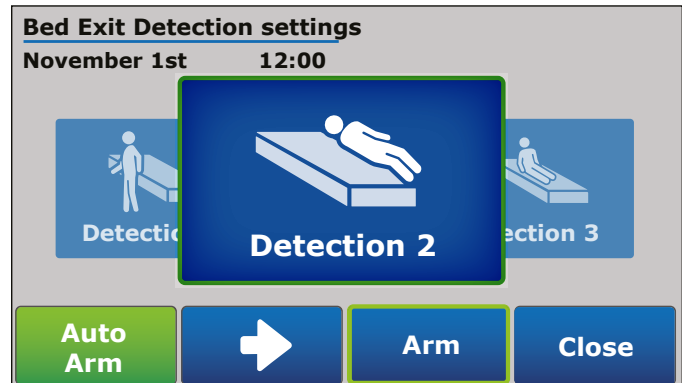
Depending on configuration selected when ordered, bed's display presentation on the screen may vary.

### Set Detection screen menu

The displayed pictogram informs of the pre-selected detection level. The ARM button will change to DISARM if the bed exit control system is activated.

Select:

- **Detection 1** to change level of detection to a patient out-of-bed. Press ARM to set. Press DISARM to deactivate the bed exit control system. Press CLOSE to exit menu.
- **Detection 2** to change level of detection to a patient attempting to get out of bed. Press ARM to set. Press DISARM to deactivate the bed exit control system. Press CLOSE to exit menu.
- **Detection 3** to change level of detection to a patient movement in bed. Press ARM to set. Press DISARM to deactivate the bed exit control system. Press CLOSE to exit menu.
- **Auto Arm** to activate or deactivate the bed exit detection when patient ingresses in bed. Auto arm button turns green when activated and AUTO displays on Arm/Disarm button in Home screen.
- **Arm/Disarm/Select** to arm or disarm the bed exit control system for the highlighted detection level or, change the detection level.
- **Care Pause** to activate a 5-minute pause on a bed exit detection when the Auto Arm is activated.



### Alarm Settings screen

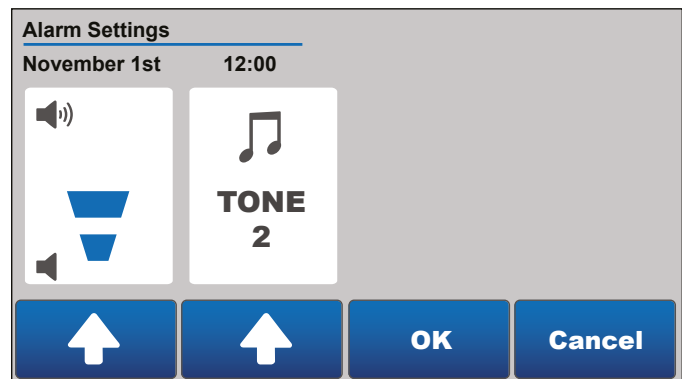
The Alarm Settings screen menu offers a selection of volume levels and selection of different tones. Navigation with arrows will demonstrate the volume level or tone if volume is not muted.

Navigate and select:

- **Volume level** between ranges of 4 volume levels including mute.
- **Tone selection** between a ranges of 10 different tones.

Select:

- **OK** to set Alarm settings
- **CANCEL** to cancel command and return to the Patient Risk Management screen.

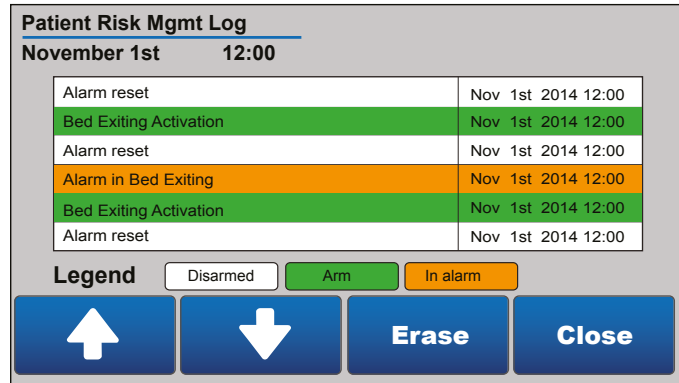


**Patient risk management log screen**

The Patient risk management log offers a log listing up to 100 entries related to activation and deactivation of features. Entries related to bed exit control are highlighted in green to indicate activation and highlighted in orange to indicate an alarm. Log displays the description, date and time of the activity.

Select:

- **UP/DOWN arrows** to scroll up or down the log.
- **ERASE** to erase log entries. This activity can be protected by a password through the Maintenance menu (tools pictogram). Press YES to erase log; press NO to return to the Patient risk management log screen.
- **CLOSE** to return to the Patient Risk Management screen.

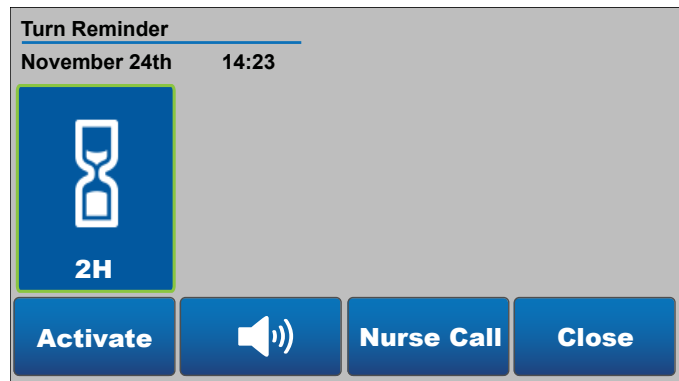


**Turn Reminder**

The Turn Reminder offers to activate a patient turn reminder notification. A delay of 2 hours can be activated. An audible signal with configurable tones and volume levels indicates when time has ended. Press on "Patient turned" once patient is positioned; set a new delay of 2 hours for turn reminder. The remaining time will appear on screen saver and Home screen.

Select:

- **Activate/deactivate** to activate or disable the turn reminder notification.
- **Loudspeaker pictogram** to select the tone and set the volume level of the alarm.
- **Nurse Call** to activate or deactivate an alarm to the nurse station.
- **Close** to return to the Patient risk management screen menu.



## Inform Settings screen

The Inform Settings menu offers the possibility to set a screen saver with display of the different pictograms selected from the Pictograms library to inform caregivers of patient condition and predisposition to fall, and/or display of required siderails configuration. The screen also offers the possibility to set a color-coding with 1, 2 or 3 different colors.

If pictograms from the Pictograms library are selected, an Inform pictogram will display in the upper right corner of the display screen and will also display on the Preference button.

### IMPORTANT

In the Home screen, the Preference box displays the symbols related to the selection. Once selected, the Preference menu offers short cuts to get to Inform, to Active Errors or to Lockouts screen menus.

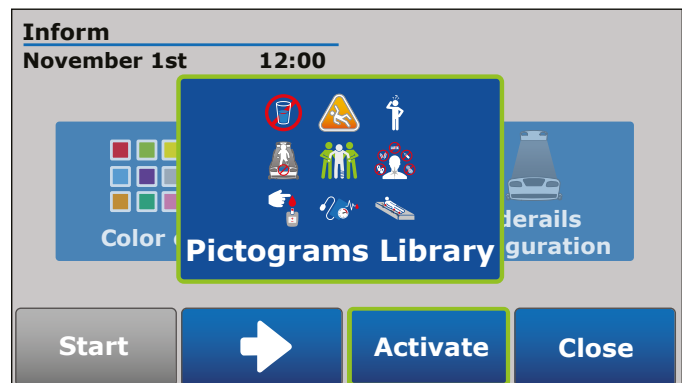
If selected, the different pictograms from the Pictograms library, the siderails configuration and the color coding will display on the screen saver after two minutes of inactivity.

Select:

- **Start** to display the screen saver with selected settings.
- **Activate/Disable** to activate or disable the display on screen saver, or to disable the feature associated with the above the button.
- **Close** to save settings and exit menu. Screen saver will activate after 2 minutes of inactivity.

Navigate and select:

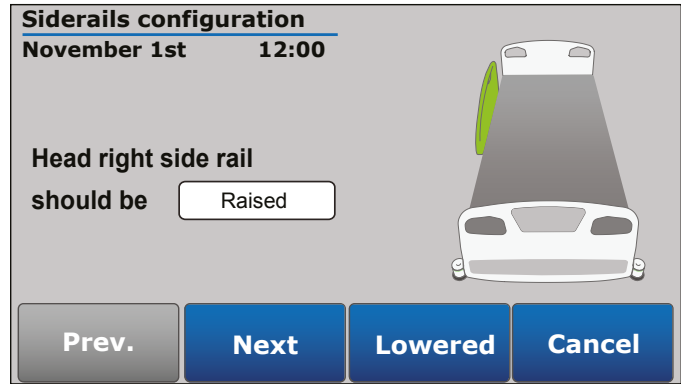
- **Pictograms library** to add a visual indicator related to patient's condition and to set screen saver with display of pictogram: can not drink liquids, patient risk, confusion, do not change bed configuration, two person required to move patient, allergies, blood sugar level, blood pressure, pressure ulcers and no visitors allowed. Background of button will turn green once one or more are activated. The Inform pictogram also displays in the upper right corner of the display screen to inform caregivers that indicators related to patient's condition have been activated. A description of each of the pictograms from the library can be displayed on the screen saver, if selected. Answer to the prompt question message box to confirm or cancel.



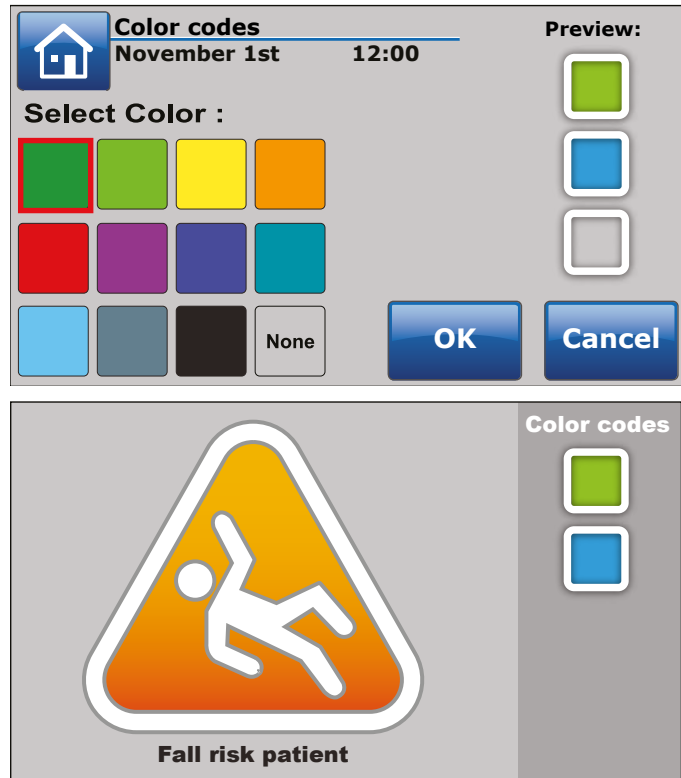
- **Siderails configuration pictogram** to set screen saver with display of required siderails configuration on pictogram displayed on screen saver. Background of button will turn green once activated.

Configuration steps:

1. From the Inform menu, press the siderails configuration pictogram.
2. Select appropriate answer to the prompt question message box in order to keep, or not, the configuration that was previously set up. YES will take you to Inform menu and NO will bring back to the configuration options.
3. When setting up the siderails configuration, the options chosen will appear on the bed image on the screen.
4. Once all indications are given, prompt question message box opens to confirm or cancel. Press Prev. to return to the siderails configuration screen.



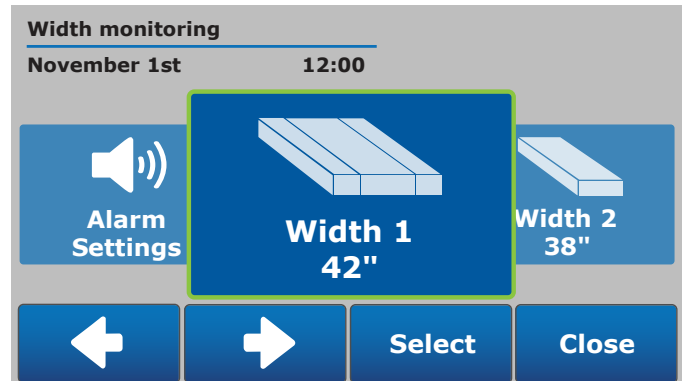
- **Color chart button** to get to the Color codes screen, select 1, 2 or 3 colors, and to display selected colors on the screen saver.



## Width monitoring screen

Select:

- **Select/Disable** to select a preset configuration or to disable the selected configuration in order to monitor or stop monitoring the width of the bed.
- **Width 1, 2 or 3** to select the width configuration that requires monitoring.
- **Current width** to set and activate the current width of the bed as the required configuration.
- **Alarm settings** to set the volume level and tone selection of the alarm for the width extension configuration.
- **Nurse call** to activate or deactivate an alarm to the nurse station.
- **Close** to return to Patient risk management screen menu.



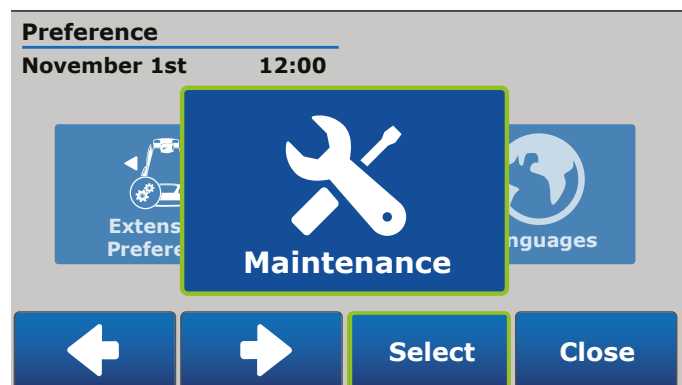
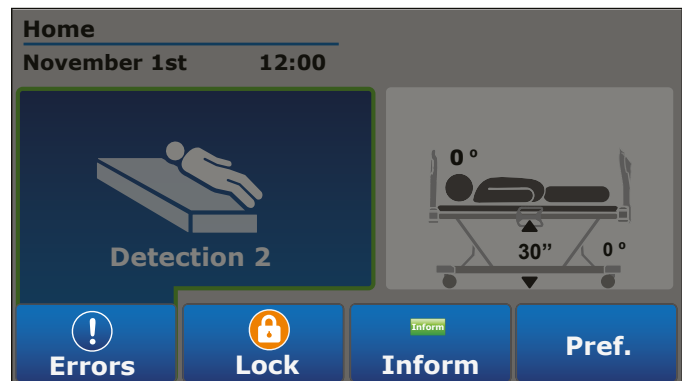
## Preference screen

If applicable, a short cut to Errors log will be prompted. If pre-set, a short cut to Lock of motion and to Inform will be prompted. Other preferences settings are accessible under Pref.

Use button associated with Close to exit menu. Use buttons associated with arrows to navigate the menu selection and use button associated with Select to select a menu.

Select:

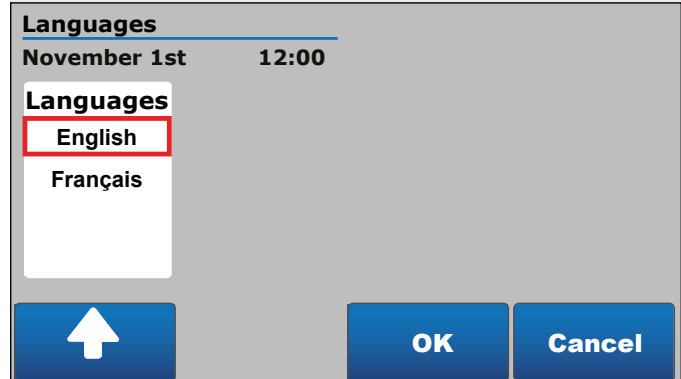
- **Maintenance** to access the errors log, load cell values, units selection, calibration, factory settings, software version, password settings and interface settings. If PIN protected, contact maintenance for access or refer to Maintenance Manual for instructions.
- **Languages** to select the language of internal communication.
- **Lights configuration** to set screen brightness, nightlights brightness (optional) and sideview lights brightness.
- **Date/Time** to set date and time.
- **ID** to give an identification label to the bed.
- **Lock** to activate lockouts of bed motion on the bed.
- **Min. height adjustment** to set or adjust the lowest height the bed can reach.
- **Auto-contour** to activate or deactivate the auto-contour function.
- **Width configuration** to set the lateral extension width of the patient sleep surface for configuration with mattress only and with one or two lateral mattress extensions.



**Language screen**

Select:

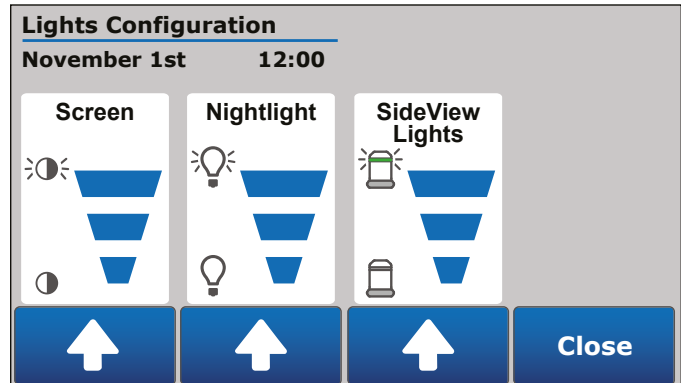
- **Cancel** to cancel command and return to preference menu.
- **Arrow upward** to set select language.
- **OK** to confirm selection and return to Preference menu.



**Lights configuration screen (optional)**

Select:

- **UP arrow** for Screen brightness and select one of four levels of intensity.
- **UP arrow** for Nightlight brightness and select one of three levels of intensity or set to OFF.
- **UP arrow** for Sideview lights brightness and select one of three levels of intensity or set to OFF.
- **Close** to exit lights configuration menu and return to preference menu.

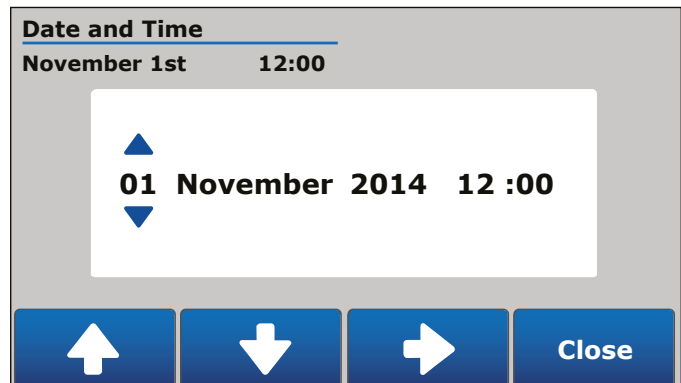


**Date/time screen**

By default, the Date and Hour buttons are flashing and are pre-selected for editing.

Select:

- **UP/DOWN arrows** to edit, increase or decrease the date, month, year or time.
- **Arrow to the right** to navigate to the right.
- **Close** to exit menu. Confirm to save changes if applicable.





## Identification screen

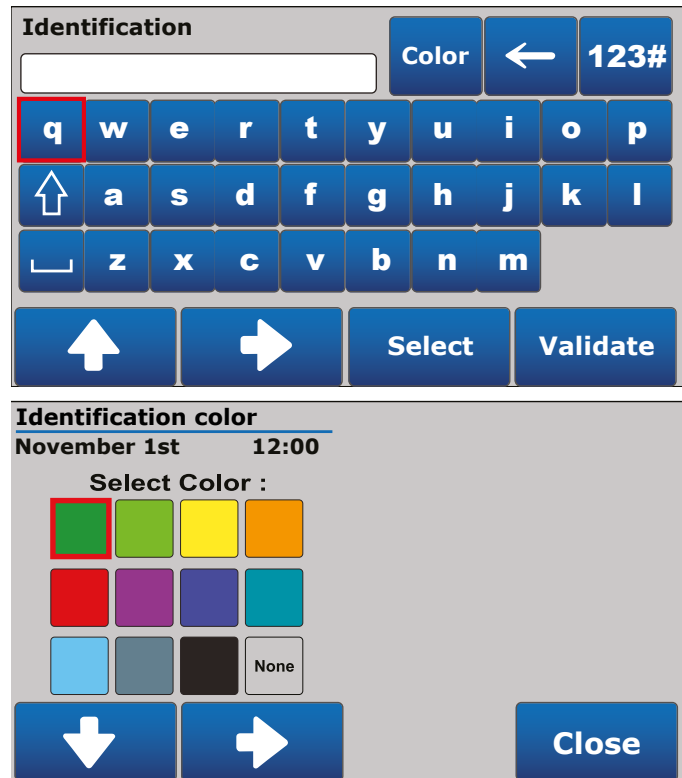
Use the ID feature in the Identification screen to label the equipment with a color code and text. The label will display over the date and time in the Home screen. A maximum of 20 digits can be entered as a text label.

Select:

- **Arrow upward/to the right** to navigate the keyboard or color selection.
- **Select** to set text entry and color selection as a bed identification.
- **Validate** to save, or not, the changes and return to the Preference screen.

Navigate and select:

- **Color** to get to the Identification color screen. Select one color to give a colored label to the display screen, or select None. Select Close to save, or not; return to the Identification screen.
- **Keyboard arrow to the left** to go backspace in the text window.
- **Keyboard arrow upward** to switch from lowercase letters to uppercase letters.
- **123#** to get from the alphabetical keyboard to the numbers and special characters keyboard.
- **ABC** to get from the numbers and special characters to the alphabetical keyboard.

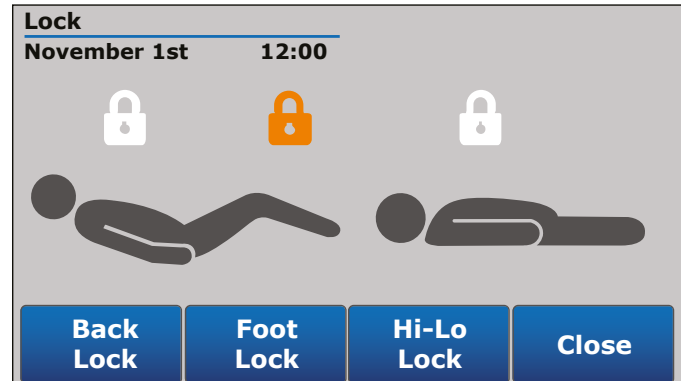


### Lock screen

The Lock screen offers activation of a total lockout for motion of backrest section, knee gatch and/or Hi-Lo. Total lockout activation also displays an orange padlock on the Preference box in the display screen to inform caregivers.

Select:

- **Back Lock** for activation of lockout for motion of backrest section.
- **Foot Lock** for activation of lockout for motion of knee gatch section.
- **Hi-Lo Lock** for activation of lockout for motion of Hi-Lo section.
- **Close** to confirm save of settings and return to Preference screen.



### IMPORTANT

If deactivated in Factory settings menu, total lockout, when activated through the display screen, will not operate if bed is on battery mode or if footboard is removed. Ensure that the proper settings according to the patient's condition are in place. If activated in Factory settings menu, total lockout will remain operational even on battery mode.

### Min. Height Adjustment

The minimum height adjustment screen offers to set minimum bed height depending on the needs of the caregiver or of the patient. When the bed's lowest height is reached, a "min. height" indication will appear on the Home Screen.

Select:

- **UP/DOWN arrows** to navigate and select the minimum height of the bed.
- **OK** to confirm selection and return to Preference screen menu. This activity can be protected by a password through the Maintenance menu.
- **Cancel** to cancel command and return to Preference screen menu.

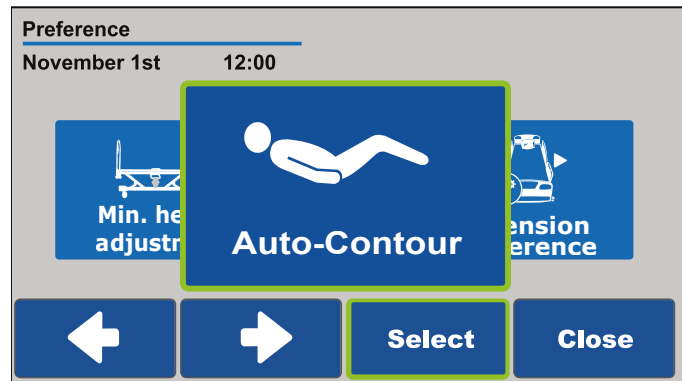


## Auto-contour

The auto-contour of the sleep surface offers the possibility to synchronize the movements of the head section and thigh section. When the head section is activated, the thigh section will follow the same movement. This feature can be activated or deactivated through the display screen, in the Preference menu. Background of the auto-contour button will turn green when feature is activated; a blue background indicates the feature is deactivated.

Select:

- **Auto-contour** for activation or deactivation of the auto-contour feature. A prompt question message box will appear; answer YES to change the auto-contour settings, answer NO to cancel and return to Preference menu.

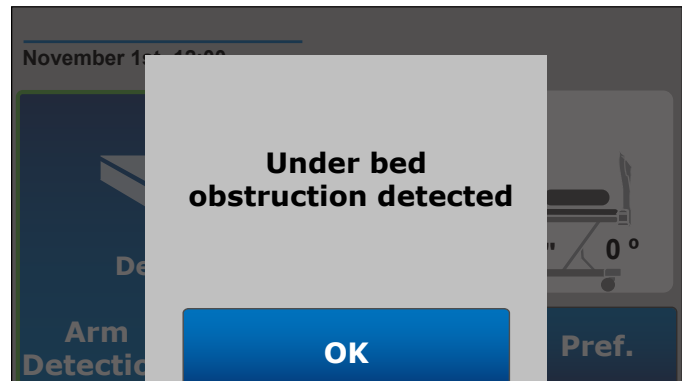


## Motion interrupt (optional)

The motion interrupt system offers the possibility to interrupt a downward motion from the bed elevation system when an obstacle is found under the bed to prevent damages and/or hazards. If applicable, a message will appear in the display screen to indicate that an obstruction has been detected. The sideview lights will also be flashing orange if obstruction is detected when bed is being lowered.

Select:

- **OK** to confirm that the obstruction under the bed has been resolved and that motion of bed elevation system can resume.



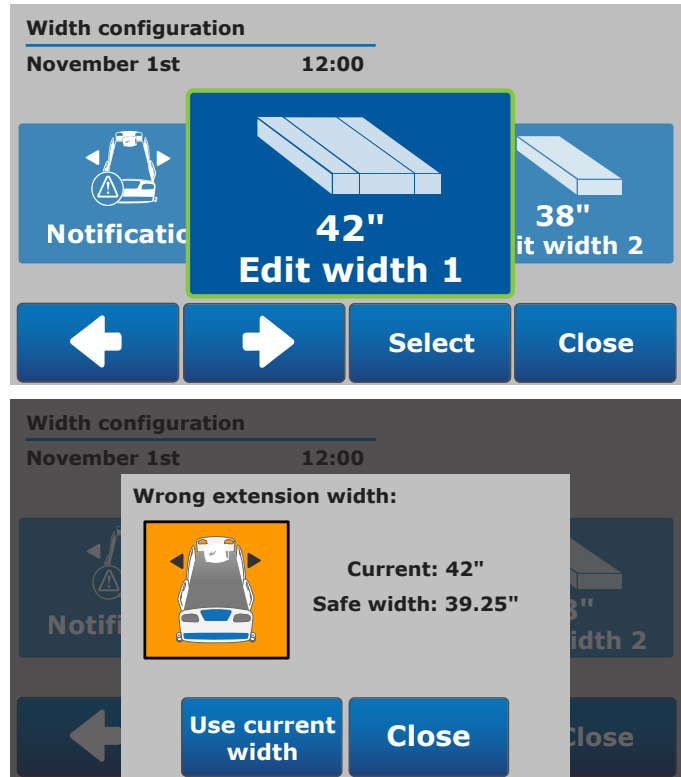
**Width configuration screen**

Select:

- **Edit width 1, 2 and 3** to preset the width of the patient sleep surface for a configuration with only mattress, with one lateral mattress extension or with two lateral mattress extensions; refer to Edit configuration screen.
- **Current width** to allow the possibility for user to select the current width of the bed as configuration.
- **Notification** to activate or disable notification when bed configuration is not at the selected preset width. If bed detects a wrong width configuration, a prompt message box will appear indicating the current width of the bed and the safe width to use. Select "Use current width" to modify the configuration to the current bed width; select CLOSE to close the notification window.

If after 1 minute the bed is still not at the right selected preset width, the notification will return.

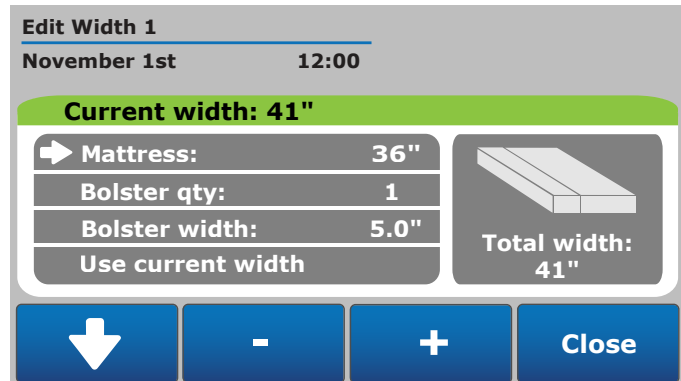
- **Close** to return to Preference screen.



**Edit width screen**

Select:

- **DOWN arrow** to navigate through the different features to preset.
- **+/-** to increase or decrease the mattress size, the number of bolsters, the size of the bolsters and to activate the use of the bed's current width as the configuration.
- **Save** to return to the Width settings screen. A prompt question message box will appear to confirm the changes; press YES to save the configuration changes, press NO to cancel.



### Scale screen

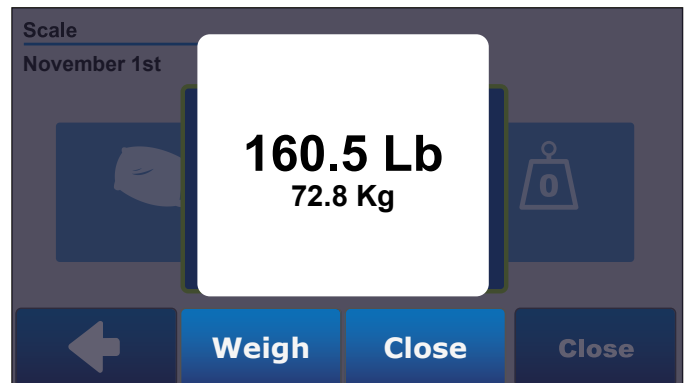
For proper use of scale related features, ensure bed is not interfering with any item of the environment or in contact with wall. Do not touch bed.

Select:

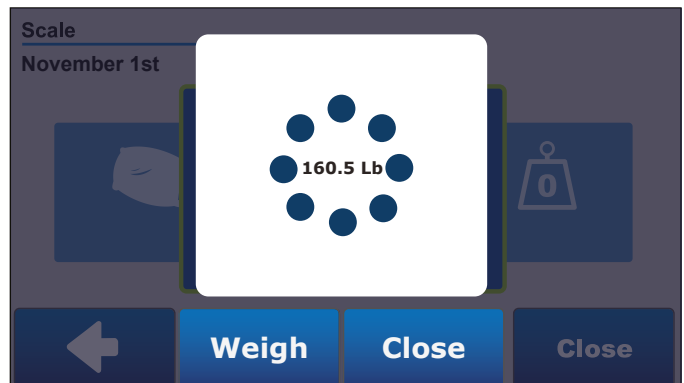
- **Weigh** to display and log patient weight.
- **Zero** to “zero” the scale settings. Menu mentions that patient shall not be in bed and to install equipment if appropriate prior to start. Press ZERO to proceed; message box mentions not to touch bed while zeroing, or press CANCEL to cancel command.
- **Weight log** to access the weight log and read patient logged weight.
- **Change equipment** to add or remove equipment on bed. Message box mentions not to touch bed during weight, then to press OK when equipment is added or removed. Press CANCEL to cancel command.

If weight on bed is more than 489.8 kg, an "overload" mention will be displayed instead of the weight when "Weigh" button is selected.

When annual calibration is required, the weight is displayed but a "calibration required" error is logged and displayed in the scale menu.



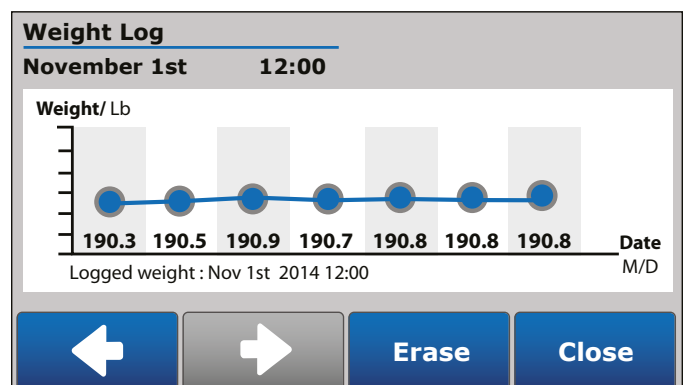
STABLE WEIGHT ILLUSTRATED



UNSTABLE WEIGHT ILLUSTRATED

### Weight Log screen

The Weight Log screen informs of patient logged weight and records up to 20 entries. Use arrows to navigate and read from oldest to most recent entry. Erase Weight Log entries by selecting ERASE. This activity can be protected by a password through the Maintenance menu. Confirm intention to erase, or cancel command by selecting NO. Select CLOSE to return to Scale screen.

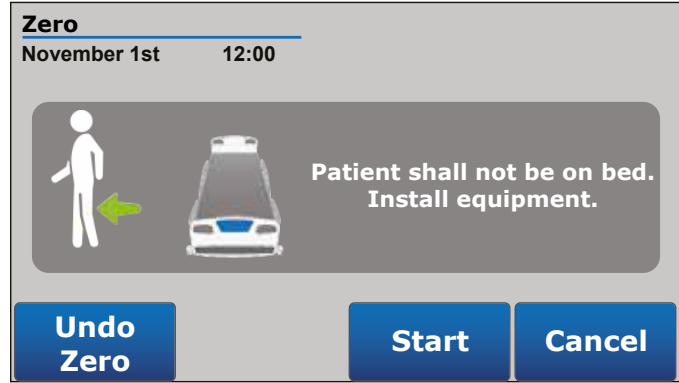


**Zero screen**

A zero can be performed on the bed through the Zero screen.

Select:

- **Start** to perform the zero on the bed. Ensure the patient is not on the bed before performing the zero.
- **Cancel** to return to the Scale screen.
- **Undo Zero** to access and select a previously performed zero.



**Undo Zero screen**

The Undo Zero screen offers the caregiver the possibility to return to a previous zero in the event a zero is mistakenly performed. The last 4 zeros are recorded with the date on which they were performed and can be selected.

Select:

- **UP/DOWN arrows** to navigate through the four displayed zeros.
- **Apply Zero** to select and apply one of the 4 last zeros to the bed. Answer to the prompt question message box to confirm. Once the zero is applied to the bed, the screen will automatically return to Scale screen.
- **Close** to return to Zero screen.



# ACCESSORIES

---



## **WARNING**

- Always ensure precautions are taken when using compatible accessories in foot section accessory sockets. Foot section accessory sockets are attached to the moving part of the frame. If foot section requires to be actuated, accessory will follow the foot section angle and will be tilted or moved away from patient.

## Siderail pads - DM64515 and DM64516

Siderail pads DM64515 and DM64516 can be used on the siderails to add protection for the patient or to help avoid inappropriate intentional or unintentional usage by the patient towards oneself.

### ATTENTION

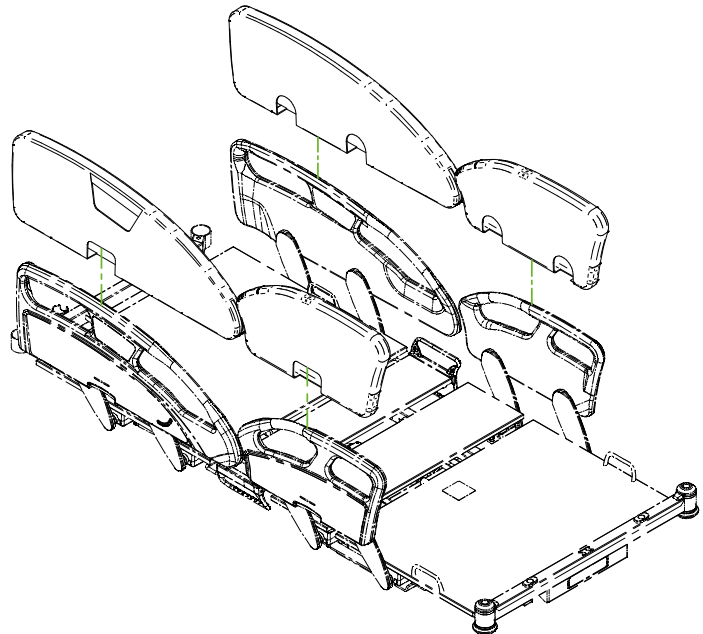
- If the siderail pads accessories are installed on the head end siderails, ensure to properly lock the patient siderails controls. If not avoided, the hidden controls can still function and the bed's sleep surface adjustment can be modified if the motion controls are inadvertently activated. Refer to the [Standard configuration](#) in the [Headboard and footboard](#) section for lockout procedure (page 32).

### Plastic siderails pads - DM64515

Use DM64515 when bed is equipped with plastic head and foot ends siderails.

#### Installation and operation:

1. Properly lock the siderails controls. Refer to the [Standard configuration](#) in the [Headboard and footboard](#) section (page 32).
2. Completely raise the head and foot end siderails.
3. Slip the siderail pad over the head extremity of the siderail, closest to the bed's head. Ensure the clear window is on the outside of the bed.
4. Stretch the pad and slip it over the other extremity of the siderail, towards the center of the bed.
5. For the foot end siderail pads, slip the pad over the foot extremity of the siderail, and stretch towards the center of the bed. Ensure that the siderail pad is installed on the proper side. The side with clearance at the bottom must be on the inner side of the bed in order for the siderail arms to rotate properly.
6. Completely close the zippers situated under the siderails along with the two snap buttons.
7. If patient's condition requires more protection, lock the siderail pads in place. Install a magnetic pin, or any other lock, through the rings situated beside one of the snap buttons. To unlock, use a magnetic key, or any other tool needed.



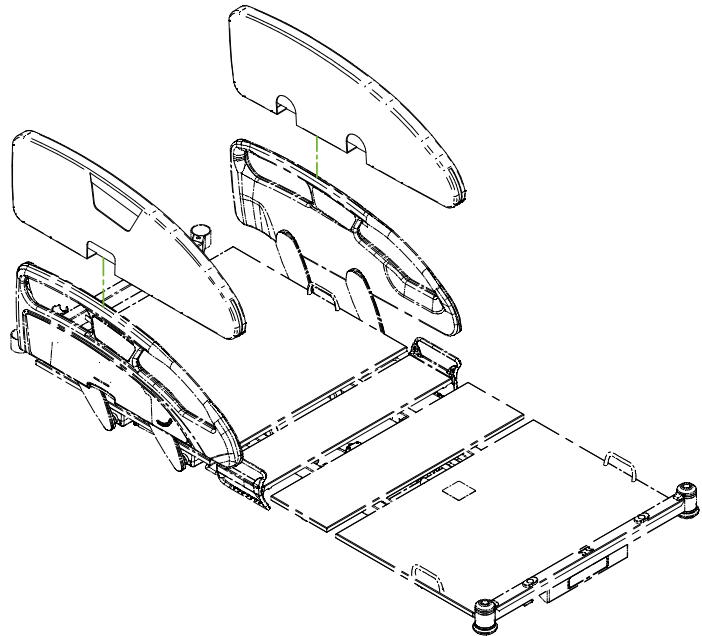


**Mobilisation helper pads - DM64516**

Use DM64516 when bed is equipped with patient mobilisation helper.

**Installation and operation:**

1. Properly lock the siderails controls. Refer to the [Standard configuration](#) in the [Headboard and footboard](#) section (page 32).
2. Completely raise the head end siderails.
3. Slip the siderail pad over the head extremity of the siderail, closest to the bed's head. Ensure the clear window is on the outside of the bed.
4. Stretch the pad and slip it over the other extremity of the siderail, towards the center of the bed.
5. Completely close the zippers situated under the siderails along with the two snap buttons.
6. If patient's condition requires more protection, lock the siderail pads in place. Install a magnetic pin, or any other lock, through the rings situated beside one of the snap buttons. To unlock, use a magnetic key, or any other tool needed.



## Fixed IV pole 3/4" diameter - FA64506

The fixed IV pole FA64506 is equipped of 2 hanging hooks. Each hanging hook has a capacity of 11 lb/5 kg for a total maximum safe working load of 22 lb/10 kg.

### **ATTENTION**

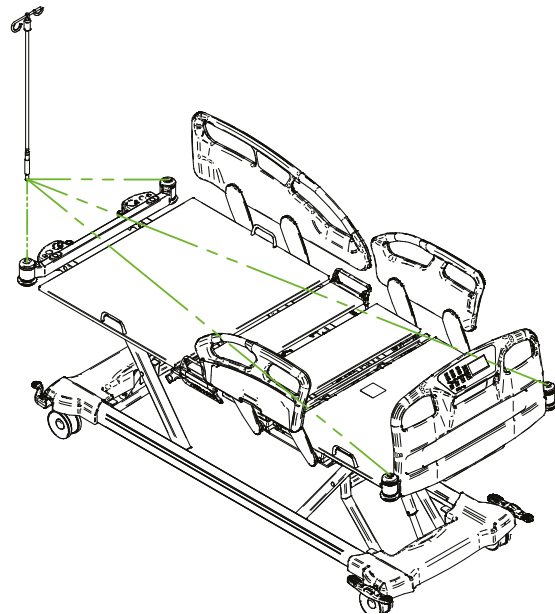
- IV pole total safe working load is 22 lb/10 kg.
- IV pole is not intended to be used as a push bar; if not avoided permanent damages to the product could occur.
- Fully extended fixed IV pole length is 53", consider maximum bed height of 31" if transporting bed, or if lighting or ceiling is low. IV pole will move with bed when elevation system activated. Ensure proper clearance.

### **Installation:**

1. Remove screw from bottom of IV pole.
2. Insert the fixed IV pole in one of 4 sockets, one at each corner bumper - illustrated.
3. Using a # 3 Philips screwdriver, fixe IV pole with screw.
4. Ensure IV pole is properly fixed.

### **Operation:**

1. Ensure IV pole is properly fixed.
2. To adjust the height of the IV pole, hold the upper section and turn the clamping ring counterclockwise to loosen the upper section.
3. Adjust the upper section to required height and turn the clamping ring clockwise until upper section is locked.
4. Ensure upper section is properly locked in place.



## Folding IV pole 3/4" diameter - FA64507

The folding IV pole FA64507 is equipped of 2 hanging hooks. Each hanging hook has a capacity of 11 lb / 5 kg for a total maximum safe working load of 22 lb/10 kg.

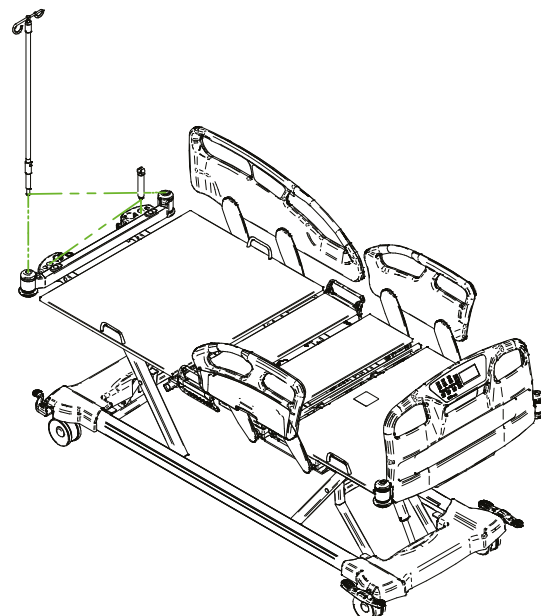


### ATTENTION

- IV pole total safe working load is 22 lb/10 kg.
- IV pole is not intended to be used as a push bar; if not avoided permanent damages to the product could occur.
- Fully extended folding IV pole length is 56", consider maximum bed height of 31" if transporting bed or if ceiling is low IV pole will move with bed when elevation system activated. Ensure proper clearance.

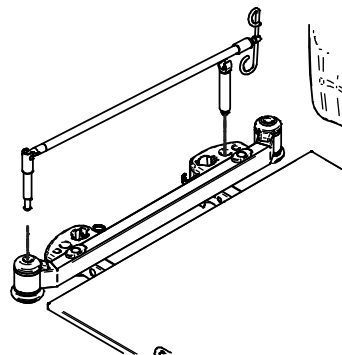
### Installation:

1. Remove screw from bottom of IV pole and from the IV pole storage support.
2. Insert the folding IV pole in one of both corner bumpers of head end and insert the IV pole storage support in the opposite side 1" socket - as illustrated.
3. Using a # 3 Philips screwdriver, fixe IV pole and IV pole storage support with screws.
4. Ensure IV pole is properly fixed and folds properly.



### Operation:

1. Ensure IV pole is properly fixed.
2. To adjust the height of the IV pole, hold the upper section and turn the clamping ring counterclockwise to loosen the upper section.
3. Adjust the upper section to required height and turn the clamping ring clockwise until upper section is locked.
4. Ensure upper section is properly locked in place.
5. Store when not in use.



## 1" fixed IV pole for 3/4" socket - FA64522

The fixed IV pole FA64522 is equipped of 2 hanging hooks. Each hanging hook has a capacity of 20 lb/9 kg for a total maximum safe working load of 40 lb/18 kg.

### **! ATTENTION**

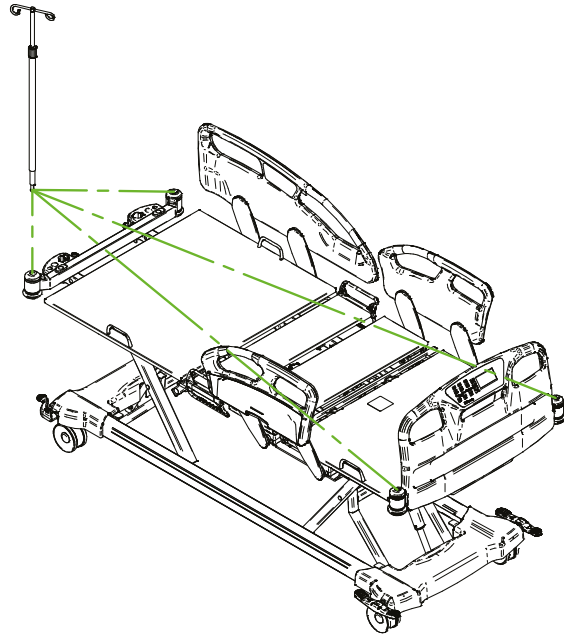
- IV pole total safe working load is 40 lb/18 kg.
- IV pole is not intended to be used as a push bar; if not avoided permanent damages to the product could occur.
- Fully extended fixed IV pole length is 48", consider maximum bed height of 31" if transporting bed, or if lighting or ceiling is low. IV pole will move with bed when elevation system activated. Ensure proper clearance.

### **Installation:**

1. Remove screw from bottom of IV pole.
2. Insert the fixed IV pole in one of four 1" sockets, one in each corner bumpers - as illustrated.
3. Using a # 3 Philips screwdriver, fixe IV pole with screw.
4. Ensure IV pole is properly fixed.

### **Operation:**

1. Ensure IV pole is properly fixed.
2. To adjust the height of the IV pole, hold the upper section and turn the clamping ring counterclockwise to loosen the upper section.
3. Adjust the upper section to required height and turn the clamping ring clockwise until upper section is locked.
4. Ensure upper section is properly locked in place.



## 1" fixed IV pole for 1" socket - FA64508

The fixed IV pole FA64508 is equipped of 2 hanging hooks. Each hanging hook has a capacity of 20 lb/9 kg for a total maximum safe working load of 40 lb/18 kg.

### ATTENTION

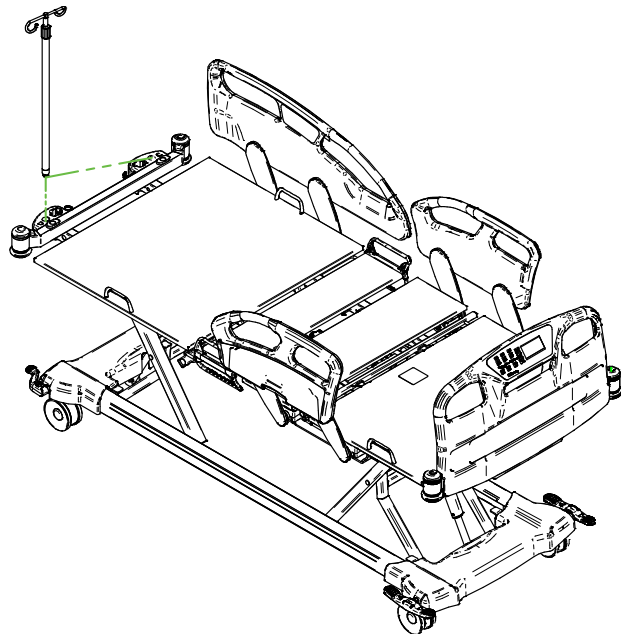
- IV pole total safe working load is 40 lb/18 kg.
- IV pole is not intended to be used as a push bar; if not avoided permanent damages to the product could occur.
- Fully extended fixed IV pole length is 46", consider maximum bed height of 31" if transporting bed, or if lighting or ceiling is low. IV pole will move with bed when elevation system activated. Ensure proper clearance.

### Installation:

1. Remove screw from bottom of IV pole.
2. Insert the fixed IV pole in one of two 1" sockets.
3. Using a #3 Philips screwdriver, fixe IV pole with screw.
4. Ensure IV pole is properly fixed.

### Operation:

1. Ensure IV pole is properly fixed.
2. To adjust the height of the IV pole, hold the upper section and turn the clamping ring counterclockwise to loosen the upper section.
3. Adjust the upper section to required height and turn the clamping ring clockwise until upper section is locked.
4. Ensure upper section is properly locked in place.



## Left 1" folding IV pole for 1" socket - FA64521

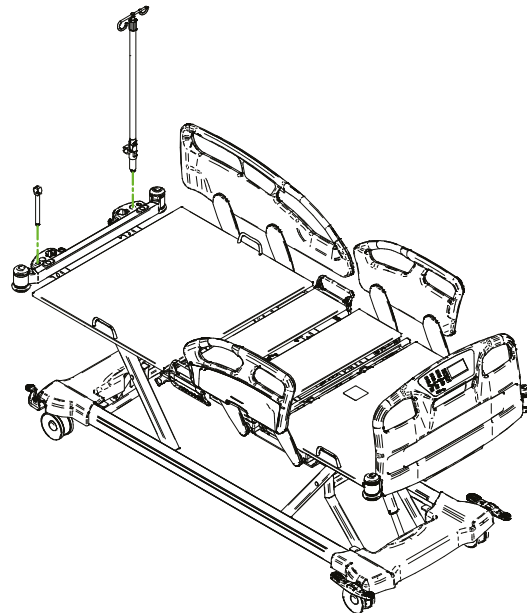
The folding IV pole FA64521 is equipped of 2 hanging hooks. Each hanging hook has a capacity of 15 lb/6.8 kg for a total maximum safe working load of 30 lb/13.6 kg. The left folding IV pole FA64521 can be combined to the right folding IV pole FA64523 for additional hooks.

### ⚠ ATTENTION

- IV pole total safe working load is 30 lb/13.6 kg.
- IV pole is not intended to be used as a push bar; if not avoided permanent damages to the product could occur.
- Fully extended folding IV pole length is 51", consider maximum bed height of 31" if transporting bed or if ceiling is low. IV pole will move with bed when elevation system activated. Ensure proper clearance.
- When used simultaneously, the FA64521 and FA64523 exceed of 1/4" at head end of the bed once folded. Use of roller bumpers is recommended in order to prevent potential damages to the walls.

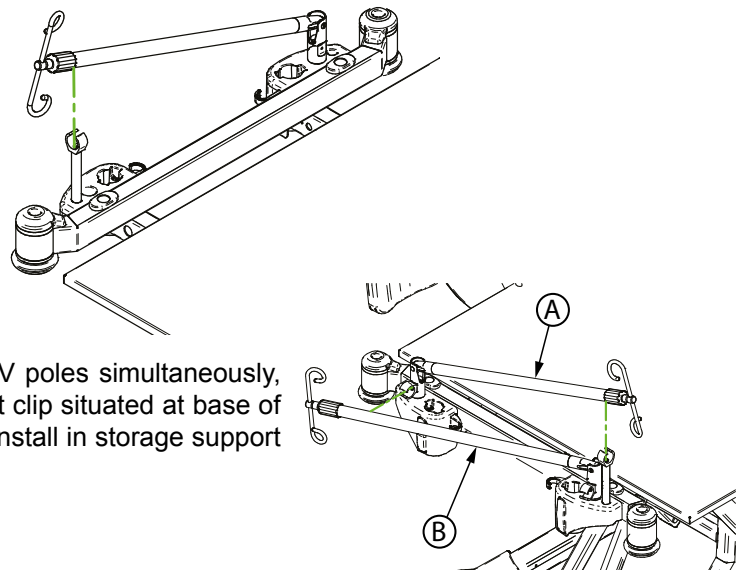
### Installation:

1. Remove screw from bottom of IV pole and from the IV pole storage support.
2. Insert the folding IV pole in the 1" left socket at head of the bed. Then insert the folding IV pole storage support in the opposite side 5/8" socket - as illustrated.
3. Using a # 3 Philips screwdriver, fixe IV pole and IV pole storage support with screws.
4. Ensure IV pole is properly fixed and folds properly.



### Operation:

1. Ensure IV pole is properly fixed.
2. To adjust the height of the IV pole, hold the upper section and turn the clamping ring counterclockwise to loosen the upper section.
3. Adjust the upper section to required height and turn the clamping ring clockwise until upper section is locked.
4. Ensure upper section is properly locked in place.
5. Store when not in use.
6. If applicable, when in use of two folding 1" IV poles simultaneously, fold one of the poles (A) and install in support clip situated at base of opposite pole. Fold the second pole (B) and install in storage support on opposite side.



## Right 1" folding IV pole for 1" socket - FA64523

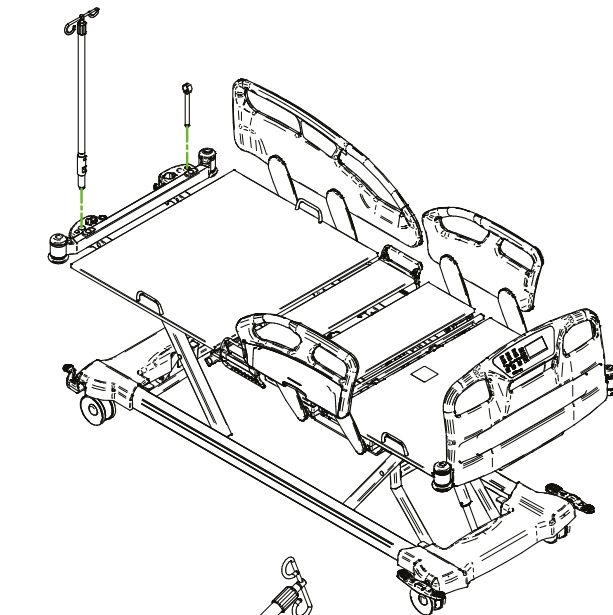
The folding IV pole FA64523 is equipped of 2 hanging hooks. Each hanging hook has a capacity of 15 lb/6.8 kg for a total maximum safe working load of 30 lb/13.6 kg. The left folding IV pole FA64521 can be combined to the right folding IV pole FA64523 for additional hooks.

### ATTENTION

- IV pole total safe working load is 30 lb/13.6 kg.
- IV pole is not intended to be used as a push bar; if not avoided permanent damages to the product could occur.
- Fully extended folding IV pole length is 51", consider maximum bed height of 31" if transporting bed or if ceiling is low. IV pole will move with bed when elevation system activated. Ensure proper clearance.
- When used simultaneously, the FA64521 and FA64523 exceed of 1/4" at head end of the bed once folded. Use of roller bumpers is recommended in order to prevent potential damages to the walls.

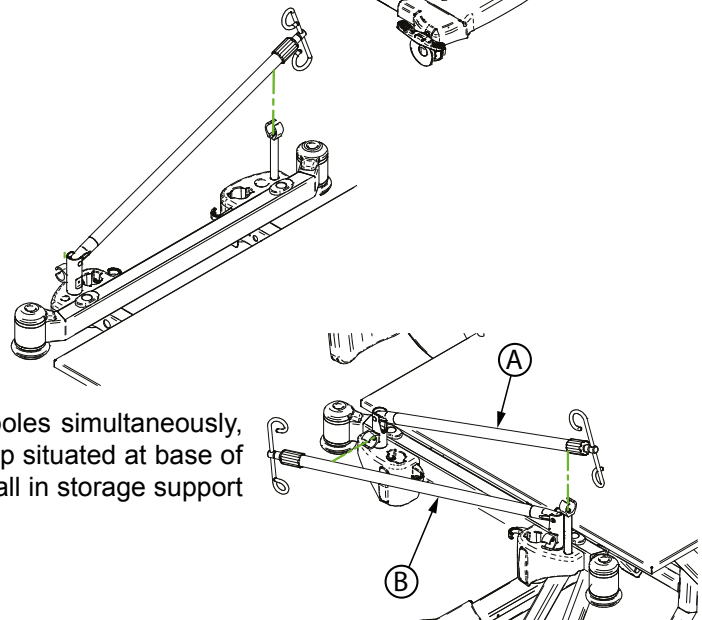
### Installation:

1. Remove screw from bottom of IV pole and from the IV pole storage support.
2. Insert the folding IV pole in 1" right socket at head of the bed. Then insert the folding IV pole storage support in the opposite side 5/8" socket - as illustrated.
3. Using a # 3 Philips screwdriver, fixe IV pole and IV pole storage support with screws.
4. Ensure IV pole is properly fixed and folds properly.



### Operation:

1. Ensure IV pole is properly fixed.
2. To adjust the height of the IV pole, hold the upper section and turn the clamping ring counterclockwise to loosen the upper section.
3. Adjust the upper section to required height and turn the clamping ring clockwise until upper section is locked.
4. Ensure upper section is properly locked in place.
5. Store when not in use.
6. If applicable, when in use of two folding 1" IV poles simultaneously, fold one of the poles (A) and install in support clip situated at base of opposite pole. Fold the second pole (B) and install in storage support on opposite side.



## Removable pump holder - FA64513

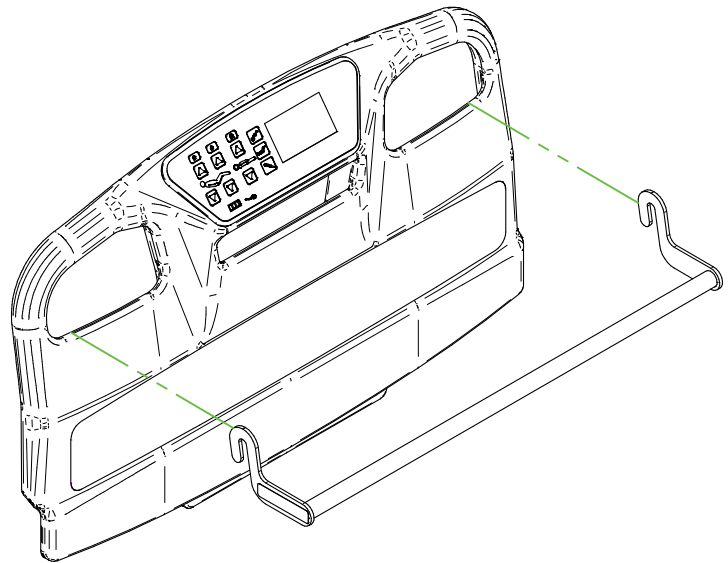
The removable pump holder FA64513 is intended to be installed on the footboard to support pumps. It has a maximum safe load capacity of 70 lb/31 kg

**⚠ ATTENTION**

- Remove accessory when not in use.

### Installation and removal

1. Insert or remove the removable pump holder in/from the left and right holes located on the footboard.
2. Store if not in use.



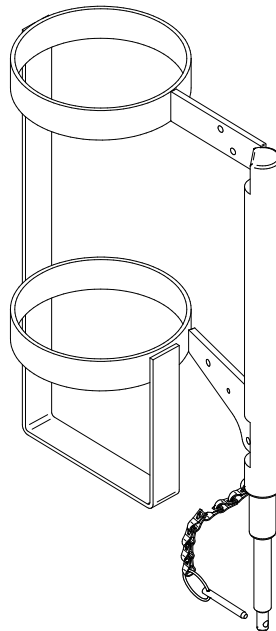
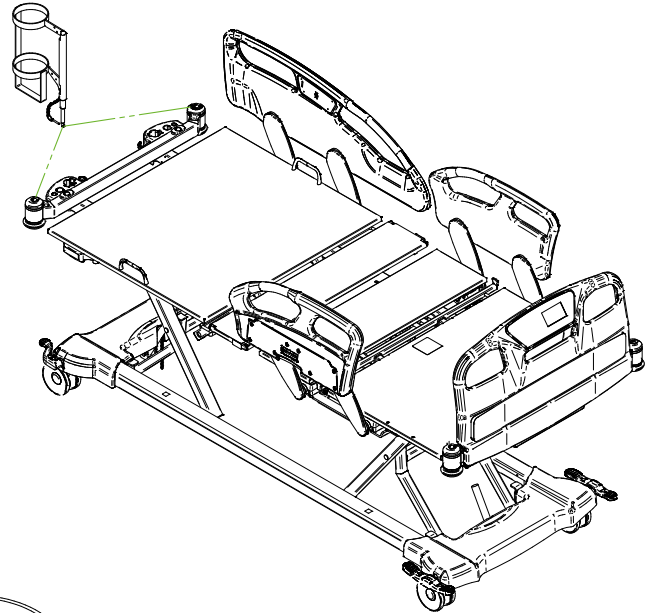


## Oxygen bottle holder - FA64505

The vertical oxygen bottle holder is designed to support an oxygen bottle. It can be installed at the bed head end; it has a maximum safe load capacity of 35 lb/16 kg.

### Installation and operation

1. If applicable, remove the retaining pin from bottom of support bar.
2. Insert the support bar into one of head end corner bumper.
3. Insert the retaining pin into the bottom of the support bar.
4. Ensure oxygen bottle holder is properly installed and secured.



## Oxygen bottle holder with clamp - FA64527

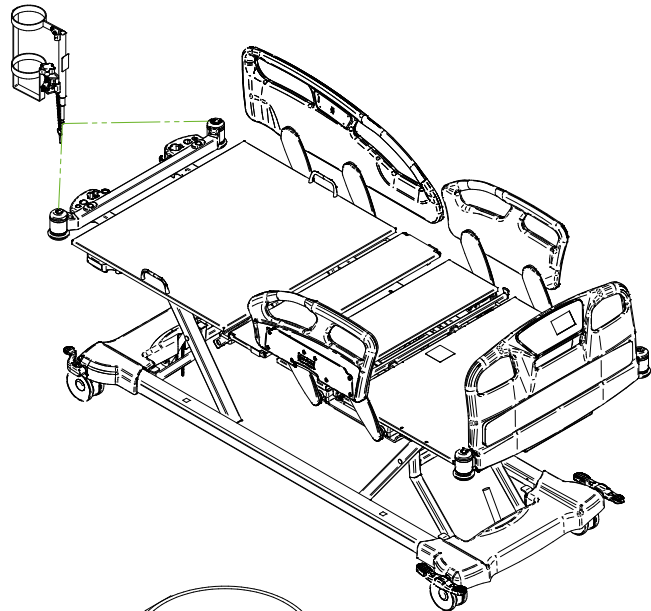
The oxygen bottle holder with clamp is designed to hold an oxygen bottle. It can be installed at the head end of the bed, in the corner bumpers sockets. The clamp situated on the oxygen bottle holder is designed to hold on a pole of 3/4" or 1" diameter. It has a maximum safe working load of 35 lb/16 kg.

### ⚠ ATTENTION

- When oxygen bottle holder is installed on a pole using the clamp, the total safe working load of each accessory must be respected at all time. Refer to the corresponding specifications of each accessory for proper safe working load value.
- When the oxygen bottle holder accessory is installed on a pole inserted in the accessory sockets at head end of bed, the length of the bed is increased. Ensure to leave 9"/22.9 cm between head end of bed and the wall to protect the wall.

### Installation and operation on corner bumpers:

1. If applicable, remove retaining pin from bottom of support bar.
2. Insert the support bar into one of the head end corner bumper.
3. Insert the retaining pin into the bottom of the support bar.
4. Ensure oxygen bottle holder with clamp is properly installed and secured.

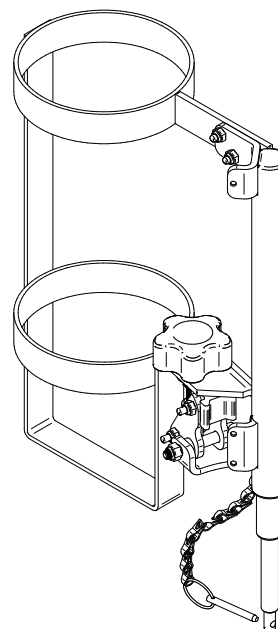


### ⚠ ATTENTION

- When accessory is installed in corner bumpers, ensure to never use the clamp situated on bottle holder to hold other accessories. If not avoided, situation could result in damages to the product or bed.

### Installation and operation on clamp:

1. Open the clamp by using the handle situated on the lower section of the oxygen bottle holder.
2. Install the holder on the pole by placing the clamp around the pole.
3. Using the handle, tighten the clamp to fix the oxygen bottle holder in place.
4. Ensure the oxygen bottle holder is properly installed and secured.



## Patient helper - 299-0100

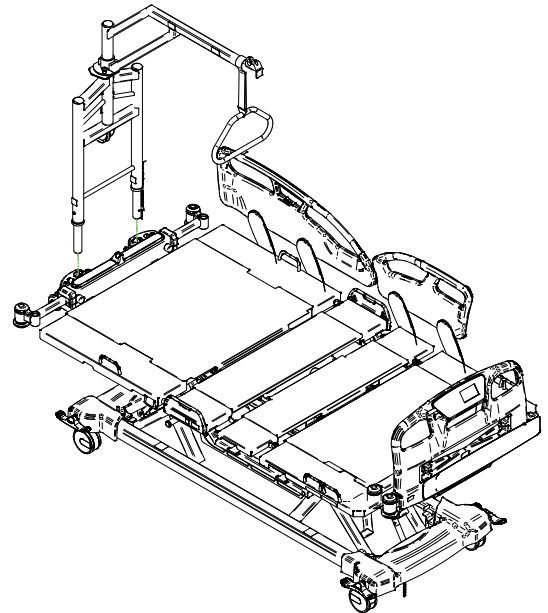
The patient helper, model 299-0100, is designed to be used with the ook-snow ALL bed only and is intended to provide support to the patient for repositioning when in bed. It is not designed to support patient when getting in or out of bed. The maximum load capacity of the patient helper is 300 lb/136 kg.

### **WARNING**

- The maximum load capacity of the patient helper is 300 lb/136 kg.
- Ensure that no load is applied on the patient helper when placed in storage position, at a 90° angle. If not avoided, the weight applied on the patient helper could tilt the bed over, resulting in severe to moderate injuries and damages to environment and/or product.
- The patient helper is not designed to support patient when getting in or out of bed. Abusive usage could result in bed tipping over and could result in moderate to severe injuries and damages to product and/or environment.
- Ensure equipment on bed does not come in contact with ceiling or ceiling lights.

### **Installation:**

1. Insert the lower section into both 1 1/2" sockets located at head end. The plunger on the lower section of the patient helper must be on the outside of the bed.
2. Ensure it correctly and completely slides into sockets. If not, slightly move/slide the right leg of the patient helper from left to right to help insert in the socket. Secure with the pin.
3. Pull the plunger located on the lower section and insert the upper section.
4. Release plunger. Ensure upper section is properly locked and secured in place.

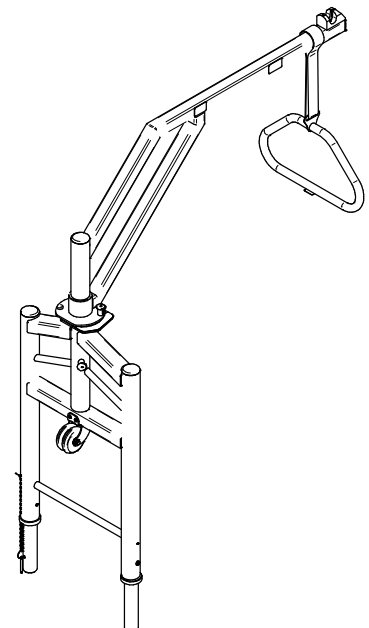


### **ATTENTION**

- Ensure the plunger located on the lower section is properly secured to the upper section when installed. If not, the upper section of the patient helper could rotate and situation could result in minor to moderate injuries and damages to product and/or environment.

### **Operation:**

1. Ensure patient helper is properly fixed.
2. To adjust the position of the patient helper, pull the plunger located on the upper section.
3. Pivot to adjust in range of 30° on left side and 30° on right side. Release plunger.
4. To adjust the height of the patient helper handle, shorten or lengthen the strap.
5. Ensure the handle is properly attached to upper section.
6. Store when not in use.



## Urinal holder - FA64525

The urinal holder is designed to support a urinal bottle reachable by the patient. It can be installed at either one of the head end siderails or patient mobilization helper. The maximum safe load capacity is of 20 lb/9 kg.

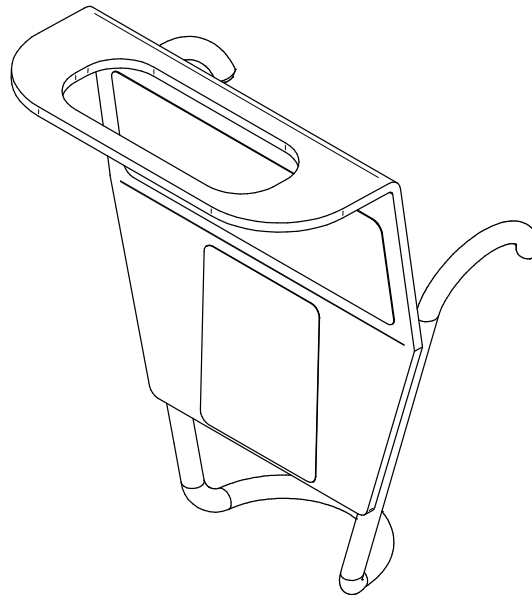
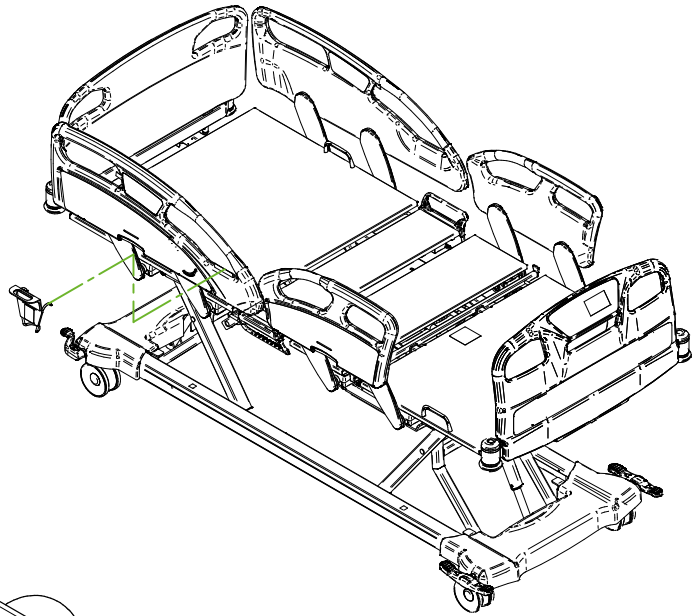
### **IMPORTANT**

The urinal installed on the support could come in contact with the ground if the bed is at minimum height and siderails are completely lowered. If use of the scale is required, ensure that the bottle, or any other part of the bed, is not interfering with any item of the environment.

---

### **Installation and operation:**

1. Install the urinal holder at one of the two head end siderails or patient mobilization helper.
2. Ensure that the urinal holder is properly fixed.
3. Hang the urinal bottle to the holder.



## Removable patient control 2 functions - 299-0150

The two functions patient control is intended to allow patient or healthcare professionals to adjust the backrest section and foot section of the bed. Pictograms inform the user of positioning possibilities and features. Do not use sharp or small pointed objects on membranes to avoid permanent damages.

### **ATTENTION**

- Patient monitoring and patient authorized bed functionalities are the responsibility of the facility.

### **IMPORTANT**

Refer to the [pictograms and definitions](#) section (page 11) to support identification.

The control lock from the footboard control will lock the functions of the patient control.

#### **To plug/unplug patient control:**

1. Plug or unplug patient control in proper outlet situated under seat section on the left side of the bed.
2. Use the clip attached to the cable to fix the cable on the central mattress retainer. Then, hook the patient control on the siderail or fix it to the bed sheets with the attached clip to store.

#### **To activate patient control:**

1. Press and hold button.
2. Release button when the required position is reached.
3. Store and clip patient control on siderail or on bed sheets.



## Removable patient control 6 functions - 200-0151

The six functions patient control is intended to allow the patient and the healthcare professionals to adjust the backrest section, foot section, chair positioning, patient sleep surface flat positioning, elevation system and patient sleep surface inclination to help with patient repositioning towards head end of the bed. Pictograms inform the user of positioning possibilities and features. In addition of standard configuration, one-touch buttons offer chair positioning and patient sleep surface flat positioning. Refer to the [pictograms and definitions](#) section (page 11) to support identification. Do not use sharp or small pointed objects on membranes to avoid permanent damages.

### **WARNING**

- Always ensure that patient is capable of proper usage of all functionalities offered on this control.
- Always ensure that bed is clear of interference prior to any operation of the bed.

### **ATTENTION**

- Patient monitoring and patient authorized bed functionalities are the responsibility of the facility.

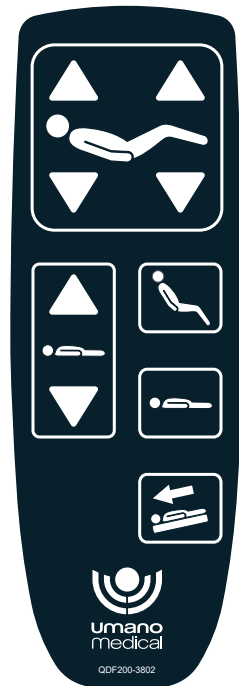
### **IMPORTANT**

The control lock from the footboard control will lock the functions of the patient control.

Refer to the [pictograms and definitions](#) section (page 11) to support identification.

### **To activate patient control:**

1. Ensure bed is powered up so that all functions are working properly.
1. Press and hold button.
2. Release button when the required position is reached.
3. Store and clip patient control on siderail upper tube.



# PREVENTIVE MAINTENANCE

---

A preventive maintenance is required annually for this equipment. This maintenance program is based on a normal use. Preventive maintenance frequency shall be increased if required. A minimum of one (1) annual verification of all items of the [Preventive maintenance annual checklist](#) (page 70) is recommended.



## WARNING

- Only trained and authorized personnel shall perform preventive maintenance and servicing on this equipment. If not avoided, situation could result in personal injury or permanent equipment damage.
- Only trained and qualified personnel shall perform preventive maintenance and servicing on this equipment. If not avoided, situation could result in electrical or electronic misconnection and lead to shock or fire hazards.

## IMPORTANT

Batteries have an intended lifetime of 5 years and should be replaced after 5 years or sooner, depending on battery backup usage.

---

If device is left unplugged for a long period, batteries will slowly drain. Do not fully drain batteries.

---

Batteries should be charged every 3 months. Plug the bed to a supply main with protective ground or to a hospital grade outlet that is protectively grounded for a minimum of 6 hours.

---

Ensure that battery is properly charged prior to perform the preventive maintenance verification. If applicable, secure any bed section that would have to be lifted during servicing procedures.

---

## Preventive maintenance annual checklist

Use copy of this sheet for your records. Note if adjustment or repair were required. Keep on file.

Serial Number and Location :

---

Date of preventive maintenance:

---

Preventive maintenance performed by:

---

- Overall condition
- Fasteners
- Labels
- Casters
- Ground chain
- Brake, neutral and steer pedal
- Power cord
- Nightlight
- Actuators
- Battery
- Bumpers (if applicable)
- Mattress retainers
- Siderails mechanism
- Siderails control, membranes and LED lights (if applicable)
- Headboard and footboard
- Bed extender (if applicable)
- CPR (if applicable)
- Footboard control functions and LED
- Display screen (if applicable)
- Mattress
- Compatible accessories
- Zero of Bed Exit
- Nurse call (if applicable)
- Scale calibration (if applicable)
- Current leakage and grounding
- Patient control (if applicable)
- Motion interrupt (if applicable)
- Bed width extension system including manual handle

Notes, adjustments, repairs:

---

---



# CLEANING

---

A potential of electric shock hazard exists with a power supplied bed. Ensure to unplug power cord of power outlet before cleaning. Do not put water or solution directly in or on connectors. If applicable, secure any bed section that would have to be lifted during cleaning procedures.

This bed and compatible accessories are not designed to be steam cleaned, hosed off or ultrasonically cleaned. Do not immerse any part of this bed or any accessory in any liquid. Permanent damages could occur.

All compatible accessories, except mattress and mattress extension, can be cleaned and disinfected the same way as the bed.

All equipments connected to the auxiliary outlets shall be cleaned and disinfected as per the manufacturer instructions.

## Cleaning

Hand wash all surfaces with a soft cloth moistened with warm soapy water. Avoid build up and over saturation of water or any cleaning solution. Ensure that cleaning solution does not stay on surface longer than manufacturer's cleaning solution instructions. Always wipe clean and dry surfaces.

## Disinfection

Bed and accessories should be disinfected between patient uses. This bed and compatible accessories are designed to be disinfected with standard commercial solutions. As guidance, here are active concentrations of tested ingredients:

- ammonium quaternary solutions 1000ppm
- sodium hypochlorite solutions 6000ppm
- glycol ethers solutions 10%
- ethyl alcohol 5%
- hydrogen peroxide 1%

## Mattress, mattress extension and siderail pads cleaning and care

Mattress and siderail pads should be cleaned between patient uses. Refer to manufacturer's instructions for cleaning. Inspect mattress and siderail pads after use and discontinue if any cracks or rips are found as fluid may have contaminated the mattress and/or the siderail pads.



# WARRANTY

---

The **Umano Medical** beds are designed for a 10-year service life under normal use, conditions, and with periodic maintenance as recommended in Maintenance Manual.

## Shipment receipt

The purchaser should examine the shipment upon receipt. **Umano Medical** must be notified by the purchaser within 30 days of invoice of any short shipment, or any order-mistake.

Apparent shipment damage must be noted on delivery receipt and notified immediately to **Umano Medical**. A claim in the amount of replacement cost will be initiated with the carrier for the damages incurred. If any damage is found, the purchaser must notify **Umano Medical** within 15 days of shipment receipt.

## Product return

Merchandise cannot be returned without approval from **Umano Medical**. An authorization number will be provided which must be printed on the packaging of the returned merchandise. Modified or discontinued products are not subject to return.

## Limited warranty

**Umano Medical** warrants to the original purchaser that the products shall be free of structural defects in material and workmanship for a determined period after date of delivery; refer to the purchase documentation for information about the available warranty time periods. **Umano Medical's** obligation under this warranty is expressly limited to supplying replacement parts and/or service for, or replacing, at its option, any product that is, in the sole discretion of **Umano Medical**, found to be defective. In addition, **Umano Medical** warrants for life to the original purchaser that the welds on its products will be free from structural defects.

Any repair using non-authorized or non-original parts and any product alteration or modification will void this warranty.

## Parts and service

Original service parts are available for the lifetime of the product. Contact **Umano Medical** at:

**Umano Medical Inc.**

230 boulevard Nilus-Leclerc, L'Islet QC G0R 2C0 CANADA

T: (418) 247-3986

T: (844) 409-4030

[information@umanomedical.com](mailto:information@umanomedical.com)

# INDEX

---

## A

Angle indicator 6

Auxiliary power outlet 6, 8, 20, 27

## B

Backlight 11

Backrest 7, 30, 32, 34, 48

Battery 22

Bed exit 5, 22, 25, 26

Brake, neutral and steer 6, 24

Bumper 6, 7, 25

## C

Caregiver siderail control 33

Cleaning 16, 71

Communication port 28

CPR release 6, 15, 26

## D

Disinfection 71

Display screen 14, 22, 25, 28, 36

Drainage bag support 6, 24

## F

Footboard 6, 28, 35

Footboard control 6, 22, 35, 36

Frame control 6

## H

Headboard 6, 35

## I

Integrated pump holder 35

IV pole 5, 56, 57, 58, 59, 60, 61

## M

Mattress extension 71

## N

Nightlight 28, 46

Nurse call 19, 22, 26, 32

## O

Oxygen bottle holder 63

## P

Patient control 34, 67, 68

Patient helper 65

Patient restraint location 6, 25

Patient siderail control 6

Power cord 6, 26

Product description 5

Product illustration 6

Product intended use 5

## S

Scale 5, 8, 19, 22, 24, 51

Siderail release handle 30

Sideview light 46

## U

USB 27

## Z

Zeroing 20, 52



**Umano**  
medical

**Umano Medical Inc.**

230 boulevard Nilus-Leclerc  
L'Islet QC G0R 2C0  
CANADA

418-247-3986  
844-409-4030